

The 2007 BMW
Z4 M Roadster
Z4 M Coupe



The Ultimate
Driving Machine®



Take your pulse for a spin.
Up to 8000 rpm.



6500 rpm

7900 rpm

5200 rpm

5500 rpm

5900 rpm

Looking good.
Feeling good-to-go.

7900 rpm

7200 rpm

6500 rpm

5900 rpm

7900 rpm

5500 rpm





7700 rpm

7900 rpm

7500 rpm

7200 rpm

6900 rpm

Handling you can feel
from head to toe.



Get ahead of the pack.
Then stay there.

Own every inch of turf.
Feel how winners everywhere do.



It only stands still for parking —
and for basking in the glory.





M-style design doesn't have to shout to be heard.

1. Door sill trim with M logo. 2. Information display with white-illuminated surrounds on the speedometer and tachometer, and instrument needles illuminated in red. 3. 18" M Double Spoke (Style 224) light-alloy wheels. 4. Dual twin chromed stainless steel exhaust tips. 5. Illuminated gearshift with M logo. 6. Three-spoke leather-wrapped multi-function M sport steering wheel.



Combinations

Upholstery colors	Nappa Leather ¹				M Extended Nappa Leather ²	
	Black	Imola Red	Sepang Bronze Light	Sepang Brown Dark	Black	Sepang Bronze Light
Exterior colors						
300 Alpine White ³	●	●	● ◆		●	● ◆
405 Imola Red ³	●	●	● ◆		●	● ◆
354 Titanium Silver Metallic ⁴	●	● ■		● ◆	●	
A08 Silver Gray Metallic ⁴	● ■	● ■	● ■ ◆	● ■ ◆	● ■	● ■ ◆
A32 Sepang Bronze Metallic ⁴	● ◆		● ◆	● ◆	● ◆	● ◆
A30 Interlagos Blue Metallic ⁴	●		● ◆	● ◆	●	● ◆
A35 Monaco Blue Metallic ⁴	●		● ◆	● ◆	●	● ◆
475 Black Sapphire Metallic ⁴	●	●	● ◆	● ◆	●	● ◆
Interior trims						
4AD Brushed Light Aluminum ⁵						
4ME Madeira Wood ⁶						
4MY Carbon Leather ⁷						

¹ Nappa Leather: Standard.

² M Extended Nappa Leather: Optional.

Z4 M Roadster includes leather-covered door panels, tops of windshield pillars, sun visors, rollover bars and sides of center console.

Z4 M Coupe includes leather-covered door panels, tops of windshield pillars, sun visors and sides of center console.

Not available with Imola Red or Sepang Brown Dark leather upholstery.

³ Non-metallic exterior paint: Standard.

⁴ Metallic exterior paint: Optional.

⁵ Brushed Light Aluminum interior trim: Standard.

⁶ Madeira Wood interior trim: Optional.

⁷ Carbon Leather interior trim: No-cost option.

Z4 M Roadster softtop colors

● 388 Black (standard)

■ 389 Gray (optional)

◆ 394 Dark Beige (optional)

Equipment

Performance and efficiency	Z4 M Roadster	Z4 M Coupe
3.2-liter dual overhead cam (DOHC), 24-valve inline 6-cylinder engine with Double-VANOS steplessly variable valve timing	●	●
6 individual throttles, electronically controlled (drive-by-wire), with M Dynamic Driving Control (throttle control)	●	●
Digital Motor Electronics (DME) with on-board diagnostics	●	●
Distributorless electronic ignition system	●	●
6-speed manual transmission with heavy-duty clutch	●	●

Handling and braking	Z4 M Roadster	Z4 M Coupe
Dynamic Stability Control (DSC)	●	●
High-rigidity roadster body/chassis unit with aluminum hood	●	●
Strut-type front suspension with forged-aluminum lower arms and hydraulic cushions	●	●
Central Link rear suspension with cast-aluminum upper transverse links	●	●
Acoustically decoupled final drive with hydraulic rear mount	●	●
Rack-and-pinion hydraulic power steering	●	●
4-wheel anti-lock disc brakes (ABS), ventilated front and rear, vacuum-assisted	●	●
Front and rear anti-roll (stabilizer) bars	●	●
Twin-tube gas-pressure shock absorbers	●	●

Instrumentation and controls	Z4 M Roadster	Z4 M Coupe
Electronic analog instrumentation	●	●
LCD main and trip odometers	●	●
Service Interval Indicator with miles-to-service readout	●	●
4-function on-board computer	●	●
Power windows with "one-touch" push-pull open/close for driver	●	●
Automatic climate control with activated-charcoal micro-filter ventilation and automatic recirculation control	●	●
BMW on-board navigation system	○	○
Tire Pressure Monitor	●	●

- = Standard
- = Optional
- ◇ = Included in Premium Package
- △ = BMW center-installed accessory

Equipment

Exterior and aerodynamics	Z4 M Roadster	Z4 M Coupe
18x8.0 front/18x9.0 rear M Double Spoke (Style 224M) light-alloy wheels and 225/45R-18 front, 255/40R-18 rear performance tires ¹	●	●
Xenon headlights with autoleveling	●	●
Heated windshield-washer jets	●	●
Heated outside mirrors	●	●
White side-turn indicator lenses behind BMW logo roundels	●	●
Metallic paint	○	○
Headlight washers	●	●
Fully automatic power softtop	●	
Heated glass rear window	●	●
Twin dual M exhaust tips	●	●

Comfort and convenience	Z4 M Roadster	Z4 M Coupe
Remote entry with multi-function remote control, including remote trunk or hatchback release	●	●
Courtesy lights with fade-in/fade-out feature, and actuation from remote control	●	●
Cruise control	◇	◇
Glove compartment; storage space in doors and behind seats	●	●
Elastic nets on passenger side of center tunnel and on back of each seat (Storage Package)	◇	◇
Dual power outside mirrors	●	●
Automatic-dimming interior and exterior mirrors	◇	◇
M Sport seats with pronounced side bolsters for lateral support	●	●
8-way power front seats with 3-way driver's-seat memory	○/◇	○/◇
Three-spoke leather-covered multi-function M sport steering wheel	●	●
3-stage, thermostatically controlled heated seats	○	○
Dual cupholders	●	●
Electric interior trunk/hatchback release	●	●
Variable softtop trunk compartment	●	
Hardtop prep (required for accessory hardtop installation)	○	

¹ Z4 M Roadsters and Z4 M Coupes are not equipped with a spare tire and wheel. Performance tires not recommended for driving in snow and ice conditions. Due to low-profile tires, please note: wheels, tires and suspension parts are more susceptible to road hazard and consequential damages.

Equipment

Audio	Z4 M Roadster	Z4 M Coupe
Anti-theft AM/FM/CD audio system with Radio Data System and 10 speakers	●	●
THX™ Certified premium audio system with upgraded audio power, Carver technology and 10 audiophile-quality speakers, including 2 subwoofers	◇	◇
Pre-wiring for CD changer and alarm system	●	●
iPod Seamless Integrated System ²	△	△
SIRIUS Satellite Radio ³	△	△

Safety and security	Z4 M Roadster	Z4 M Coupe
Dual-airbag Supplementary Restraint System with 2-stage “smart” airbags	●	●
Automatic safety-belt pretensioners and force limiters	●	●
Isofix attachment of child-restraint safety seat	●	●
Active Knee Protection	●	●
Side-impact airbags	●	●
Rollover Protection	●	●
Battery Safety Terminal and automatic fuel-pump shutoff upon severe accident impact	●	●
Intelligent Safety and Information System (ISIS) for deployment of safety systems	●	●
Central locking system with double-lock anti-theft feature, selective unlocking and interior locking switch	●	●
Coded Driveaway Protection	●	●
Adaptive Brake Lights	●	●
Cornering Brake Control	●	●
BMW Assist™ ³ with Bluetooth® wireless technology for hands-free calling (with Bluetooth enabled mobile phone), phonebook downloading and speech recognition capabilities	○/◇	○/◇

BMW Services	Z4 M Roadster	Z4 M Coupe
BMW Ultimate Service™ ⁴	●	●

- = Standard
- = Optional
- ◇ = Included in Premium Package
- △ = BMW center-installed accessory

²See your authorized BMW center for details and limitations when ordering Aftersales/Accessories listed.

³See page 42 for details on standard and optional services available with BMW Assist.

⁴For full details on BMW Ultimate Service, including exclusions and limitations, see page 42.

Premium Package	Z4 M Roadster	Z4 M Coupe
8-way power front seats with 3-way driver's-seat memory	◇	◇
BMW Assist™ ³ with Bluetooth® wireless technology for hands-free calling (with Bluetooth enabled mobile phone), phonebook downloading and speech recognition capabilities	◇	◇
Cruise Control	◇	◇
Elastic nets on passenger side of center tunnel and on back of each seat (Storage Package)	◇	◇
Automatic-dimming interior and exterior mirrors	◇	◇
THX™ Certified premium audio system with upgraded audio power, Carver technology and 10 audiophile-quality speakers, including 2 subwoofers	◇	◇

BMW and the environment.

BMW is a strong proponent of the environment and social responsibility. It is important to manage the earth's resources responsibly, and not jeopardize the needs of future generations. That is why BMW makes vehicles that minimize adverse environmental impact, from production (pollution prevention and waste minimization at the plant) through owner use (low emissions) to eventual disposal (easy drainability of all fluid-related components and easy neutralization of all pyrotechnic devices).

This effort has been recognized worldwide, and as a result, we are pleased to have received numerous environmental honors. In the U.S., for example, the Environmental Protection Agency accepted BMW's Spartanburg, SC production and manufacturing facility as a charter member of the agency's National Environmental Performance Track. Internationally, BMW AG – the parent company of both BMW of North America and BMW Manufacturing Co., Spartanburg, SC – was the first automotive company to be represented on the Dow Jones Sustainability Group Index, and has remained on the Index ever since. At BMW, we strive for high performance in everything we do.

U.S. Distributor: BMW of North America, LLC, Woodcliff Lake, NJ 07677. All illustrations and specifications contained in this brochure are based on the latest product information available at the time of printing. BMW reserves the right to make changes at any time, without notice, in colors, materials, equipment, specifications and models. BMW may, subject to legal requirements, determine the Model Year designation of its vehicles. The Model Year designation on any particular model may be longer or shorter than 12 months. Some vehicles pictured may contain non-U.S. equipment. Some models may be shown with optional equipment. While BMW NA makes diligent efforts to provide accurate information in this brochure, there is no guarantee or warranty of accuracy. Furthermore, we do not assume any liability for the accuracy or completeness of information presented. This brochure shall not be used or relied upon as a substitute for information that is available from your BMW center. Further information can be obtained from your authorized BMW center or bmwusa.com.

©2006 BMW of North America, LLC. Not to be reproduced wholly or in part without written permission of BMW NA. The BMW name and logo are registered trademarks. The Bluetooth word mark and logos are owned by the Bluetooth SIG, Inc. and any use of such marks by BMW is under license. Other trademarks and trade names are those of their respective owners.

Technical data

Weight		Z4 M Roadster	Z4 M Coupe
Unladen weight	lb	3197	3230
Weight distribution (unladen)			
Front	%	49.3	50.2
Rear	%	51.7	49.8

Engine		Z4 M Roadster	Z4 M Coupe
Cylinders/valves per cylinder		6/4	6/4
Displacement	cc	3246	3246
Bore/stroke	inch	3.58/3.43	3.58/3.43
Nominal output/rpm	hp	330/7900	330/7900
Max torque/rpm	lb-ft	262/4900	262/4900
Compression ratio	:1	11.5	11.5

Transmission		Z4 M Roadster	Z4 M Coupe
Standard transmission ratios	I/II:1	4.35/2.50	4.35/2.50
	III/IV:1	1.67/1.23	1.67/1.23
	V/VI/R:1	1.00/0.85/3.93	1.00/0.85/3.93
Final drive ratio	:1	3.62	3.62

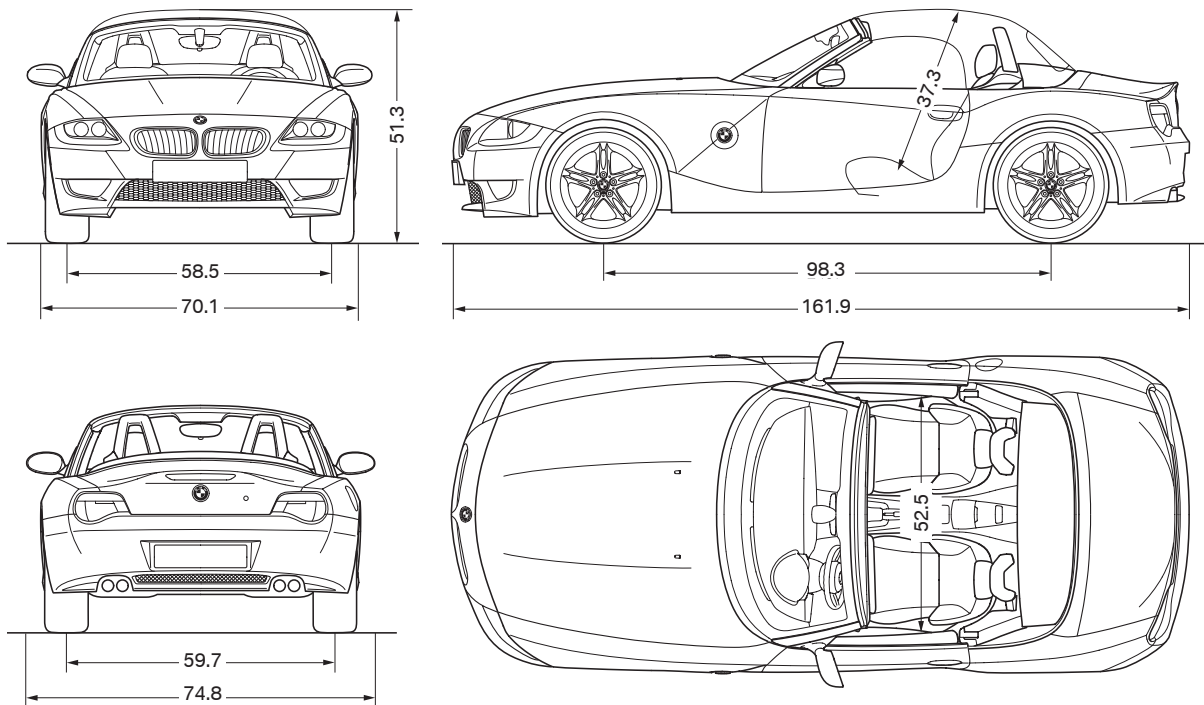
Performance		Z4 M Roadster	Z4 M Coupe
Drag coefficient	C _d	0.38	0.35
Top speed ¹	mph	155	155
Acceleration 0-60 ²	sec	4.9	4.9

Fuel consumption³		Z4 M Roadster	Z4 M Coupe
City	mpg	TBD	TBD
Highway	mpg	TBD	TBD
Tank capacity (approx.)	gal	14.5	14.5

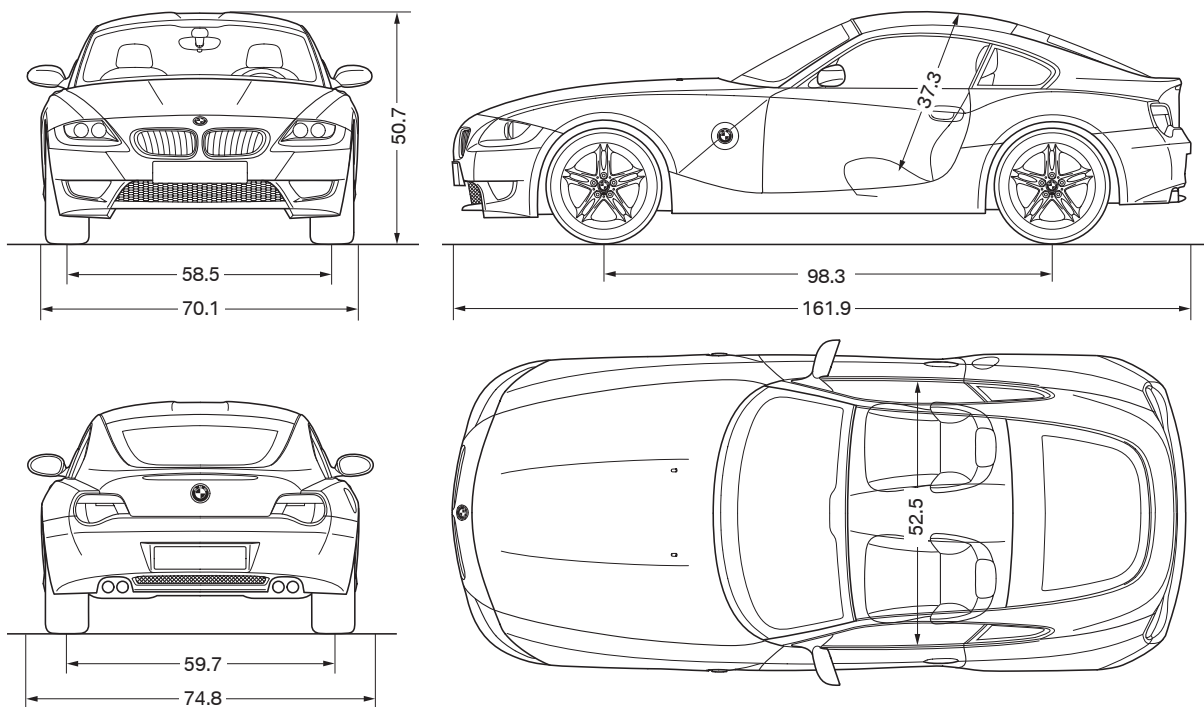
Wheels⁴		Z4 M Roadster	Z4 M Coupe
Tire dimensions ⁵			
	front	225/45 R-18	225/45 ZR 18
	rear	255/40 R-18	255/40 ZR 18
Wheel dimensions			
	front	8.0 x 18	8.0 x 18
	rear	9.0 x 18	9.0 x 18
Material		light-alloy	light-alloy

Brakes		Z4 M Roadster	Z4 M Coupe
Front diameter	inch	13.6	13.6
Rear diameter	inch	12.9	12.9

BMW Z4 M Roadster



BMW Z4 M Coupe



All dimensions shown in inches.

¹Top speed limited electronically.

²BMW test results. Actual acceleration results may vary depending on specification of vehicle, road and environmental conditions, testing procedures and driving style. These results should be used for comparison only and verification should not be attempted on public roads. **BMW urges you to obey all posted speed laws and always wear safety belts.**

³Fuel consumption figures not available at time of printing. Please log on to bmwusa.com for latest fuel consumption testing results.

⁴Z4 M Roadsters and Z4 M Coupes are not equipped with a spare tire and wheel.

⁵Due to low-profile tires, please note: wheels, tires and suspension parts are more susceptible to road hazard and consequential damages. Performance tires not recommended for driving in snow and ice conditions.