

MALIBU 2016

CHEVROLET





Malibu Premier in Iridescent Pearl Tricoat (extra-cost color) with available features.

ALL-NEW 2016 MALIBU. ANYTHING BUT ORDINARY.

Presenting Malibu and Malibu Hybrid¹ for 2016 – the newest expression of Chevrolet excellence. Nowhere is that expression more apparent than the sleek, sculpted exterior and the refined interior that offers exceptional comfort.

It's also shown in outstanding fuel efficiency² across the lineup. In the available advanced safety technology that helps prevent and protect you from a potential collision. And available Apple CarPlay™ and Android Auto™ compatibility³ that makes your smartphone connection smart and simple.

The 2016 Malibu. It's extraordinary every day.

FIND NEW ROADS™

¹ Available Spring 2016. ² EPA-estimated MPG city/highway: 1.5L 27/37, 2.0L 22/33, Hybrid 1.8L 47/46. ³ Vehicle user interfaces are products of Apple and Google and their terms and privacy statements apply. Requires compatible smartphone and data plan rates apply. Apple CarPlay is a trademark of Apple Inc. Android Auto is a trademark of Google Inc.

EXTERIOR DESIGN

**STYLE WAS OUR NUMBER ONE PRIORITY.
SO WAS SUBSTANCE.**



Malibu Premier in Iridescent
Pearl Tricoat (extra-cost color)
with available features.



¹ Malibu Hybrid EPA-estimated 47 MPG city/46 highway.

Malibu Premier in Iridescent Pearl Tricoat (extra-cost color) with available features.

MADE YOU LOOK. The all-new Malibu has a presence about it, with an exterior appearance that is agile and dynamic, yet refined. The combination of expressive, bold shapes and sculpted surfaces commands attention from all who see it.

LET US ILLUMINATE YOU. The stunningly slim headlamps provide a contemporary visual statement while offering outstanding visibility. LT, Hybrid and Premier feature LED daytime running lamps, and Premier boasts LED taillamps.

A BODY IN MOTION. Low, elongated proportions give Malibu a dramatic profile, a windswept look and the impression of constant motion. And, maybe most important, there's also considerable interior space.

MALIBU HYBRID: UP TO 47 MPG CITY!
To help achieve such lofty numbers, our aerodynamics team paid special attention to the mirrors, headlamps and decklid. In fact, Malibu is sensitive to aerodynamics, with sculpted lines that give the wind little to hold on to. Malibu Premier (shown) offers an EPA-estimated 33 MPG highway.



1



2



3



4

THE DRAMA IS IN THE DETAILS.

1. LED taillamps and chrome-trimmed dual exhaust outlets ensure Premier makes a lasting impression.

2. Badging on each front door announces to the world that Malibu has arrived.

3. The wheels, including these 19-inch aluminum wheels that are standard on Premier, were designed specifically to complement the all-new body.

4. An integrated spoiler on the rear decklid helps direct airflow smoothly and efficiently away from Malibu.

INTERIOR DESIGN



Malibu Premier interior in Dark Atmosphere/Medium Ash Gray with available features.



Malibu Premier interior in Dark Atmosphere/Loft Brown.

MAKE YOURSELF COMFORTABLE. Whether your drive takes you across town or across the country, the seats in the all-new Malibu were designed to keep you traveling in comfort. The 8-way power driver seat, standard on LT, Hybrid and Premier, puts you in complete control.

A WARM WELCOME. Premier features heated front seats and a heated steering wheel to warm your world when the

temperatures drop. There are also ventilated front seats on Premier to raise your comfort level during the warmest weather.

EXCELLENCE ELEVATED. Satin chrome is generously displayed throughout the all-new Malibu cabin to enhance sophistication and can help virtually eliminate glare. Soft touch components exude an uncommon level of quality.

WE THOUGHT OF EVERYONE. Rear-seat passengers were in the front of our minds. Our designers created generous rear-seat leg room and rear doors that open wide to make entry and exit easier.

QUIET, PLEASE. Acoustic-laminated windshield, a custom dash panel with strategic applications of laminated steel, and triple-sealed doors are just a few of

the features that keep the noises of the outside world at bay.

“OVERPROTECTIVE” IS A MYTH. Side Blind Zone Alert, Rear Cross Traffic Alert and Front Park Assist are among the many active safety features available on the all-new 2016 Malibu that use radar- and camera-based technologies to help you stay ever vigilant of your surroundings.

TECHNOLOGY



THE COMFORTS OF HOME, BROUGHT TO THE ROAD.

1. Conveniently charge your cell phone with the available wireless charging station!
2. A heated steering wheel is standard on Premier, along with standard memory settings that remember preferences for two different drivers.
3. Apple CarPlay™ compatibility² is available to enhance the connected experience. Simply connect to select iPhone® features, including Maps, Music, Messages and Phone, right on your Malibu display.
4. Refined surfaces, intuitively placed controls and premium materials highlight the precise attention to detail in every Malibu.

¹ The system wirelessly charges one PMA- or Qi-compatible mobile device. Some devices require an adaptor or back cover. To check for phone or other device compatibility, visit my.chevrolet.com/learn for details. ² Vehicle user interfaces are products of Apple and Google and their terms and privacy statements apply. Requires compatible smartphone and data plan rates apply. Apple CarPlay is a trademark of Apple Inc. Android Auto is a trademark of Google Inc.

Malibu Premier interior in Dark Atmosphere/Medium Ash Gray with available features.



¹ Vehicle user interfaces are products of Apple and Google and their terms and privacy statements apply. Requires compatible smartphone and data plan rates apply. Apple CarPlay is a trademark of Apple Inc. Android Auto is a trademark of Google Inc. ² MyLink functionality varies by model. Full functionality requires compatible Bluetooth and smartphone, and USB connectivity for some devices. Map coverage available in the United States, Puerto Rico and Canada. ³ Data plan rates apply. ⁴ Requires a compatible mobile device, active OnStar service and data plan. 4G LTE service available in select markets. Visit onstar.com for coverage map, details and system limitations.

EASY ACCESS TO YOUR SMARTPHONE.

With available Android Auto™ compatibility,¹ you can interact with select smartphone apps. This system takes some of your Android phone's features and puts them on the available Chevrolet MyLink² display in a smart, simple manner. You can access your phone, text messages, music, navigation and more.

APPLE CARPLAY COMPATIBILITY.

With available Apple CarPlay,¹ you can simply and smartly connect with some of your most used iPhone® features, including Maps, Music, Messages and Phone, right on your Malibu display. You can even interact with some of your favorite audio apps, such as iHeartRadio³ and Spotify.³

MYLINK. YOUR WAY. Chevrolet MyLink² lets you arrange icons and features on the 8-inch diagonal (Premier) or 7-inch diagonal (LS, LT and Hybrid) color touch-screen, much like you would with a smartphone or tablet. The screen is tilted up to aid visibility and prevent screen glare.

INTERNET IN YOUR MALIBU. Chevrolet is the first and only car company to offer built-in 4G LTE Wi-Fi® to cars, trucks and crossovers, providing the ability to seamlessly connect your smart devices and vehicles to the Internet.⁴ It offers great signal quality and bandwidth for up to seven devices.

SAFETY





ADAPTIVE CRUISE CONTROL. Using front-mounted radar, this available feature on Premier maintains your selected cruise speed and following-gap distance, automatically braking when necessary in stop-and-go traffic.



AVAILABLE FRONT PEDESTRIAN BRAKING. At speeds up to 50 mph, a forward-looking camera surveys the road ahead, flashing a warning signal and a series of eight beeps when the vehicle is approaching a pedestrian ahead too fast. If necessary, the available system will even automatically apply last-second braking.



FRONT AUTOMATIC BRAKING. Using the same radar sensors as Adaptive Cruise Control and available on Premier, Front Automatic Braking helps prevent or mitigate collisions at low speeds. The system alerts the driver if the lead vehicle slows unexpectedly.



LOW SPEED FRONT AUTOMATIC BRAKING. Available on LT, Hybrid and Premier, camera-based Low Speed Front Automatic Braking helps prevent or mitigate collisions at speeds below 50 mph.



FORWARD COLLISION ALERT. This available feature identifies vehicles ahead and warns the driver of possible front-end collision threats, helping provide time to stop and/or change course. If the system determines that a front-end collision with a detected vehicle is imminent, it alerts the driver to a potential crash. It also warns the driver if their Malibu is following a detected vehicle much too closely.



AVAILABLE LANE KEEP ASSIST. At speeds above 37 mph, this available camera-based system monitors road lines and will gently turn the steering wheel if the vehicle begins changing lanes without the use of a turn signal.



SIDE BLIND ZONE ALERT. This available feature uses radar sensors on both sides of the vehicle to help “look” for other vehicles in your side blind zone areas and indicates their presence with LED-lit symbols in the exterior mirrors.



LANE CHANGE ALERT. Working with Side Blind Zone Alert, available Lane Change Alert employs radar sensors in the rear corners to help detect and warn the driver of

fast approaching vehicles in the adjacent lane from up to 82 feet away, not just in the side view mirror blind zones.



REAR CROSS TRAFFIC ALERT. Using the same radar sensors as Lane Change Alert, this available feature alerts you to crossing traffic behind your Malibu when backing up. Audible warnings, as well as visual alerts on the rear vision camera screen, are triggered if approaching vehicles are detected.



REAR VISION CAMERA. Standard on Malibu LS, LT, Hybrid and Premier, the rear vision camera displays a view of the area immediately behind the vehicle on the touch-screen – making it easier to see what’s behind you while backing up.



AVAILABLE FRONT AND REAR PARK ASSIST. Ideal when pulling into a parking spot at low speeds, the available system senses stationary objects and warns you if an object is too close. The rear vision camera automatically displays a live image of the area behind the vehicle on the available Chevrolet MyLink screen after you shift into Reverse.



SEMI-AUTOMATIC PARKING ASSIST. This ingenious available system enables Malibu Premier to detect viable parking spaces, determine approach angles and take over the steering to neatly maneuver into an available space. Throttle, brake and transmission (or gear selection) input is still required by the driver, but the vehicle steers itself into any suitable-sized reverse parallel or reverse right-angle (90-degree) parking spot.



INTELLIBEAM HEADLAMPS. When oncoming headlamps are sensed or when taillamps are detected in front of you, the available IntelliBeam® high beam assist intuitively adjusts between low and high beams.

SAFETY STARTS WITH YOU. Safety features are no substitute for the driver’s responsibility to operate the vehicle in a safe manner. The driver should remain attentive to traffic, surroundings and road conditions at all times. Read the Malibu Owner’s Manual for more important safety information.

“★★★★★”

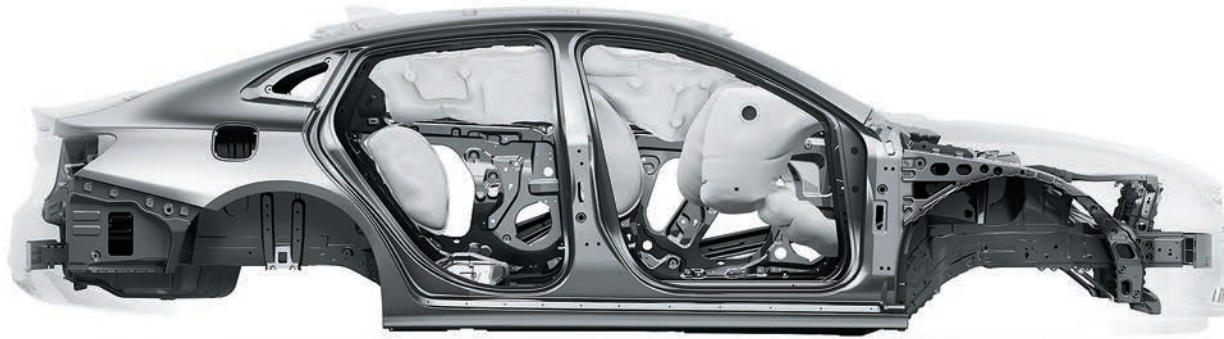
**OVERALL VEHICLE
SCORE FOR SAFETY.¹**

— NATIONAL HIGHWAY TRAFFIC SAFETY ADMINISTRATION



Malibu Premier in Nightfall Gray
Metallic with available features.

¹ Government 5-Star Safety Ratings are part of the National Highway Traffic Safety Administration's (NHTSA's) New Car Assessment Program (www.SaferCar.gov).



1



2



3

ALWAYS ON GUARD.

1. To surround you in safety, 10 air bags¹ are standard, and the safety cage uses high-strength and ultra-high-strength steel to help enhance crash performance.
2. Every Malibu offers the security of OnStar^{®2} Automatic Crash Response, standard for the first six months.
3. Available Teen Driver³ technology encourages safe driving habits for new drivers in a number of ways, like muting the audio system when front-seat occupants aren't wearing their safety belts and giving audible and visual warnings when the vehicle is traveling over predetermined speeds.

¹ A NOTE ON CHILD SAFETY: Always use safety belts and the correct child restraint for your child's age and size, even with air bags. Even in vehicles equipped with the Passenger Sensing System, children are safer when properly secured in a rear seat in the appropriate infant, child or booster seat. Never place a rear-facing infant restraint in the front seat of any vehicle equipped with an active frontal air bag. See the Owner's Manual and the child safety seat instructions for more safety information.

² Visit onstar.com for coverage map, details and system limitations. Services vary by model and conditions. OnStar acts as a link to existing emergency service providers.

³ Requires available 8-inch Chevrolet MyLink Radio.

MALIBU HYBRID

47 MPG¹

CITY/46 MPG HIGHWAY

1.8L

2-MODE HYBRID
4-CYLINDER ENGINE

BEST-IN-CLASS
EFFICIENCY

Malibu Hybrid takes fuel efficiency to new heights for a midsize car, offering best-in-class fuel economy.²



Malibu Hybrid (available Spring 2016) in Silver Ice Metallic with available features.

¹ EPA-estimated. ² Based on 2016 GM Mid Car segment. Malibu Hybrid EPA-estimated 47 MPG city/46 highway. ³ Based on EPA highway estimate and fuel tank capacity. Your range may be less.

PROVEN HYBRID TECHNOLOGY.

Malibu Hybrid, available this Spring, leverages components and knowledge directly from Chevrolet Volt. An all-new direct injected 1.8L 4-cylinder engine mated to a two-motor electric drive unit powers Malibu Hybrid. The drive unit provides additional energy to assist the engine during acceleration, for a total of 182 horsepower (136 kW).

47 MPG CITY/46 HIGHWAY! Malibu Hybrid offers an estimated 47 MPG city/46 highway – better than any other car in its class.² That can translate to a maximum highway range of up to 595 miles per tank.³

LITHIUM-ION BATTERY PACK. An 80-cell, 1.5 kWh lithium-ion battery pack provides electric power to the hybrid system that

can propel Malibu Hybrid to speeds over 50 mph with electricity alone. The gasoline-powered engine automatically comes on at higher speeds and high loads to provide additional energy.

ADVANCED REGENERATIVE BRAKING. In addition to the drive unit, Malibu Hybrid also features a regenerative braking

system, which provides energy recovery during braking to help maintain charge.

STREAMLINED AND NEARLY SILENT.

Electric grille shutters enhance aerodynamic efficiency at highway speeds, and Active Noise Cancellation contributes to the impressively quiet ride.

PERFORMANCE

Malibu Premier in Nightfall Gray Metallic with available features.



2.0L TURBO

ENGINE WITH 8-SPEED AUTOMATIC TRANSMISSION

250

HORSEPOWER

260

LB.-FT. TORQUE

¹ EPA-estimated MPG (city/highway): Malibu with 1.5L Turbo engine: 27/37. ² EPA estimated.

ALL-NEW 1.5L TURBO ENGINE.

Powerfully efficient is the perfect way to describe our newest engine. Paired with a smooth-shifting 6-speed automatic transmission, this 1.5L Turbo engine delivers 163 horsepower, 184 lb.-ft. of torque and the kind of driving experience and performance you may not expect. There's also intelligent technology that helps save gas and improve efficiency –

Malibu with the 1.5L Turbo engine offers an EPA-estimated 37 MPG highway!¹

2.0L TURBO ENGINE. Those who crave exhilaration will not be disappointed. Try 250 horsepower and 260 lb.-ft. of torque – numbers that will push you back in your seat and put a smile on your face. Quick, seamless shifts come courtesy of an all-new 8-speed automatic

transmission. And while performance is the first thing you'll notice, 33 MPG highway² is bound to get your attention too. Standard on 2LT and Premier.

SUPERIOR SUSPENSION. While performance has been enhanced, comfort is also key in the all-new Malibu. The MacPherson strut front suspension delivers a feeling of control while cornering, and the independently tuned

4-link rear suspension provides all the ride and handling benefits you desire at any speed.

HANDLED WITH CARE. Variable-effort Electric Power Steering (EPS) helps save fuel by using energy only when steering effort is applied. Balancing responsiveness and comfort, EPS feels light but agile, with greater assistance at low speeds and tighter control on the highway.



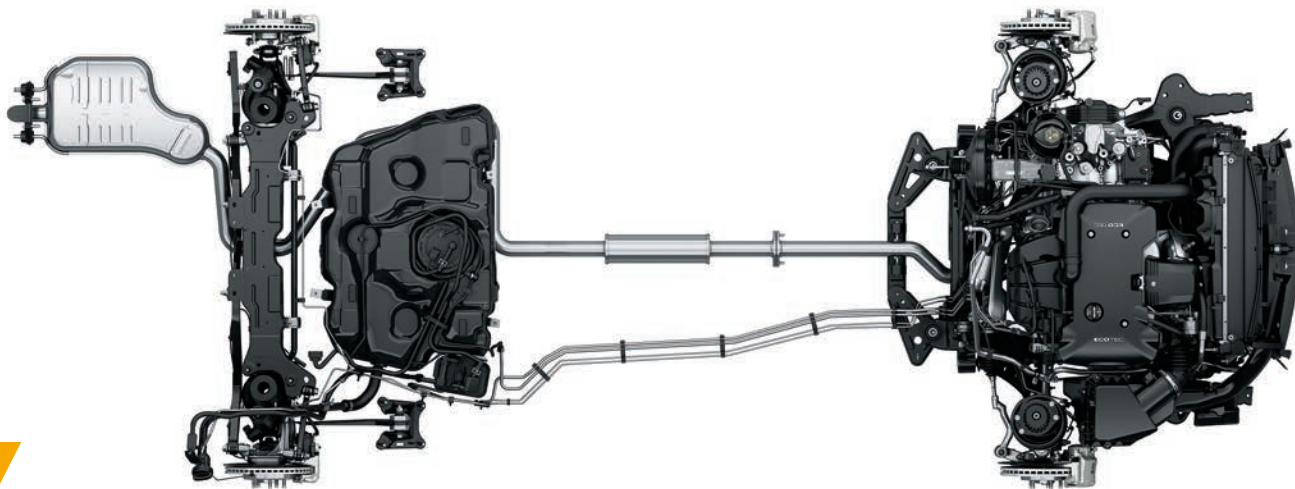
Malibu Premier in Iridescent Pearl Tricoat (extra-cost color) with available features.

EVERY OUNCE ACCOUNTED FOR.

For 2016, Malibu features a light, highly optimized body structure that enables enhanced acceleration as well as more nimble handling.

STRENGTH FROM WITHIN. Press-hardened steel was used in the B-pillars and roof rails due to its ability to achieve ultra-high-strength status in complex shapes. Ultra-high-strength steel was added to the upper and lower structures to reduce weight.

SILENCE STARTS HERE. The quiet nature of Malibu begins with a honed exterior shape. It continues with sound-deadening acoustic materials that help reduce, block and absorb road noise. The bottom line for you: the commotion of the outside world kept where it belongs.



1



2



3

IN PURSUIT OF THE PERFECT RIDE, WE CONSIDERED EVERYTHING.

- 1. The MacPherson strut front suspension design features internal rebound springs that enable a more refined calibration of the struts, resulting in enhanced body-roll control during acceleration or turning.*
- 2. Every Malibu has 4-wheel disc brakes with Duralife™ brake rotors – which increase the service life – and 4-channel ABS for straighter, more controlled braking.*
- 3. More than 150 hours of wind tunnel testing resulted in a number of enhancements, including sculpted exterior mirrors that help bring you an unexpectedly quiet ride.*

SPECIAL FEATURES

BRING MORE TO YOUR MALIBU.

These are just a few of the impressive features available for your 2016 Malibu. For a complete list of features and accessories, check out chevrolet.com.

Available Bose® 9-speaker premium audio system.



Keyless Entry with Push-Button Start. Standard on all models.



Leather Package, available on 1LT and Hybrid, includes heated driver and front passenger seats, 6-way power passenger seat with power lumbar adjusters and Bose 9-speaker premium audio system.



Available on 1LT, Sun and Wheels Package includes sunroof with fixed rear skylight, Universal Home Remote and 18" aluminum wheels.

COLORS/WHEELS



IRIDESCENT PEARL TRICOAT^{1,2,3,4}



16" Steel with Cover (Standard on L)



16" Aluminum (Standard on LS)



17" Aluminum
(Standard on 1LT and Hybrid)



18" Aluminum (Standard on 2LT,
available on 1LT with
Sun and Wheels Package)



19" Aluminum Wheel Featured
(Standard on Premier)

FABRICS



¹ Standard on Premier. ² Requires Autumn Bronze Metallic, Iridescent Pearl Tricoat, Nightfall Gray Metallic or Mosaic Black Metallic exterior colors. ³ Standard on L. Requires Silver Ice Metallic or Summit White exterior colors. ⁴ Standard on LS. Requires Blue Velvet Metallic, Butte Red Metallic, Mosaic Black Metallic, Silver Ice Metallic or Summit White exterior colors. ⁵ Standard on LT and Hybrid. ⁶ Available on 1LT and Hybrid with Leather Package. ⁷ Requires Blue Velvet Metallic, Butte Red Metallic, Silver Ice Metallic, Summit White, Mosaic Black Metallic or Crystal Red Tintcoat exterior.

SELECT VEHICLE FEATURES

MALIBU L

1.5L turbocharged 4-cylinder engine with Direct Injection and stop/start technology
6-speed automatic transmission
MacPherson strut front suspension and 4-link rear suspension
10 air bags ¹
OnStar Guidance Plan ² (standard for the first six months, trial excludes Hands-Free Calling minutes), includes Automatic Crash Response and Turn-by-Turn Navigation
StabiliTrak [®] Electronic Stability Control System
Tire Pressure Monitoring System ³
Theft-deterrent system with content-theft alarm
Daytime running lamps
Halogen projector-beam headlamps with automatic exterior lamp control
Outside power-adjustable black mirrors
16" steel wheels with painted wheel covers
Acoustic-laminated windshield
Keyless Access with Push-Button Start
Remote Keyless Entry
Power-programmable door locks with lockout protection and rear-door child safety locks
AM/FM stereo
6-speaker sound system
Bluetooth [®] wireless technology ⁴ for select phones
Steering wheel-mounted controls for audio and cruise
Tilt and telescopic steering wheel
Driver Information Center
Power windows with express-down
Single-zone manual climate control
Front buckets with reclining seatbacks and adjustable head restraints and rear seat with 60/40 split-folding seatback
Rear-window defogger
Front and rear carpeted floor mats

MALIBU LS In addition to or replacing L features, LS includes:

16" aluminum wheels
Rear vision camera
Chevrolet MyLink ⁵ Radio with 7-inch diagonal color touch-screen display
Bluetooth audio streaming ⁴ for music and select phones
Android Auto [™] and Apple CarPlay [™] compatibility ⁶
USB port ⁷
Compass and outside temperature displays
Visor vanity mirrors for driver and front passenger

MALIBU 1LT In addition to or replacing LS features, 1LT includes:

LED daytime running lamps
Outside heated power-adjustable body-color mirrors with integrated turn signal indicators
Body-color antenna
17" aluminum wheels
SiriusXM Satellite Radio [®] All Access Package with 3-month trial subscription
OnStar 4G LTE and built-in Wi-Fi hotspot for up to seven devices ⁸ ; includes data trial for 3 months or 3 GB (whichever comes first)
Ambient lighting on instrument panel, front door pads and map pockets, and door handles on all doors
8-way power driver seat with power lumbar control
Illuminated visor vanity mirrors for driver and front passenger
Driver window with express-up/-down

MALIBU 2LT In addition to or replacing 1LT features, 2LT includes:

2.0L turbocharged 4-cylinder engine with Direct Injection
8-speed automatic transmission
Dual-outlet exhaust with stainless steel tips
18" aluminum wheels
Tire inflator kit

MALIBU HYBRID In addition to or replacing 1LT features, Hybrid includes:

1.8L engine with Hybrid electric propulsion system
Hybrid-specific instrument cluster
Dual-zone automatic climate control

Chrome door handles with body-color inserts
LED taillamps
19" aluminum wheels
Bright sill plates
Remote vehicle starter system
Chevrolet MyLink ⁵ Radio with Navigation and 8-inch diagonal color touch-screen display
Bose [®] 9-speaker premium audio system
Color Driver Information Center
Dual-zone automatic climate control
120-volt power outlet on rear of center console
Dual charge-only USB ports ⁷ on rear of center console
Wireless charging ¹⁰
Inside auto-dimming rearview mirror
Memory function for driver seat and outside mirrors
Heated and ventilated driver and front passenger seats
6-way power-adjustable front passenger seat with power lumbar control
Perforated leather-appointed seating
Leather-wrapped steering wheel and shift knob
Heated steering wheel
Trunk mat

1 A NOTE ON CHILD SAFETY: Always use safety belts and the correct child restraint for your child's age and size, even with air bags. Even in vehicles equipped with the Passenger Sensing System, children are safer when properly secured in a rear seat in the appropriate infant, child or booster seat. Never place a rear-facing infant restraint in the front seat of any vehicle equipped with an active frontal air bag. See the Owner's Manual and the child safety seat instructions for more safety information. **2** Visit onstar.com for coverage map, details and system limitations. OnStar acts as a link to existing emergency service providers. **3** Excludes spare tire. **4** Go to my.chevrolet.com/learn to find out which phones are compatible with the vehicle. **5** MyLink functionality varies by model. Full functionality requires compatible Bluetooth and smartphone, and USB connectivity for some devices. Map coverage available in the United States, Puerto Rico and Canada. MyLink on Malibu does not include CD player. **6** Vehicle user interfaces are products of Apple and Google and their terms and privacy statements apply. Requires compatible smartphone and data plan rates apply. **7** Not compatible with all devices. **8** If you decide to continue service after your trial, the subscription plan you choose will automatically renew thereafter and you will be charged according to your chosen payment method at then-current rates. Fees and taxes apply. To cancel you must call SiriusXM at 1-866-635-2349. See SiriusXM Customer Agreement for complete terms at siriusxm.com. All fees and programming subject to change. For more information about Travel Link and NavTraffic, visit siriusxm.com/infotainment. **9** Requires a compatible mobile device, active OnStar service and data plan. 4G LTE service available in select markets. Visit onstar.com for coverage map, details and system limitations. **10** The system wirelessly charges one PMA- or Qi-compatible mobile device. Some devices require an adaptor or back cover. To check for phone or other device compatibility, visit my.chevrolet.com/learn for details.

SPECIFICATIONS

● STANDARD ○ AVAILABLE – NOT AVAILABLE

	L	LS	1LT	2LT	HYBRID	PREMIER
EXTERIOR						
Antenna: Black	●	●	–	–	–	–
Body-color	–	–	●	●	●	●
ENGINE/CHASSIS						
Engine: 1.5L turbocharged DOHC 4-cylinder with Direct Injection, Variable Valve Timing and stop/start technology; 163 hp @ 5700 rpm, 184 lb.-ft. of torque @ 2500–3000 rpm						
2.0L turbocharged DOHC 4-cylinder with Direct Injection and Variable Valve Timing; 250 hp @ 5300 rpm, 260 lb.-ft. of torque @ 2000–5000 rpm	●	●	●	–	–	–
1.8L with Hybrid Propulsion System	–	–	–	–	●	–
Transmission: 6-speed automatic with overdrive						
8-speed automatic with overdrive	●	●	●	–	–	–
2-motor Hybrid electric drive unit	–	–	–	–	●	–

	L	LS	1LT	2LT	HYBRID	PREMIER
SAFETY & SECURITY						
10 air bags: ¹ Dual-stage frontal, thorax side-impact and knee for driver and front passenger (includes Passenger Sensing System); thorax side-impact for rear outboard seating positions; head-curtain side-impact for front and rear outboard seating positions						
Brakes: 4-wheel antilock, 4-wheel disc; Duralife brake rotors with corrosion-resistant technology	●	●	●	●	●	●
INTERIOR						
Assist handles: Front passenger	●	●	●	●	●	●
Climate control: Single-zone, manual	●	●	●	●	–	–
Dual-zone, automatic	–	–	–	–	●	●
Driver Information Center (DIC): Monochromatic display						
High-resolution color display; includes trip/fuel information, vehicle information and vehicle settings	●	●	●	–	●	–
Power outlet: Auxiliary, integrated in center stack	–	–	○ ²	●	○ ²	●
Shift knob: Leather-wrapped	–	–	○ ²	●	○ ²	●
Steering wheel: Leather-wrapped 3-spoke with mounted controls for audio and cruise						
Sunroof: Power, tilt/sliding with express-open feature, sunshade and additional fixed skylight	–	–	○ ³	–	○ ⁴	○

	L	LS	1LT	2LT	HYBRID	PREMIER
SEATING						
Seats: Premium Cloth						
Leather-appointed	●	●	●	●	●	–
Perforated leather-appointed	–	–	○ ⁵	–	○ ⁵	–
Seat adjuster: Driver 8-way power, with lumbar control						
Passenger 6-way power, with lumbar control	–	–	●	●	●	●
Heated front seats	–	–	○ ⁵	–	○ ⁵	●
Ventilated front seats	–	–	–	–	–	●
ENTERTAINMENT						
AM/FM stereo						
Chevrolet MyLink ⁶ Radio with 7-inch diagonal color touch-screen display, AM/FM stereo with seek-scan and digital clock, includes Bluetooth audio streaming ⁷ for music and select phones; featuring Android Auto and Apple CarPlay compatibility ⁸	●	–	–	–	–	–
Chevrolet MyLink ⁶ Radio with 8-inch diagonal color touch-screen display, AM/FM stereo with seek-scan and digital clock, includes Bluetooth audio streaming ⁷ for music and select phones; voice-activated technology for radio and phone; featuring Android Auto and Apple CarPlay compatibility ⁸	–	●	●	–	●	–

¹ A NOTE ON CHILD SAFETY: Always use safety belts and the correct child restraint for your child's age and size, even with air bags. Even in vehicles equipped with the Passenger Sensing System, children are safer when properly secured in a rear seat in the appropriate infant, child or booster seat. Never place a rear-facing infant restraint in the front seat of any vehicle equipped with an active frontal air bag. See the Owner's Manual and the child safety seat instructions for more safety information. ² Requires available Convenience and Technology Package. ³ Requires available Convenience and Technology Package or Sun and Wheels Package. ⁴ Requires available Chevrolet MyLink Radio with Navigation, Convenience and Technology Package and Leather Package. ⁵ Requires available Leather Package. ⁶ MyLink functionality varies by model. Full functionality requires compatible Bluetooth and smartphone, and USB connectivity for some devices. Map coverage available in the United States, Puerto Rico and Canada. MyLink on Malibu does not include CD player. ⁷ Go to my.chevrolet.com/learn to find out which phones are compatible with the vehicle. ⁸ Vehicle user interfaces are products of Apple and Google and their terms and privacy statements apply. Requires compatible smartphone and data plan rates apply.

SPECIFICATIONS (CONTINUED)

● STANDARD ○ AVAILABLE – NOT AVAILABLE

	L	LS	1LT	2LT	HYBRID	PREMIER
ENTERTAINMENT (CONTINUED)						
Chevrolet MyLink ¹ Radio with Navigation and 8-inch diagonal color touch-screen display, includes Chevrolet MyLink Radio features plus enhanced navigation and SiriusXM NavTraffic ² with 3-month trial subscription	–	–	○ ³	–	○ ³	●
SiriusXM Satellite Radio ² All Access Package with 3-month trial subscription	–	–	●	●	●	●
OnStar Basic Plan ⁴ for five years includes limited features of the OnStar RemoteLink ⁵ mobile app including remote start, door lock or unlock, honk your horn and flash your lights, and send destinations to your Chevrolet MyLink ¹ navigation screen (if equipped). Limited OnStar services include Advanced Diagnostics and Dealer Maintenance Notification	●	●	●	●	●	●
OnStar 4G LTE and built-in Wi-Fi hotspot for up to seven devices ⁶ ; includes data trial for 3 months or 3 GB (whichever comes first)	–	○	●	●	●	●
USB port ⁷ Charge-only, on rear of center console	–	●	●	●	●	●
	–	–	○ ⁸	●	○ ⁸	●

	L	LS	1LT	2LT	HYBRID	PREMIER
WHEELS						
16" steel with painted wheel covers	●	–	–	–	–	–
16" aluminum	–	●	–	–	–	–
17" aluminum	–	–	●	–	●	–
18" aluminum	–	–	○ ⁹	●	–	–
19" aluminum	–	–	–	–	–	●
PACKAGES						
Convenience and Technology Package: Remote vehicle starter system, inside rearview auto-dimming mirror, 120-volt power outlet, color Driver Information Center, Chevrolet MyLink ¹ Radio with 8-inch diagonal color touch-screen display, wireless charging, ¹⁰ dual charge-only USB ports ⁷ on rear of center console, leather-wrapped steering wheel and leather-wrapped shift knob	–	–	○	●	○ ¹¹	–
Driver Confidence Package: Low Speed Front Automatic Braking, Front Pedestrian Braking, IntelliBeam high beam assist, Front and Rear Park Assist, Side Blind Zone Alert with Lane Change Alert, Lane Keep Assist, Following Distance Indicator, Forward Collision Alert and Rear Cross Traffic Alert	–	–	○ ⁸	●	○ ⁸	○

	L	LS	1LT	2LT	HYBRID	PREMIER
PACKAGES (CONTINUED)						
Driver Confidence Package II: Adaptive Cruise Control, Front Automatic Braking, Semi-Automatic Parking Assist and electronic parking brake	–	–	–	–	–	○ ¹¹
Leather Package: Heated driver and front passenger seats, 6-way power-adjustable front passenger seat with power lumbar control and Bose 9-speaker premium audio system	–	–	○ ⁸	–	○ ¹²	–
Sun and Wheels Package: Power sunroof, Universal Home Remote and 18" aluminum wheels	–	–	○ ³	–	–	–

¹ MyLink functionality varies by model. Full functionality requires compatible Bluetooth and smartphone, and USB connectivity for some devices. Map coverage available in the United States, Puerto Rico and Canada. MyLink on Malibu does not include CD player.
² If you decide to continue service after your trial, the subscription plan you choose will automatically renew thereafter and you will be charged according to your chosen payment method at then-current rates. Fees and taxes apply. To cancel you must call SiriusXM at 1-866-635-2349. See SiriusXM Customer Agreement for complete terms at siriusxm.com. All fees and programming subject to change. For more information about Travel Link and NavTraffic, visit siriusxm.com/infotainment. ³ Requires available Leather Package.
⁴ Does not include emergency or security services. Visit onstar.com for coverage map, details and system limitations. ⁵ Requires compatible mobile device and active OnStar subscription. Visit onstar.com for details and system limitations. ⁶ Requires a compatible mobile device, active OnStar service and data plan. 4G LTE service available in select markets. Visit onstar.com for coverage map, details and system limitations. ⁷ Not compatible with all devices. ⁸ Requires available Convenience and Technology Package. ⁹ Requires available Sun and Wheels Package. ¹⁰ The system wirelessly charges one PMA- or Qi-compatible mobile device. Some devices require an adaptor or back cover. To check for phone or other device compatibility, visit my.chevrolet.com/learn for details. ¹¹ Requires available Driver Confidence Package. ¹² Requires available Chevrolet MyLink Radio with Navigation, Convenience and Technology Package and Driver Confidence Package.



CHEVROLET

COMPLETE CARE

Experience Chevrolet Complete Care, a comprehensive coverage, warranty and protection program that comes standard with every new 2016 Chevrolet Malibu lease and purchase. Simply, it is designed around you, to make it easy to keep your Chevrolet like new – and give you the confidence you deserve when you need it most.

YOUR COMPREHENSIVE OWNER BENEFIT PROGRAM.

Complimentary first two visits for Maintenance (oil and filter changes, tire rotations and multipoint vehicle inspections)¹

5 years/60,000 miles of Roadside Assistance and Courtesy Transportation²

5-year/60,000-mile Powertrain Limited Warranty²

3-year/36,000-mile Bumper-to-Bumper Warranty²

6 years/100,000 miles of Rust-Through Protection²

5 years of OnStar Basic Plan³ including select features of the RemoteLink mobile app⁴

6 months of OnStar Guidance Plan⁵

DIMENSIONS

Width	73.0"
Front Track	62.6"
Rear Track	62.5"

Length	198.3"
Wheelbase	111.4"
Height	57.6"

MAXIMUM CAPACITIES

EPA-ESTIMATED FUEL ECONOMY

1.5L Turbo	27 MPG city/37 highway/31 combined
2.0L Turbo	22 MPG city/33 highway/26 combined
1.8L Hybrid	47 MPG city/46 highway/46 combined

FUEL TANK (APPROXIMATE) 13 gallons (1.5L and Hybrid), 15.8 gallons (2.0L)

PASSENGER VOLUME 102.5 cubic feet/seats 5

CARGO VOLUME⁶ 15.8 cubic feet/11.6 cubic feet (Hybrid)

OWNERSHIP EXTRAS

CHEVROLET



CHEVROLET.COM/WARRANTY

CHEVROLET



CHEVROLET.COM/ACCESSORIES



ONSTAR.COM

SIRIUSXM

SIRIUSXM.COM

WARRANTY

5-YEAR/60,000-MILE TRANSFERABLE POWERTRAIN LIMITED WARRANTY Every 2016 Chevrolet passenger car, light-duty truck, SUV and crossover comes with a 5-year/60,000-mile (whichever comes first) transferable Powertrain Limited Warranty. Plus, you get 5 years/60,000 miles (whichever comes first) of the 24/7 Roadside Assistance Program, the Courtesy Transportation Program, and much more. See dealer for details.

NEW VEHICLE LIMITED WARRANTY GM vehicles registered in the USA are covered for 3 years/36,000 miles (whichever comes first). The complete vehicle is covered, including tires, towing to your nearest Chevrolet dealership and cosmetic corrosion resulting from defects. Repairs will be made to correct any vehicle defect, and most warranty repairs will be made at no charge. In addition, rust-through corrosion will be covered for 6 years/100,000 miles (whichever comes first). See dealer for details.

HYBRID WARRANTY In addition to the Bumper-to-Bumper coverage, General Motors will warrant certain Hybrid components for 8 years or 100,000 miles, whichever comes first, from the original in-service date of the vehicle, against warrantable repairs to the specific Hybrid components of the vehicle. For Hybrid owners requiring more comprehensive coverage than that provided under this Hybrid warranty, a GM Protection Plan may be available. See your Chevrolet dealer for more details.

¹ Maintenance visits must occur within two years or 24,000 miles of vehicle delivery, whichever comes first. Does not include air filters. See participating dealer for other restrictions and complete details. ² Whichever comes first. See dealer for details. ³ Does not include emergency or security services. Visit onstar.com for coverage map, details and system limitations. ⁴ Requires compatible mobile device and active OnStar subscription. Visit onstar.com for details and system limitations. ⁵ Visit onstar.com for coverage map, details and system limitations. ⁶ Cargo and load capacity limited by weight and distribution.

IMPORTANT INFORMATION

CHEVROLET OWNER CENTER (MY.CHEVROLET.COM) Everything you need to know. Anything you need to do. Your Chevrolet Owner Center makes it easy. Create your account today to get the most out of your new vehicle. Get special alerts and offers, schedule service, review your maintenance schedule, and view how-to videos specifically for your vehicle. All online, anytime. Visit the Owner Center today to register or take a tour.

ENGINES Chevrolet products are equipped with engines produced by GM Powertrain or other suppliers to GM worldwide. The engines in Chevrolet products may also be used in other GM makes and models.

ASSEMBLY Chevrolet vehicles and their components are assembled or produced by different operating units of General Motors, its subsidiaries or suppliers to GM worldwide. We sometimes find it necessary to produce Chevrolet vehicles with different or differently sourced components than originally scheduled. Since some options may be unavailable when your vehicle is assembled, we suggest you verify that your vehicle includes the equipment you ordered and that, if there were changes, they are acceptable to you.

ONSTAR OnStar services require vehicle electrical system (including battery), wireless service and GPS satellite signals to be available and operating for features to function properly. OnStar acts as a link to existing emergency service providers. Subscription Service Agreement required. Call 1.888.4ONSTAR (1-888-466-7827) or visit onstar.com for OnStar Terms and Conditions, Privacy Policy, details and system limitations.

A NOTE ON CHILD SAFETY Always use safety belts and the correct restraint for your child's age and size. Even in vehicles equipped with the Passenger Sensing System, children are safer when properly secured in a rear seat in the appropriate infant, child or booster seat. Never place a rear-facing infant restraint in the front seat of any vehicle equipped with a passenger air bag. See the Owner's Manual and child safety seat instructions for more safety information.

IMPORTANT WORDS ABOUT THIS CATALOG We have tried to make this catalog comprehensive and factual. We reserve the right, however, to make changes at any time, without notice, in prices, colors, materials, equipment, specifications, models and availability. Specifications, dimensions, measurements, ratings and other numbers in this catalog and other printed materials provided at

the dealership or affixed to vehicles are approximations based on design and engineering drawings, prototypes and laboratory tests. Your vehicle may differ due to variations in manufacture and equipment. Since some information may have been updated since the time of printing, please check with your Chevrolet dealer for complete details. Chevrolet reserves the right to lengthen or shorten the model year for any product for any reason or to start and end model years at different times. Certain vehicle features may lose their usefulness over time due to obsolescence from technological changes. Unless otherwise noted, all claims based on GM Mid-Car Sedan segment and latest available competitive information. Excludes other GM vehicles.

FLEET ORDERS Some standard content may be deleted on fleet orders. See dealer for details.

CHEVROLET OWNERSHIP EXPERIENCE Chevrolet is committed to enhancing the vehicle shopping and ownership experience through a wide array of programs. Visit chevrolet.com to build and price, find a vehicle, request a quote, compare vehicles, find financial tools or track your vehicle order. You'll also find information about 24-hour Roadside Assistance, Courtesy Transportation, Customer Assistance, GM Mobility, safety and current incentives.

CHEVROLET.COM/SAFETY Chevrolet is committed to keeping you and your family safe – from the start of your journey to your destination. That's why every Chevrolet is designed with a comprehensive list of safety and security features to help give you peace of mind.

GMMOBILITY.COM (1-800-323-9935) GM MobilitySM offers financial assistance for eligible adaptive equipment to make automotive travel easier for persons with disabilities or special transportation needs. To learn more about special GM Mobility offers, visit gmmobility.com.

THE BUYPOWER CARD The Chevrolet BuyPower Card – Every purchase you make with the BuyPower Card from Capital One* helps you earn toward an eligible new Chevrolet, Buick, GMC or Cadillac vehicle. There's no limit on the amount you can earn or redeem, and your Earnings don't expire. Visit chevroletbuypowercard.com/catalogs.

* Capital One, N.A. is the issuer of the BuyPower Card. General Motors ("GM") is responsible for the operation and administration of the Earnings program.



TWITTER.COM/CHEVROLET



YOUTUBE.COM/CHEVROLET



FACEBOOK.COM/CHEVROLET

GM, the GM logo, Chevrolet, the Chevrolet logo, and the slogans, emblems, vehicle model names, vehicle body designs and other marks appearing in this catalog are the trademarks and/or service marks of General Motors, its subsidiaries, affiliates or licensors. ©2016 OnStar. All rights reserved. SiriusXM and all related marks and logos are trademarks of Sirius XM Radio Inc. The Bluetooth word mark is a registered trademark owned by Bluetooth SIG, Inc., and any use of such mark by Chevrolet is under license. Bose is a registered trademark of the Bose Corp. Google is a trademark of Google Inc. ©2016 General Motors. All rights reserved. January 2016



FIND *NEW* ROADS™

CHEVROLET.COM