

CHEVY TRUCKS  LIKE A ROCK

**S10**





# S-10 Pickup. It's All Chevy Truck.

Throughout this brochure, you'll find invitations to learn more about S-10's features by visiting [chevy.com/S10brochure](http://chevy.com/S10brochure)



Your life is one without limits — where very little stands between you and your next adventure. That's why there's the rugged Chevy S-10 Pickup. S-10 Pickup 4x4 models feature a powerful standard Vortec 4300 V6 SFI

engine and the confidence of the Insta-Trac 4x4 system. And S-10 Pickup Short Box models have a longer, wider and deeper pickup box than comparable Ford Ranger models, as well as more headroom and shoulder room.\*

The rugged S-10 Pickup. From the family of Chevy Trucks — the most dependable, longest-lasting trucks on the road.†

\*Based on 2001 model year GM Medium Pickup segment competitive information. †Dependability based on longevity: 1981–July 2000 full-line light-duty truck company registrations. Excludes other GM divisions.



# S-10 Pickup. It's All Chevy

Throughout this brochure, you'll find invitations to learn more about S-10's features by visiting [chevy.com/S10brochure](http://chevy.com/S10brochure)



Chevy S-10 Crew Cab 4x4 in Onyx Black.



Chevy S-10 Crew Cab 4x4 in Onyx Black.

Chevy S-10 Crew Cab 4x4 models feature four real doors, seating for five, Insta-Trac 4x4 and a powerful Vortec 4300 V6 SFI engine. *Page 10.*

Chevy S-10 ZR2 4x4 Extended Cab models come with a high ground clearance, Vortec 4300 V6 SFI engine, Shield Package and the Insta-Trac 4x4 system to help tackle off-road terrain. *Page 14.*



Chevy S-10 ZR2 4x4 Extended Cab in Light Pewter Metallic.



Chevy S-10 Pickup 4x4 LS Extended Cab in Forest Green Metallic.

Chevy S-10 Pickup LS Extended Cab models come equipped with a standard driver-side third door, a choice of strong Vortec engines and a five-speed manual transmission. *Page 16.*

Chevy S-10 Xtreme stands out with its powerful Vortec 4300 V6 SFI engine, and sleek, street-hugging styling. An available Stripe Package adds an even more customized touch. *Page 20.*



Chevy S-10 Xtreme in Onyx Black with available Accent Appearance Package.

Your life is one without limits — where very little stands between you and your next adventure. That's why there's the rugged Chevy S-10 Pickup. S-10 Pickup 4x4 models feature a powerful standard Vortec 4300 V6 SFI

engine and the confidence of the Insta-Trac 4x4 system. And S-10 Pickup Short Box models have a longer, wider and deeper pickup box than comparable Ford Ranger models, as well as more headroom and shoulder room.\*

The rugged S-10 Pickup. From the family of Chevy Trucks — the most dependable, longest-lasting trucks on the road.†

\*Based on 2001 model year GM Medium Pickup segment competitive information. †Dependability based on longevity: 1981–July 2000 full-line light-duty truck company registrations. Excludes other GM divisions.

To find out more about the complete line of S-10 Pickups, visit [chevy.com/S10brochure](http://chevy.com/S10brochure)



# Two Decades Of Dependability.



During the past 20 years, Chevy S-10 Pickup has established a reputation for rugged dependability. In fact, of the S-10 Pickup models sold since 1982, more than 2.6 million

are still on the road.\* When you've been carrying that kind of responsibility for as long as we have, you learn a lot about your product ... and what customers expect. That's why

S-10 Pickup was first to introduce several important advancements to its segment. Like Insta-Trac 4x4 on 1983 models. And standard four-wheel antilock brakes on all models in 1997. But it's

about more than being innovative. It's knowing the gold bowtie on every S-10 Pickup means something special. That is, we're depended on day after day, year after year by hardworking

people. After all, 20 years is a long time to build, learn and improve. And we have. Every step of the way. It's just what you would expect from S-10 Pickup. Built on the heritage of

Chevy Trucks — still the most dependable, longest-lasting trucks on the road.†

\*Source: R.L. Polk & Co. NVPP VIO as of July 1, 2000. †Dependability based on longevity: 1981-July 2000 full-line light-duty truck company registrations. Excludes other GM divisions.



# Engineered For Durability.

## Variable-Ratio Power Steering

Standard variable-ratio power steering helps make low-speed maneuvering easy while providing excellent response and an on-center feel at higher speeds.

## PASSlock Theft-Deterrent System

Every Chevy S-10 Pickup features the security of the standard PASSlock theft-deterrent system. It automatically disables the vehicle's fuel system if the proper key is not used.

## Remote Keyless Entry And Content Theft-Deterrent\*

Available Remote Keyless Entry provides remote door locking and unlocking from up to 30 feet away. The integrated content theft deterrent sounds the horn and flashes exterior lamps if anyone tampers with a locked door.

\*Requires Power Convenience Group.

## Corrosion-Resistant Exterior Body Panels

Two-sided galvanized steel is used on all exterior body panels (except the roof, where it is not needed) to help protect against corrosion.

## Automatic Exterior Lamp Control

When this system senses low-light or nighttime driving conditions, it automatically switches Daytime Running Lamps to full-strength headlights and turns on the taillamps.

## Standard Four-Wheel Antilock Brake System (ABS)

ABS is designed to help keep you in control by reducing wheel lockup while braking hard on most slippery surfaces. Chevy S-10 Pickup 4x4 models also feature four-wheel disc brakes that cool quickly to help reduce brake fade.

## Insta-Trac 4x4 Electric Shift Transfer Case

The Insta-Trac 4x4 system lets you shift on the fly from 2WD to 4x4 High and back, with just the push of a button. Insta-Trac is standard on all 4x4 models.

## Air Bag Deactivation Switch

All S-10 models except Crew Cab come with an Air Bag Off Switch for use when carrying children. Always use safety belts and proper child restraints. See the Owner's Manual for more safety information. Please see the note on child safety at the bottom of this page.

## Extended Maintenance\*

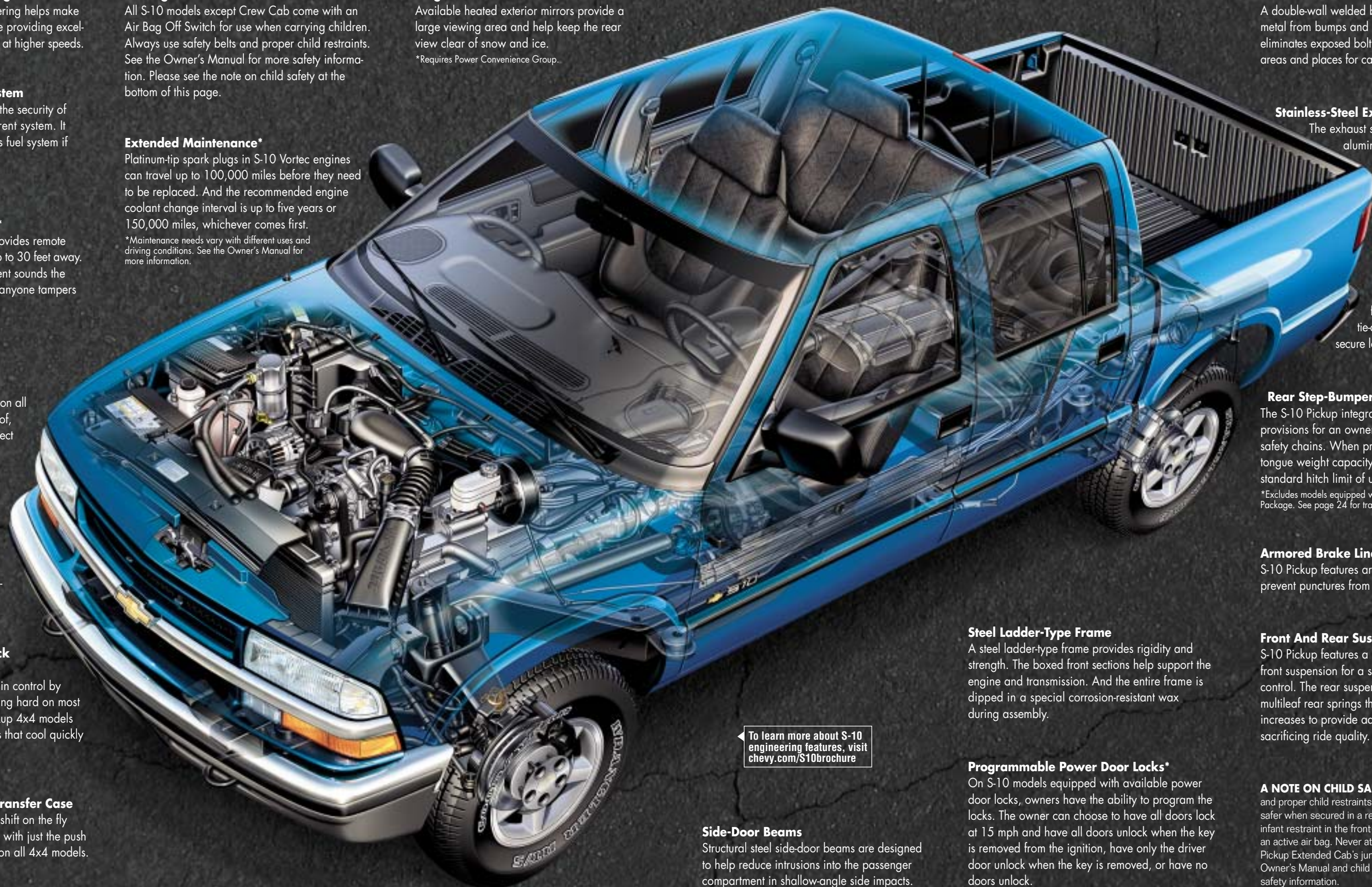
Platinum-tip spark plugs in S-10 Vortec engines can travel up to 100,000 miles before they need to be replaced. And the recommended engine coolant change interval is up to five years or 150,000 miles, whichever comes first.

\*Maintenance needs vary with different uses and driving conditions. See the Owner's Manual for more information.

## Large Heated Exterior Mirrors\*

Available heated exterior mirrors provide a large viewing area and help keep the rear view clear of snow and ice.

\*Requires Power Convenience Group.



To learn more about S-10 engineering features, visit [chevy.com/S10brochure](http://chevy.com/S10brochure)

## Side-Door Beams

Structural steel side-door beams are designed to help reduce intrusions into the passenger compartment in shallow-angle side impacts.

## Double-Wall Welded Box

A double-wall welded box helps protect exterior sheet metal from bumps and dings to the interior box and eliminates exposed bolt heads, reducing potential rust areas and places for cargo to snag.

## Stainless-Steel Exhaust System

The exhaust system is constructed of aluminized stainless steel rear of the converter. Both the S-10 Pickup muffler and exhaust system are designed to provide long-lasting durability.

## Cargo Tie-Downs

Conveniently located in all four corners of the box, cargo tie-downs are provided to help secure loads.

## Rear Step-Bumper With Trailer Hitch\*

The S-10 Pickup integral rear step-bumper includes provisions for an owner-installed ball hitch and safety chains. When properly equipped, you get a tongue weight capacity of up to 350 lbs. and a standard hitch limit of up to 3,500 lbs.

\*Excludes models equipped with the Xtreme Sport Appearance Package. See page 24 for trailering details.

## Armored Brake Lines

S-10 Pickup features armored brake lines to help prevent punctures from road debris.

## Front And Rear Suspension

S-10 Pickup features a rugged independent front suspension for a smooth ride and precise control. The rear suspension includes second-stage multileaf rear springs that engage as load weight increases to provide additional support without sacrificing ride quality.

**A NOTE ON CHILD SAFETY:** Always use safety belts and proper child restraints, even with air bags. Children are safer when secured in a rear seat. Never place a rear-facing infant restraint in the front seat of any vehicle equipped with an active air bag. Never attach a child seat to the S-10 Pickup Extended Cab's jump seat. See your vehicle Owner's Manual and child safety seat instructions for more safety information.

## Steel Ladder-Type Frame

A steel ladder-type frame provides rigidity and strength. The boxed front sections help support the engine and transmission. And the entire frame is dipped in a special corrosion-resistant wax during assembly.

## Programmable Power Door Locks\*

On S-10 models equipped with available power door locks, owners have the ability to program the locks. The owner can choose to have all doors lock at 15 mph and have all doors unlock when the key is removed from the ignition, have only the driver door unlock when the key is removed, or have no doors unlock.

\*Requires Power Convenience Group.



# Take Five.



To learn more about Crew Cab 4x4 capabilities, visit [chevy.com/S10brochure](http://chevy.com/S10brochure)



# Pack Up The Crew.



Learn more about the Crew Cab 4x4 interior at [chevy.com/S10brochure](http://chevy.com/S10brochure)

Chevy S-10 Crew Cab 4x4 lets you and up to four of your closest friends tackle just about any adventure. Inside, S-10 Crew Cab 4x4 features available leather seating surfaces. Four real doors make it easy to get people and gear in and out. And a powerful Vortec 4300 V6 SFI engine and Insta-Trac 4x4 help provide added confidence. Load it up. S-10 Crew Cab 4x4 can handle it with ease.



#### Insta-Trac 4x4

Insta-Trac 4x4 lets you shift on the fly from 2WD to 4x4 High and back with just the touch of a button. Standard on Crew Cab 4x4 and all S-10 4x4 models.



#### Deluxe Cloth Interior

Along with room for five, Crew Cab 4x4 models feature LS trim with front bucket seats and a rear bench seat covered in Deluxe Cloth.

#### Select S-10 Crew Cab 4x4 Standard Features:

- Vortec 4300 V6 SFI engine with 190 hp and 250 lb.-ft. of torque.
- Four-speed automatic overdrive transmission provides nearly seamless shifts.
- Z85 increased capacity suspension.
- Factory-installed bedliner helps protect the bed of the pickup from scratches and dents.
- AM/FM stereo with CD player.
- Remote Keyless Entry makes entry and exit more convenient.
- Programmable power door locks, power windows and power heated outside rearview mirrors.
- Sliding rear window allows for increased ventilation.
- Custom overhead console with stowage compartments, garage door opener compartment, four map lamps, dome lamp, compass and outside temperature display provide added convenience.
- Color-keyed/chrome front and rear bumper, and body-color grille with chrome center bar add to the rugged appearance.



#### Four Real Doors, Seating For Five

Four real doors make getting in and out of the big interior easy.

Chevy S-10 Crew Cab 4x4 interior in Graphite with available leather seating surfaces.



# Live On The Edge.

If you're the kind of person who thrives on putting yourself and your pickup to the test, meet Chevy S-10 ZR2. Beyond its intimidating appearance, S-10 ZR2 has a higher ground clearance than any other S-10 Pickup to help conquer rugged, off-road switchbacks. And Bilstein gas-charged monotube shocks, a reinforced wide-stance chassis and front high-back bucket seats help make the journey a little more comfortable. Chevy S-10 ZR2. It helps you take on life's toughest challenges.

## Select Chevy S-10 Pickup ZR2

### Wide-Stance Performance

#### Package Standard Features:

- Vortec 4300 V6 SFI engine with 190 horsepower and 250 lb.-ft. of torque.
- Revised frame for wide track width. The front and rear track width is 3.9" wider than standard S-10 models.
- Three-inch increase in height over other S-10 4x4 models for a more commanding view of the terrain.
- Strengthened front differential and drive axles for off-road capability.
- Unique rear axle with 8.5" ring gear, larger bearings and longer, larger-diameter axle shafts.
- 4x4 flat five-spoke aluminum wheels with Medium Gray accents for an aggressive appearance.
- 28mm stabilizer bar to help reduce body lean.
- Driver-side third door for convenient access to the rear area.
- Four-wheel antilock disc brakes.
- ZR2 decal.



Find out more about the rugged ZR2 by visiting [chevy.com/S10brochure](http://chevy.com/S10brochure)



Find out more about S-10 LS by visiting [chevy.com/S10brochure](http://chevy.com/S10brochure)



S-10 IS A PROUD SPONSOR OF THE U.S. SNOWBOARD AND SKI TEAMS.



# Make Your Own Rules.



# Take Control.

Like all S-10 Pickups, S-10 Pickup LS models let you live life on your own terms. A driver-side third door that provides easy access to the rear area is now standard on Extended Cab models. The instrument panel features easy-to-read displays. And there's more headroom and shoulder room than you'll find inside Ford Ranger Regular and Extended Cab models.\* Chevy S-10 Pickup LS. Impressively equipped. Impressively capable.

\*Based on 2001 model year GM Medium Pickup segment competitive information.

## Select Chevy S-10 Pickup LS Standard And Available Features:

- Deluxe Cloth 60/40 split-bench front seat with center armrest, driver two-way adjustable lumbar support and dual cup holders (standard in 2WD models, available in 4x4 models).
- Deluxe Cloth high-back front bucket seats with driver two-way adjustable lumbar support and floor-mounted convenience center with dual cup holders (standard in 4x4 models, available in 2WD models).
- AM/FM stereo with CD player.
- Molded, color-keyed door trim panels with integral padded armrests and soft upper cloth insert.
- Two auxiliary power outlets (covered) to power up accessories.
- Body-color front and rear bumpers and body-color air dam.
- Available Exterior Appearance Package that includes chrome front and rear bumpers, body-side and wheel opening moldings with bright insert.
- Available foglamps.

## Instrument Panel

The S-10 Pickup interior provides a commanding view of the road and easy-to-read analog instrumentation. S-10 instrument panel shown with available features.



## Driver-Side Third Door

S-10 Pickup Extended Cab features the versatility and convenience of a standard third door.



## Deluxe 60/40 Split-Bench Seating

S-10 Pickup 2WD interior with Deluxe 60/40 split-bench seating, shown here in Neutral, includes dual front cup holders and convenient storage.

For more about S-10 LS, visit [chevy.com/S10brochure](http://chevy.com/S10brochure)





Get an interactive look at S-10 Xtreme by visiting [chevy.com/S10brochure](http://chevy.com/S10brochure)

Chevy S-10 Xtreme LS Extended Cab Fleetside in Onyx Black with available Accent Appearance Package.

# Beyond Cool.

You're just about guaranteed to turn a few heads when you pull up in a Chevy S-10 Xtreme. Its low, street-hugging look complements the standard ZQ8 Sport Suspension Package. The package includes high-pressure, gas-charged Bilstein shocks, quick-ratio power

steering and wide 16-inch Eagle GA tires mounted on 16- by 8-inch aluminum wheels. Specific ground effects, foglamps and an available stripe package add an even more customized look. With Chevy S-10 Xtreme, style — and stares — are standard.

### Select Chevy S-10 Xtreme Standard And Available Features:

- Vortec 4300 V6 SFI engine.
- LS trim.
- ZQ8 Sport Suspension with high-pressure, gas-charged Bilstein shock absorbers and quick-ratio power steering.
- P235/55R-16 Eagle GA tires on 16- by 8-inch aluminum wheels.
- Monochromatic paint available in Onyx Black, Summit White, Victory Red, Dark Cherry Red Metallic or Indigo Blue Metallic.
- Available Stripe Package.\*
- Available Accent Appearance Package,\* with gold stripes on the hood, roof and tailgate, and gold badging and gold accents on the wheels.

\*The "Xtreme" decal included in the Stripe Package is shipped only to states where it is legal to operate the vehicle with the decal installed on the windshield. NOTE: S-10 models with the Xtreme Package are not engineered or equipped for towing.



Xtreme is available in both Regular Cab and Extended Cab body styles. A Sportside pickup box is also available. The Stripe Package is now available with all Xtreme exterior colors. Shown from left to right are Onyx Black with Competition Yellow, Indigo Blue Metallic with Sparkle Silver, Victory Red with Onyx Black and Summit White with Victory Red.



The Vortec engines in Chevy S-10 models give you the strength you need to tow, haul or pass. For starters, there's the Vortec 2200 four-cylinder engine standard in S-10 2WD models. Or step up to the Vortec 4300 V6 SFI engine (standard in S-10 4x4 models) which has more horsepower and torque than the standard V6 engine found in Dodge Dakota 4x4 models.\* No matter which Vortec engine you choose, you'll get the power and performance you expect from a Chevy Truck.

\*Based on 2001 model year competitive information.

You can get more dirt on S-10 Vortec power by visiting [chevy.com/S10brochure](http://chevy.com/S10brochure)



#### Powertrain Specifications

Engine	Vortec 2200 L4 SFI <sup>1</sup>	Vortec 4300 V6 SFI <sup>1,2</sup>
Displacement (liters)	2.2	4.3
Horsepower @ RPM		
— 2WD	120 @ 5000	180 @ 4400
— 4x4	—	190 @ 4400
Torque (lb.-ft.) @ RPM		
— 2WD	140 @ 3600	245 @ 2800
— 4x4	—	250 @ 2800

#### Transmission Availability

5-Speed Manual with Overdrive 5th	S	S
4-Speed Automatic Overdrive <sup>3</sup>	O	O <sup>4</sup>

#### Model Availability

2WD Regular Cab	S	O
2WD Extended Cab	S	O
4x4 Crew Cab	—	S
4x4 Extended Cab	—	S

S - Standard. O - Optional. 1 Sequential Fuel Injection. 2 Includes engine oil cooler and transmission fluid cooler. 3 Electronically controlled with brake/transmission shift interlock. 4 Four-speed automatic transmission standard on Crew Cab 4x4.

# Vortec Muscle.



# Serious Pull.

## TRAILERING BASICS

Towing a trailer involves all major vehicle systems of your Chevy Truck, including powertrain, steering, suspension and brake systems. Easy and safe trailering requires a properly equipped vehicle, additional trailering equipment and an appropriate trailer. It also requires loading both the vehicle and trailer properly, using safe driving techniques, meeting regional legal requirements and following break-in and maintenance schedules. You are responsible for being sure you have the appropriate equipment and hitch for your specific trailering situation. If you plan to tow a trailer, consult your Owner's Manual or speak to a trailering expert at your Chevrolet dealership or visit our web site at [chevy.com](http://chevy.com). The charts below will assist in determining how to best equip your Chevy Truck for trailering. To help you understand the charts, consider these trailering factors:

### Torque:

Indicates the strength of the engine. Low-end torque reflects how much force is generated to get your vehicle moving.

### Horsepower:

Indicates how much work the engine does at a certain engine speed. At mid- to high-engine rpm, it's what keeps you moving at highway speeds.

### Axle Ratio:

Along with your vehicle's transmission gears, a higher rear axle ratio contributes to how much available torque and horsepower (mechanical leverage) can be applied to the drive wheels for launch and uphill performance. Higher rear axle ratios, however, sacrifice fuel economy when not trailering.

### Ball Hitch Trailering:

There are two types of ball hitches. A weight-carrying hitch (ball and coupler) consists of a ball and coupler with no means to distribute the hitch weight. It is used primarily for lightweight trailers. Heavier trailers, however, require a weight-distributing hitch which uses spring bars to transfer some of the hitch weight forward onto the tow vehicle's front axle and rearward onto the trailer's axle(s).

### Fifth-Wheel Or Gooseneck Trailering:

Often used with the heaviest trailers, fifth-wheel or gooseneck hitches are mounted in a pickup's bed and attached to the truck's frame. The trailer's kingpin weight is located over or slightly in front of the tow vehicle's rear axle.

## RGAWR And GVWR:

Addition of trailer hitch weight cannot cause vehicle weights to exceed Rear Gross Axle Weight Rating (RGAWR) or Gross Vehicle Weight Rating (GVWR). These ratings can be found on the certification label located on the driver door or door frame.

## GCWR:

The GCWR is the total allowable weight of the completely loaded vehicle and trailer including any passengers, cargo, equipment and conversion. A properly equipped tow vehicle and trailer at the maximum GCWR should be able to accelerate and merge with traffic, climb typical interstate grades at highway speeds, handle the combination on most road surfaces and stop adequately within a reasonable distance. The GCWR for your vehicle should not be exceeded.

## Maximum Trailer Rating:

This rating is determined by subtracting the tow vehicle's weight (curb weight) from the GCWR. When a base vehicle (curb) weight is used, additional passengers, equipment and cargo weight must be added, and will reduce the maximum trailer rating.

## TRAILERING CAUTIONS

Note: Please read this Trailering Caution safety information before trailering with your new vehicle.

**Note:** The safety steps described here are by no means the only precautions to be taken when trailering. See the Owner's Manual for the Chevy Truck of your choice for additional guidelines and trailering tips. If you don't use the correct equipment and drive properly, you can lose control of your vehicle when you pull a trailer. For example, if the trailer is too heavy, your vehicle brakes may be less effective. You and your passengers could be seriously injured. Pull a trailer only after taking the following steps:

### Trailer Brakes:

If your trailer weighs more than 1,000 lbs. loaded, then it must have its own adequate brakes. Be sure to read and follow the instructions for the trailer brake controller so that it is installed, adjusted and maintained properly.

- Don't tap into your vehicle's brake system if the trailer's brake system will use more than 0.02 cu. in. of fluid from your vehicle's master cylinder. If it does, neither braking system will work well. You could even lose your vehicle brakes.

- The trailer brake parts must be able to take 3,000 psi of pressure. If not, the trailer brake system must not be used with your vehicle. If everything checks out thus far, have a qualified individual make the brake fluid tap at the port on the master cylinder that sends fluid to the rear brakes. Don't use copper tubing because it will bend and break. Use only double-walled steel brake tubing.

### Hitches:

It's important to have the correct hitch equipment. Crosswinds, large trucks going by and rough roads are just a few of the reasons why you'll need the right hitch. Also note that:

- If you'll be towing a trailer that, when loaded, weighs more than 3,500 lbs., be sure to use a frame-mounted, weight-distributing hitch and sway control of the proper size. The equipment is very important for proper vehicle loading and good handling when you're driving.

## Select 5-10 Towing-Related Features:

- The Vortec 4300 V6 engine standard on 4x4 models allows for towing capacities up to 5,500 lbs. The Vortec 4300 V6 is available on 2WD models and allows these models to tow up to 6,000 lbs.†
- The available Z85 Increased Capacity Package provides a suspension for heavy-duty hauling and includes 32mm twin-tube Delphi shocks and a 29mm front stabilizer bar to better accommodate your towing needs.
- Standard four-wheel antilock brakes help keep you in control by reducing wheel lockup while braking hard on most slippery surfaces. Chevy S-10 Pickup 4x4 models also feature four-wheel disc brakes that cool quickly to help reduce brake fade. That's good to know when you're pulling a heavy load.
- Standard variable-ratio power steering helps make low-speed maneuvering easy while providing excellent response and an on-center feel at higher speeds. These features come in handy when you're trailering.
- The S-10 Pickup integral rear step-bumper with safety chain attachments includes provisions for an owner-installed trailer ball. When properly equipped, you get a tongue weight capacity of up to 350 lbs. and a standard hitch limit of 3,500 lbs.†
- Both the five-speed manual transmission and available four-speed automatic transmission provide smooth shifts, even if you carry heavy loads.

\*Maximum trailer weight ratings are calculated assuming a base vehicle, except for any option(s) necessary to achieve the rating, plus driver. The weight of other optional equipment, passengers and cargo will reduce the maximum trailer weight your vehicle can tow. See your Chevy Truck dealer for additional details. †Excludes models equipped with the Xtreme Package.

## Maximum Trailer Ratings

The weight-carrying hitch limit is a 3,500-lb. trailer with 350-lb. tongue weight. Weight-distributing hitch and sway control required over 3,500-lb. trailer weight.

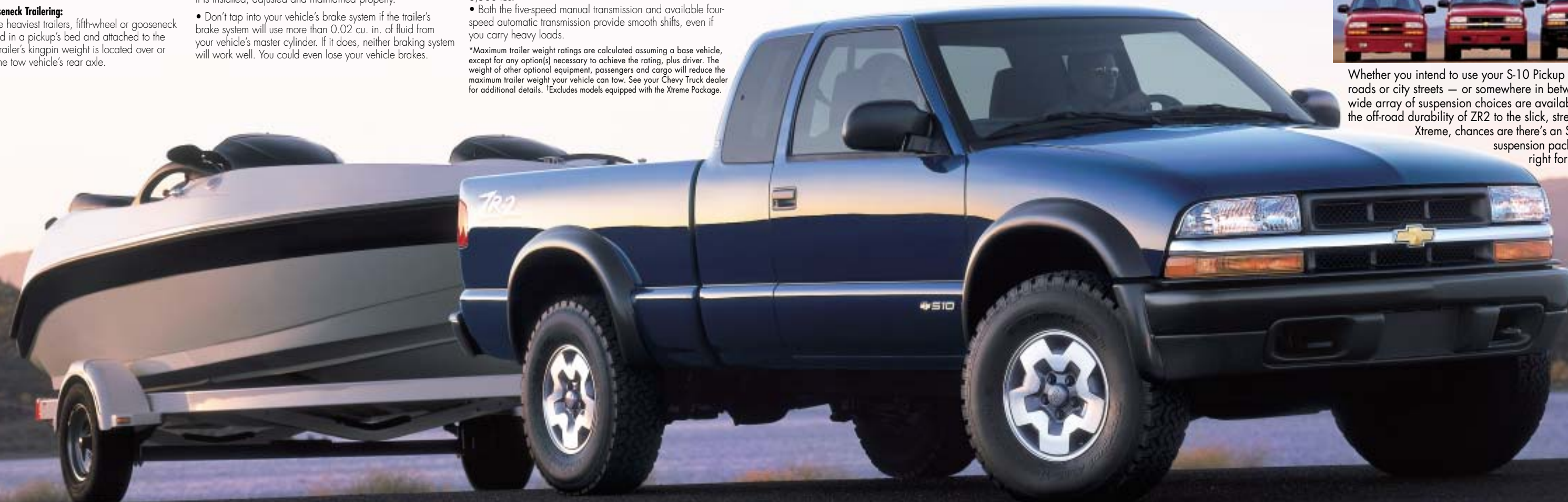
**NOTE:** The S-10 model with the Xtreme Package is not engineered or equipped for towing.

	Manual Transmission Vortec 2200 L4		Automatic Transmission Vortec 2200 L4		Manual Transmission Vortec 4300 V6		Automatic Transmission Vortec 4300 V6	
	Axle Ratio	Maximum Trailer Weight <sup>1</sup> (lbs.)	Axle Ratio	Maximum Trailer Weight <sup>1</sup> (lbs.)	Axle Ratio	Maximum Trailer Weight <sup>1</sup> (lbs.)	Axle Ratio	Maximum Trailer Weight <sup>1</sup> (lbs.)
<b>2WD and 4x4 Models</b>								
S-10 2WD Reg. Cab	3.73	1700	4.10	3200	3.08	4000	3.42	6000
S-10 2WD Ext. Cab	4.10	2000	4.10	3000	3.08	3800	3.42	5800
S-10 4x4 Ext. Cab					3.42	4000	3.42	5500
S-10 4x4 Ext. Cab with ZR2 Package					3.73	4200	3.73	4700
S-10 Crew Cab 4x4							3.42	5200
							3.73	5200

<sup>1</sup> Maximum trailer weight ratings are calculated assuming a base vehicle, except for any option(s) necessary to achieve the rating, plus driver. The weight of other optional equipment, passengers and cargo will reduce the maximum trailer weight your vehicle can tow. See your Chevy Truck dealer for additional details. **NOTE:** Trailer tongue weight should be 10 to 15 percent of total loaded trailer weight (up to 750 lbs.). Addition of trailer tongue weight cannot cause vehicle weights to exceed Rear Gross Axle Weight Rating (RGAWR) or Gross Vehicle Weight Rating (GVWR).  
• Base cooling system includes all content required to attain maximum trailer rating. No optional cooling equipment available.



Whether you intend to use your S-10 Pickup on back roads or city streets — or somewhere in between — a wide array of suspension choices are available. From the off-road durability of ZR2 to the slick, street-cruising Xtreme, chances are there's an S-10 Pickup suspension package that's right for you.





# Make It Your Own.



With available GM Accessories, it's easy to get a customized look and added functionality for your S-10 Pickup. And all GM Accessories installed by your Chevy dealer are backed by the GM 3-year/36,000-mile New Vehicle Limited Warranty.\* GM Accessories. Designed to make your S-10 Pickup even more distinctive.

\*See your dealer for details.  
NOTE: All GM Accessories are optional.

#### Available GM Accessories:

- Bed extender.
- Locking hard foldable tonneau cover.
- Soft tonneau cover.
- Bed rails.
- Cargo net.
- Chrome side step.
- Molded hood protector.
- Bed sport tent.
- Light bar.
- Brush/grille guard.
- Bedliner.
- Carpeted floor mats.
- Weight-distributing hitch.



Ball hitch.

Chrome side step and molded splash guards.



Soft tonneau cover.



Bed sport tent.



Locking hard foldable tonneau cover.



Cargo net.



Bed extender and vinyl bed rail protector.



# You Never Travel Alone.

Chevy Trucks are the most dependable, longest-lasting trucks on the road\* — sold and serviced by the largest dealer network in the USA. When you buy a Chevy Truck, you also get a rock-solid, comprehensive owner protection plan that will be there for you from the moment you take delivery.

The plan includes:

- **New Vehicle Limited Warranty†**
- **24-Hour Roadside Assistance**
- **Courtesy Transportation**

It's an owner protection plan you can believe in.

Your Chevrolet dealer has all the details.

\*Dependability based on longevity: 1981–July 2000 full-line light-duty truck company registrations. Excludes other GM divisions. †3 years/36,000 miles (whichever comes first). See your Chevrolet dealer for details.



## NEW VEHICLE LIMITED WARRANTY

This warranty is for GM vehicles registered in the USA. See your Chevrolet dealer for terms and conditions.

What is covered for 3 years/36,000 miles (whichever comes first):

- The complete vehicle
- Tires
- Towing to your nearest Chevrolet dealership
- Cosmetic corrosion resulting from defects
- Repairs made to correct any vehicle defect
- No charge for most warranty repairs

What is covered for 6 years/100,000 miles (whichever comes first):

- Rust-through corrosion



## 24-HOUR ROADSIDE ASSISTANCE

Call **1-800-CHEV-USA** toll free anytime during the warranty period. Towing and basic technical advice come free with the Basic Care Package. Courtesy Care provides additional features including locksmith services, flat tire changing, fuel delivery, non-warranty towing and jump starts. Some services will incur costs.

Chevrolet reserves the right to modify or discontinue Basic Care and Courtesy Care at any time.

\*During the term of the New Vehicle Limited Warranty.



## FROM DAY ONE ...

The vehicle is checklist-ready for you to drive away, and a full orientation awaits you on everything about your new Chevy.



## COURTESY TRANSPORTATION

Ask your participating Chevrolet dealer for Courtesy Transportation if you drop your vehicle off for repairs under the New Vehicle Limited Warranty. Also see if you qualify for expense reimbursement and/or vehicle rental. Services vary at the election of participating dealer.



## CHEVROLET CUSTOMER ASSISTANCE CENTER

Call **1-800-222-1020** toll free to talk directly to specialists who can handle any product or service concern you may have.



## FOR MORE INFORMATION

on 2002 Chevrolet car or truck products, call **1-800-222-1020** or visit us at **chevy.com**

## Additional Information

### Important: A Word About This Brochure

We have tried to make this brochure comprehensive and factual. We reserve the right, however, to make changes at any time, without notice, in prices, colors, materials, equipment specifications, models and availability. Since information may have been updated since the time of printing, please check with your Chevrolet dealer for complete details. Chevrolet reserves the right to lengthen or shorten the model year for any product for any reason, or to start and end model years at different times.

### SmartLease By GMAC.

For information about SmartLease, SmartBuy or any of the other quality GMAC financing options, see your Chevy dealer, call **1-800-32-SMART** or visit our web site at **www.gmacfs.com**

### The GM Mobility Program.

Chevrolet recognizes the importance of mobility to everyone's life and, therefore, offers financial assistance to persons with disabilities through the General Motors Mobility Program. This program can provide up to \$1,000 reimbursement toward the cost of eligible aftermarket adaptive equipment for drivers or passengers when installed or reinstalled on any eligible purchased or leased new GM vehicle. For details and free resource information, call **1-800-323-9935** (TTY users: **1-800-833-9935**).

### Updated Service Information.

Chevrolet dealers receive useful service bulletins about Chevrolet products. You can order them by calling **1-800-551-4123**.

### Assembly.

Chevrolts and their components are assembled or produced by different operating units of General Motors, its subsidiaries or suppliers to GM worldwide. We sometimes find it necessary to produce Chevrolts with different or differently sourced components than originally scheduled. Since some options may be unavailable when your vehicle is assembled, we suggest that you verify that your vehicle includes the equipment you ordered or, if there are changes, that they are acceptable to you.

### Engines.

Chevrolts are equipped with engines produced by different operating units of GM, its subsidiaries or suppliers to GM worldwide.

### Rust-Through Corrosion Protection.

Chevrolts are designed and built to resist corrosion. All body sheet-metal panels are warranted against rust-through for 6 years/100,000 miles (whichever comes first). Application of additional rust-inhibiting materials is not required and none is recommended. See your Chevrolet dealer for terms of this limited warranty.

### GM Accessories Warranty Information

All GM Official Licensed Products purchased from and/or installed by your GM dealer are covered under the individual accessory manufacturers' warranties, and they are not warranted by General Motors or its dealers. Should any such GM Licensed Product require service, please contact the GM Licensed Product manufacturer identified on the product or its accompanying documentation. If the manufacturer is not so identified, contact your GM dealer to obtain the necessary information.

### GM Protection Plan.

The GM Protection Plan® offers mechanical repair protection in addition to that provided by GM's New Vehicle Limited Warranty. Coverage for vehicle maintenance is also available. Ask your dealer about the GM Protection Plan. Coverage available only in the U.S. and Canada.



### Accelerate Your College savings

GM — along with many other leading companies — has teamed up with Upromise, the revolutionary college savings accelerator that can help you save thousands of dollars for college. When you purchase or lease an eligible new Chevrolet, GM will contribute \$150 into your Upromise college savings account. For complete details on the GM-Upromise program, go to **http://upromise.gm.com**. Enrollment is simple and absolutely free. To receive the \$150 GM contribution, you need to be a Upromise member 30 days before you take delivery of your vehicle.

General Motors, GM, the GM Emblem, Chevrolet, the Chevrolet Emblem, Astro, Blazer, Chevy Express, S-10, Silverado, Suburban, Tahoe, Tracker, TrailBlazer, Crew Cab, Insta-Trac, PASSLock, Solar-Ray, 1-800-CHEVUSA and ZR2 are registered trademarks and Avalanche, Chevy, Vortec, and Xtreme are trademarks of the General Motors Corporation. TheftLock and ETR are registered trademarks of the Delco Electronics Corporation. GMAC, SmartLease and SmartBuy are registered service marks of the General Motors Acceptance Corporation. Kawasaki is a registered trademark of Kawasaki Motors Corp., U.S.A. ©2001 General Motors Corporation. All rights reserved.

Litho in USA.

September 2001

GM is a proud sponsor of the 2002, 2004 and 2006 Olympic Games. Learn more by visiting [chevy.com/s10brochure](http://chevy.com/s10brochure)





# Wheels, Dimensions And Capacities.



**2WD Steel Wheel**  
Standard on 2WD models.



**2WD LS Torqued 5-Spoke Bright Machined-Face Aluminum Wheel**



**2WD Aluminum Sport Wheel (16" x 8")**  
Included with ZQ8 Sport Suspension Package.



**4x4 Steel Wheel**  
Standard on 4x4 models.



**4x4 LS Bright Aluminum Wheel With Medium Gray Accents**  
Available with ZR2 only.



**4x4 LS 5-Spoke Cast-Aluminum Wheel**  
Not available with ZR2.



**2WD Aluminum Xtreme Wheel (16" x 8")**  
Included with 2WD Xtreme Sport Appearance Package only. Includes bright machined-face and painted Argent accents.



**2WD Aluminum Xtreme Wheel (16" x 8")**  
Included with 2WD Xtreme Accent Appearance Package only. Includes bright machined-face and gold-painted accents.

## S-10 Payload

2002 Model Pickups	(A) GVWR <sup>1</sup> (lbs.)	Base Front Curb Weight (lbs.)	Base Rear Curb Weight (lbs.)	(B) Total Base Curb Weight (lbs.)	(A-B) Base Payload <sup>2</sup> (lbs.)
2WD Regular Cab	4200	1737	1305	3042	1157
2WD Extended Cab	4400	1834	1378	3212	1188
4x4 Extended Cab	5150	2321	1448	3761	1362
4x4 Crew Cab	5150	2392	1647	4039	1111

<sup>1</sup> When properly equipped; includes weight of vehicle, passengers, cargo and equipment. <sup>2</sup> Maximum payload capacity includes weight of driver, passengers, optional equipment and cargo.

## S-10 Pickup Box/Cab Availability

Features	Regular Cab	Extended Cab	Crew Cab
Base	•	•	NA
LS	•	•	•
Xtreme	•	•	NA
ZR2	NA	•	NA
Fleetside Box	•	•	•
Sportside Box <sup>1</sup>	•	•	NA

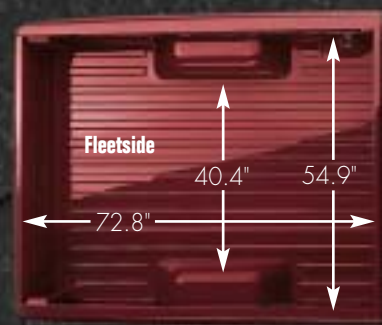
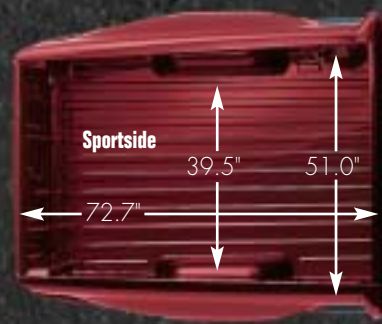
<sup>1</sup> 2WD LS models only.

## S-10 Pickup Height

	Crew Cab 4x4	Ext. Cab	Regular Cab
2WD	—	62.7"	62.0"
4x4	63.4"	63.4"	—



For more information about S-10 features and specifications, visit [chevy.com/S10brochure](http://chevy.com/S10brochure)





# Interior Colors

## Crew Cab 4x4



Graphite



Graphite

**Crew Cab 4x4 Deluxe Cloth Trim.** High-back front bucket seats shown in Graphite.

**Custom Leather Seating Surfaces.** Available with Crew Cab 4x4 only. High-back front bucket seats shown in Graphite.

## Regular Cab and Extended Cab

Graphite



Beige



Beige

**Deluxe Cloth Trim.** Included with Regular Cab and Extended Cab models. 60/40 reclining split-bench seat shown in Medium Gray.

**Deluxe Cloth Trim.** Included with Regular Cab and Extended Cab models. High-back bucket seats shown in Medium Gray.



Graphite

**Custom Cloth Trim.** Included with Regular Cab Base models only. Bench seat shown in Medium Gray.

**The GM Card® — What Are You Charging Toward<sup>SM</sup>?**  
The GM Card rewards you 5% on every credit card purchase, making it the fastest way to save toward the GM car or truck of your dreams. For information or to apply for the GM Card, call 1-800-8GM-CARD or visit our web site at [www.gmcard.com](http://www.gmcard.com).

# Exterior Features

**NOTE:** The S-10 Pickup trim features indicated below reflect only a portion of the total content of each trim level. Some individually available options listed may be included in, or be ordered only with, specific Preferred Equipment Groups. Some models and/or Preferred Equipment Groups are available only in certain geographical regions of the U.S. and option availability may vary by Preferred Equipment Group selected. Some additional ordering restrictions may apply. Please see your Chevy Truck dealer for complete details.

Trim Level	Base	LS	ZR2 <sup>1</sup>	Xtreme <sup>1</sup>	Crew Cab
<b>Exterior Features</b>					
<b>Air dam:</b>					
— Dark Gray	S	0	S	—	—
— body-color (unique air dam with integrated foglamps included with Xtreme)	—	S	—	S	S
<b>Bedliner, factory-installed</b>					
—	—	—	—	—	S
<b>Bumpers, front and rear-step:</b>					
— Dark Gray	S	—	S	—	—
— body-color	—	S	—	S	—
— chrome	—	0 <sup>2</sup>	—	—	S
<b>Daytime Running Lamps (DRL) with Automatic Exterior Lamp Control</b>					
—	S	S	S	S	S
<b>Exterior Appearance Package: includes chrome front and rear bumpers with rub strip, body-side and wheel opening moldings with bright insert</b>					
—	—	0	—	—	—
<b>Foglamps (not available with 4x4)</b>					
—	—	0	—	S	0
<b>Grille:</b>					
— body-color with body-color center horizontal bar	—	—	—	S	—
— Gray with chrome center horizontal bar	S	S	S	—	—
— body-color with chrome center horizontal bar	—	—	—	—	S
<b>Headlamps, composite halogen</b>					
—	S	S	S	S	S
<b>Mirrors, LH and RH, dual foldaway:</b>					
— below-eyeline, black	S	S	—	—	—
— heated power, below-eyeline, black (requires Power Convenience Group)	—	0	S	S <sup>4</sup>	S
<b>Moldings:</b>					
— body-side and wheel opening, with bright inserts	—	0	—	—	—
— Graphite, body-side	—	—	—	—	S
<b>Third door, driver-side (Extended Cab only)</b>					
—	S	S	S	S	—
<b>Tie-downs, cargo: inner panels of box (4)</b>					
—	S	S	S	S	S
<b>Two-sided galvanized steel (except the roof, where it is not needed)</b>					
—	S	S	S	S	S
<b>Chassis Features</b>					
<b>Alternator: 100-amp</b>					
—	S	S	S	S	S
<b>Battery: includes rundown protection and retained accessory power features</b>					
—	S	S	S	S	S
<b>Brakes:</b>					
— 2WD: power-assisted front disc/rear drum	S	S	—	S	—
— 4x4: power-assisted 4-wheel disc	S	S	S	—	S
<b>Brake system, 4-wheel antilock (ABS)</b>					
—	S	S	S	S	S
<b>Cold Climate Package: includes 690 cca heavy-duty battery and engine-block heater</b>					
—	0	0	0	0	0
<b>Differential, locking rear (not available with Vortec 2200 L4 engine)</b>					
—	0	0	S	S	0
<b>Stainless-steel exhaust system, aluminized stainless steel rear of the converter</b>					
—	S	S	S	S	S
<b>Fuel tank: 18-gal. approx. capacity</b>					
—	S	S	S	S	S
<b>Recovery hooks: 2 front (4x4 only)</b>					
—	S	S	S	—	S
<b>Shield Package (4x4 only): includes front differential carrier, transfer case, fuel tank and steering linkage composite skid plates</b>					
—	—	0	S	—	0
<b>Suspension Packages:</b>					
— Z08 Sport Suspension Package	—	0	—	S	—
— ZR2 Wide-Stroke Sport Performance Package	—	—	S	—	—
— Z85 Increased Capacity Package (standard on 4x4 models and 2WD Extended Cab models)	0	S	—	—	S
— Z83 Package	S	—	—	—	—
<b>Steering, power-assisted</b>					
—	S	S	S	S	S
<b>Transfer case, Insta-Trac 4x4, with instrument panel-mounted electric shift control (4x4 models only)<sup>3</sup></b>					
—	S	S	S	—	S
<b>Spare tire (mounted under bed):</b>					
— compact spare	S	S	—	S	—
— full-size spare	0	0 <sup>4</sup>	S	—	S

S — Standard. 0 — Optional.

<sup>1</sup> S-10 ZR2 and Xtreme are LS option packages. The features listed as standard are included in these available packages. <sup>2</sup> Chrome front bumper with rub strip and chrome rear bumper with optional LS Exterior Appearance Package. <sup>3</sup> Does not have Neutral and therefore cannot be dinghy-towed. <sup>4</sup> Not available with the 2WD Z08 Sport Suspension Package.

# Interior Features

Trim Level	Base	LS	ZR2 <sup>1</sup>	Xtreme <sup>1</sup>	Crew Cab
<b>Seating — Regular Cab</b>					
<b>Custom Cloth 3-passenger bench seat with vinyl bolsters, integral head restraints, folding back and dual cup holders<sup>2</sup></b>					
—	S	—	—	—	—
<b>Deluxe Cloth 3-passenger 60/40 split-bench seat with vinyl bolsters, integral head restraints, recliners, center armrest with integral dual bin storage, spring-loaded coin holder, driver 2-way adjustable lumbar support and dual cup holders</b>					
— 2WD models	—	S <sup>3</sup>	—	—	—
<b>Deluxe Cloth high-back bucket seats with vinyl bolsters, integral head restraints, recliners, driver 2-way adjustable lumbar support and floor-mounted convenience console with dual cup holders</b>					
— 2WD models	—	0	—	—	—
<b>Seating — Extended Cab and Crew Cab</b>					
<b>Deluxe Cloth 3-passenger 60/40 split-bench seat with vinyl bolsters, integral head restraints, recliners, center armrest with integral dual bin storage, spring-loaded coin holder and dual cup holders</b>					
— 2WD models	S <sup>4</sup>	S <sup>4</sup>	—	S <sup>4</sup>	—
— 4x4 models	0 <sup>3</sup>	0 <sup>4</sup>	—	—	—
<b>Deluxe Cloth high-back front bucket seats with integral head restraints, recliners, driver 2-way adjustable lumbar support and floor-mounted convenience console with dual cup holders</b>					
— 2WD models	0 <sup>5</sup>	0	—	0	—
— 4x4 models	S	S	S	—	S
<b>Deluxe high-back front bucket seats with leather seating surfaces, integral head restraints, recliners, driver 2-way adjustable lumbar support and floor-mounted convenience console with dual cup holders</b>					
—	—	—	—	0	—
<b>Rear bench with integral head restraints</b>					
—	—	—	—	—	S
<b>Passenger-side easy-entry feature (Extended Cab only)</b>					
—	S	S	S	S	—
<b>Interior Features</b>					
<b>Air bags, driver and right front-passenger; includes key-operated right passenger-side deactivation switch<sup>6</sup></b>					
—	S	S	S	S	—
<b>Air bags, driver and right front-passenger; does not include key-operated right passenger-side deactivation switch<sup>6</sup></b>					
—	—	—	—	—	S
<b>Air conditioning</b>					
—	S	S	S	S	S
<b>Assist handle, passenger-side</b>					
—	S	S	S	S	S
<b>Carpet: on cab back panel</b>					
—	S	S	S	S	S
<b>Coat hooks: LH and RH (foldaway type on Extended Cab)</b>					
—	S	S	S	S	S
<b>Power Convenience Group: includes power door locks, power windows and power remote exterior heated mirrors and Remote Keyless Entry with content theft protection</b>					
—	—	0	S	S	S
<b>Comfort Convenience Group: includes Tilt-Wheel steering column and cruise control</b>					
—	0	0	S	S	S
<b>Console, overhead, with 2 storage compartments, garage door opener compartment, 4 map lamps, dome lamp, electronic compass and outside temperature display</b>					
—	—	—	—	—	S
<b>Door locks, child security, rear</b>					
—	—	—	—	—	S
<b>Door trim panels: color-keyed molded</b>					
— with integral padded armrests	S	—	—	—	—
— with integral padded armrests and soft cloth upper insert	—	S	S	S	S
<b>Floor covering, vinyl: dark gray, full-floor</b>					
—	S	—	—	—	—
<b>Floor carpeting: color-keyed, full-floor</b>					
—	—	S	S	S	S
<b>Floor mats, auxiliary: front floor</b>					
—	—	0	S	S	S
<b>Floor mats, auxiliary: rear floor</b>					
—	—	—	—	—	S

Trim Level	Base	LS	ZR2 <sup>1</sup>	Xtreme <sup>1</sup>	Crew Cab
<b>Glass, Solar-Ray: dark-tinted</b>					
— Regular Cab: rear window only	0	0	—	—	—
— Extended Cab and Crew Cab: rear quarter/door windows and rear window	0	0	S	S	S
<b>Lamps, interior: door-operated dome and front-floor courtesy (with delayed-entry feature)</b>					
—	S	S	S	S	S
<b>Locking:</b>					
— single two-sided key operation of ignition and door locks	S	S	S	S	S
— Remote Keyless Entry with content theft alarm	—	0 <sup>7</sup>	S	S	S
<b>Sunshades:</b>					
— LH and RH, padded color-keyed cloth	S	S	S	S	—
— LH and RH, padded color-keyed cloth with extenders and vanity mirrors	—	—	—	—	S
<b>Window, sliding rear (4x4 only)</b>					
—	—	0	S	—	S
<b>Windows, rear-quarter swing-out (Extended Cab only)</b>					
—	S	S	S	S	—
<b>Instrument Panel/Controls</b>					
<b>Cigarette lighter: located in lighted ashtray</b>					
—	S	S	S	S	S
<b>Flash-to-pass feature</b>					
—	S	S	S	S	S
<b>Insulation: dash panel, doors, cab back, floor and hood, instrument panel, and cowl/fender seal</b>					
—	S	S	S	S	S
<b>Instruments:</b>					
— speedometer, odometer, trip odometer, fuel level, oil pressure, temperature gauge and voltmeter and tachometer	S	S	S	S	S
<b>Mirror, inside rearview: day/night</b>					
—	S	S	S	S	S
<b>PASSlock theft-deterrent system</b>					
—	S	S	S	S	S
<b>Pad, instrument panel: color-keyed, full-width</b>					
—	S	S	S	S	S
<b>Power outlets, auxiliary electric: two (covered)</b>					
—	—	S	S	S	S
<b>Retained accessory power</b>					
—	S	S	S	S	S
<b>Steering wheel: black, 4-spoke</b>					
—	S	—	—	—	—
<b>Steering wheel: black, leather-wrapped, 4-spoke</b>					
—	—	S	S	S	S
<b>Turn-signal reminder chime</b>					
—	S	S	S	S	S
<b>Warning tone: headlamps-on buzzer</b>					
—	S	S	S	S	S

Trim Level	Base	LS	ZR2 <sup>1</sup>	Xtreme <sup>1</sup>	Crew Cab
<b>Audio Systems By Delco Electronics</b>					
<b>NOTE:</b> All S-10 Pickup stereo sound systems include a Delco Electronics Electronically Tuned Receiver (ETR) AM/FM stereo with a digital clock and 4 premium speakers. <sup>9</sup>					
<b>AM/FM stereo</b>					
—	S	—	—	—	—
<b>AM/FM stereo with CD player and auto tone control</b>					
—	0	S	S	S	—
<b>AM/FM stereo with CD player, cassette player and auto tone control</b>					
—	—	0 <sup>7</sup>	0 <sup>8</sup>	0 <sup>8</sup>	S
<b>AM/FM stereo with CD player and six-disc in-dash CD changer</b>					
—	—	0 <sup>10</sup>	0 <sup>10</sup>	0 <sup>10</sup>	0 <sup>10</sup>

S — Standard. 0 — Optional.

<sup>1</sup> S-10 ZR2 and Xtreme are LS option packages. The features listed as standard are included in these available packages. <sup>2</sup> 2WD with Vortec 2200 L4 with manual transmission includes floor-mounted storage tray. <sup>3</sup> Requires automatic transmission. <sup>4</sup> 2WD with Vortec 2200 L4 with manual transmission powertrain, includes 2-inch-shorter armrest and floor-mounted storage tray. <sup>5</sup> Requires Vortec 4300 V6 and manual transmission. <sup>6</sup> Always use safety belts and proper child restraints, even with air bags. Children are safer when properly secured in a rear seat. See the Owner's Manual for more safety information. Air Bag Off Switch for use when carrying children. <sup>7</sup> Requires Power Convenience Group (includes power door locks, power windows and power heated remote exterior mirrors). <sup>8</sup> Speakers located in instrument panel and front doors for Regular Cab and Extended Cab models. <sup>9</sup> Requires high-back bucket seats and automatic transmission. <sup>10</sup> Interim availability.

For more information about S10 features and specifications, visit [chevy.com/S10brochure](http://chevy.com/S10brochure)



# Exterior Colors\*



**Space Blue Metallic**

Available interior colors: Beige, Graphite,† Medium Gray



**Light Pewter Metallic**

Available interior colors: Beige, Graphite,† Medium Gray



**Forest Green Metallic**

Available interior colors: Beige, Graphite,† Medium Gray



**Victory Red**

Available interior colors: Beige, Graphite,† Medium Gray



**Onyx Black**

Available interior colors: Beige, Graphite,† Medium Gray



**Dark Cherry Red Metallic**

Available interior colors: Beige, Graphite,† Medium Gray



**Indigo Blue Metallic**

Available interior colors: Beige, Graphite,† Medium Gray



**Sandalwood Metallic**

Available interior colors: Beige, Graphite,† Medium Gray



**Summit White**

Available interior colors: Beige, Graphite,† Medium Gray

For more information about interior and exterior color choices, visit the color selector at [chevy.com/S10brochure](http://chevy.com/S10brochure)

\*Xtreme only available in Onyx Black, Summit White, Victory Red, Dark Cherry Red Metallic and Indigo Blue Metallic.  
†Crew Cab 4x4 interior available only in Graphite.



# CHEVY TRUCKS LIKE A ROCK



**Avalanche**



**Silverado**



**Suburban**



**Tahoe**



**TrailBlazer**



**Tracker**



**Blazer**



**S-10 Pickup**



**Astro**



**Express LT**

▶ FOR ADDITIONAL INFORMATION ABOUT CHEVROLET VEHICLES, VISIT [CHEVY.COM](http://CHEVY.COM)

AMERICA ONLINE KEYWORD: CHEVY

