

CHEVY TRUCKS  LIKE A ROCK

COMMERCIAL VANS



CHEVY COMMERCIAL VANS. READY FOR A FULL DAY'S WORK.

When there's a tough job to do, you don't surround yourself with part-time workers. You need full-time performers. That means Chevy Commercial Vans. They're part of the family of Chevy Trucks — the most dependable, longest-lasting trucks on the road* — so they're designed to stand up to hard work. And they come equipped with proven engines, rugged chassis components, powerful towing capabilities and comprehensive safety and security features. With many commercial van models to choose from, Chevy has a vehicle to meet almost any application. Chevy Commercial Vans. Ready to handle a full day's work.

*Dependability based on longevity: 1981–July 2000 full-line light-duty truck company registrations. Excludes other GM divisions.

A NOTE ABOUT VEHICLE ALTERATIONS BY INDEPENDENT SUPPLIERS: This brochure shows many vehicles that may have been altered or upfitted with equipment, bodies or components supplied to Chevrolet or its dealers by independent suppliers. Chevrolet is not responsible for the safety or quality of design features, materials or workmanship of any alterations by any such supplier. See the back cover for information about alterations and warranties.



Left to right: G3500 Chevy Express Cargo Van shown in Summit White with a ladder rack from an independent supplier; Chevy Astro Cargo Van shown in Ivory White; and Chevy Express Commercial Cutaway Van shown in Summit White with landscaping body from an independent supplier. See the back cover for information about alterations and warranties.

Cover: G3500 Chevy Express Cargo Van shown in Summit White with a ladder rack from an independent supplier. See the back cover for information about alterations and warranties.

Throughout this brochure, you'll find invitations to learn more about Commercial Van features by visiting chevy.com/csvbrochure

CHEVY TRUCKS. YOUR COMMERCIAL FLEET CENTER.

A big part of what makes your Chevy dealership the top choice for meeting your commercial needs is that it offers a single resource for all your fleet shopping.

Chevrolet Commercial Specialty Vehicle Department. The Chevrolet Commercial Specialty Vehicle (CSV) Department can aid your bottom line by helping you choose the right van for the job. Specially trained CSV personnel offer dealers commercially oriented product knowledge to help spec out different types of vehicle bodies. See your Chevrolet dealer for complete details or call the CSV Express Line at 1-800-759-5550.



Commercial Customer's Choice Program. The 2002 Commercial Customer's Choice Program can upfit selected work vans with a variety of specialty packages (such as steel storage bin packages, running boards, luggage barriers or cash reimbursement for your specific upfit needs) at no additional cost on some packages or at an attractive price on others. See your Chevrolet dealer for complete details.

Goodwrench Fleet Service Card. With the Goodwrench Fleet Service Card, your fuel, service and parts purchases can be consolidated into one easy-to-read monthly Vehicle Analysis Report. Also, a cost-per-mile analysis for each vehicle is provided. All of which can help you save on administrative time, manage your drivers more effectively and assess your fleet's performance.

Chevrolet CSV Web Site. The Chevrolet CSV web site at chevy.com/csv is a great source of commercial information. In addition to viewing various vehicles, you can find a wealth of knowledge on numerous product features. There's also the current quarterly newsletter, the latest commercial vehicle-related offers and promotions, and links to GM resources, such as GM Goodwrench and The GM Card. And there are areas to find valuable information on fleet resources, commercial vehicle shows and events and commercial upfitters.

There's a lot more information about the Chevy Truck Fleet advantage at chevy.com/csvbrochure



Left to right: G2500 Chevy Express Cargo Van shown in Summit White. Chevy Express Commercial Cutaway Van shown in Summit White with cube body from an independent supplier. See the back cover for information about alterations and warranties. Chevy Astro Cargo Van shown in Ivory White.

CHEVY COMMERCIAL MODEL	DRIVE	WHEELBASE (IN.)	STANDARD ENGINE	OPTIONAL ENGINES	MINIMUM/MAXIMUM GVWR (LBS.) ¹	BASE PAYLOAD (LBS.) ²	CARGO SPACE (CU. FT.)	AXLE RATIO (TO 1) ³	STANDARD SEATING	OPTIONAL SEATING
Chevy Astro Cargo Van	RWD AWD	111.2	Vortec 4300 V6	—	5600/5950 (RWD) 5850/6100 (AWD)	1683 (RWD) 1662 (AWD)	170.4	3.42, 3.73 (RWD/AWD)	2	—
Chevy Express Cargo Van G1500 G2500 G3500	RWD	135.0 (Regular) 155.0 (Extended)	G1500/G2500: Vortec 4300 V6 G3500: Vortec 5700 V8	G1500/G2500: Vortec 5000 V8, Vortec 5700 V8 G3500: Vortec 8100 V8 G2500/G3500: 6.5 Liter Turbo-Diesel V8	6100/9500	1506 2517 4171	267.3 (Regular) 316.8 (Extended)	3.42, 3.73, 4.10	2	1
Chevy Express Passenger Van G1500 G2500 G3500	RWD	135.0 (Regular) 155.0 (Extended)	G1500: Vortec 4300 V6 G2500/G3500: Vortec 5700 V8	G1500: Vortec 5000 V8, Vortec 5700 V8 G3500: Vortec 8100 V8 G2500/G3500: 6.5 Liter Turbo-Diesel V8 ⁵	7100/9500	2036 2835 3570	267.3 (Regular) ⁴ 316.8 (Extended) ⁴	3.42, 3.73, 4.10	8 (G1500 Reg.) 12 (G2500 Reg./Ext.) 12 (G3500 Reg./Ext.)	8 (G2500 Reg.) 8 (G3500 Reg.) 15 (G3500 Ext.)
Chevy Express Commercial Cutaway Van G31503 G31803 G31903	RWD	139.0, 159.0, 177.0	Vortec 5700 V8	Vortec 8100 V8 6.5 Liter Turbo-Diesel V8	9500/12,000	5042 5338 7517	—	3.73, 4.10, 4.56	2	1

¹ Gross Vehicle Weight Rating includes vehicle, passengers, equipment and cargo. Higher GVWRs (where available) require optional equipment. ² Payload includes passengers, equipment and cargo. Higher payloads (where available) require optional equipment. Base payload ratings are based on engineering test weights at time of printing and reflect base engines. ³ See your Chevrolet dealer for details on axle ratio availability. ⁴ With rear seats removed. ⁵ Not available with G2500 Extended Wheelbase model.

“WE DEPEND ON CHEVY EXPRESS FOR OUR BUSINESS.”

See even more full-size Chevy Express Cargo Van features at chevy.com/csvbrochure

Chevy Express Cargo Van Features:

- Five available engines, including the Big Block Vortec 8100 V8, three other Vortec gas engines and a 6.5L Turbo-Diesel V8.
- Hydra-matic four-speed OD automatic transmission.
- Hydra-matic four-speed heavy-duty OD automatic transmission standard on Chevy Express Cargo Vans with GVWRs* of 8,600 lbs. and above.
- 600-amp battery.
- Standard four-wheel antilock brakes.
- 56.9" rear-door opening, the widest among full-size vans.†
- 31-gallon fuel tank capacity (approx.).
- At 316.8 cu. ft. of cargo space on Extended Wheelbase models and 267.3 cu. ft. on Regular Wheelbase models, Chevy Express has the largest cargo capacities in its class.†
- Standard 60/40 swing-out side doors. A sliding side door is also available as standard equipment.
- Driver and front-passenger seat in Custom Vinyl.

*Gross Vehicle Weight Rating includes vehicle, passengers, equipment and cargo. †Based on comparably equipped vehicles. Based on 2001 model year GM Large Panel Van segment competitive information. Excludes other GM vehicles.

G3500 Chevy Express Cargo Van shown in Summit White with bins from an independent supplier. See the back cover for information about alterations and warranties.



Mike Dare,
American Mechanical

Hundreds of people rely on Mike Dare of American Mechanical in Royal Oak, Mich., to keep the heat on in winter and to cool the air in summer. That's why he counts on the long-lasting dependability of Chevy Express Cargo Vans for his company's needs. "Nothing's as important as having the trucks on the road. If we had vans breaking down, we'd be done. With our current fleet, we've had very little downtime."^{**} Dare also said the guys who work with the vans every day rave about Chevy Express' cargo area — the largest in its class[†] — and the 56.9" rear opening — the widest in the industry.[†] And the drivers are impressed with the four available Vortec engines, as well as the standard four-wheel ABS. "The guys really like them," he said. "So we'll definitely keep buying Chevy Trucks."

^{*}Each customer's experience will vary. [†]Based on comparably equipped vehicles. Based on 2001 model year GM Large Panel Van segment competitive information. Excludes other GM vehicles.

“WE CHOOSE CHEVY VANS FOR THEIR VERSATILITY AND RELIABILITY.”



G3500 Chevy Express Passenger Van LS Extended Wheelbase shown in Summit White.

Chevy Express Passenger Van Features:

- Eight-passenger seating is standard on G1500 Chevy Express Regular Wheelbase models and available on G2500 and G3500 Chevy Express Regular Wheelbase models.
- Twelve-passenger seating is standard on G2500 and G3500 Chevy Express Regular and Extended Wheelbase models.
- Fifteen-passenger seating is available on G3500 Chevy Express Extended Wheelbase models.
- Five available engines, including the Big Block Vortec 8100 V8, three other Vortec gas engines and a 6.5L Turbo-Diesel V8.
- Hydra-matic four-speed OD automatic transmission.
- Hydra-matic four-speed heavy-duty OD automatic transmission standard on G2500 and G3500 Regular and Extended Wheelbase models.
- 600-amp battery.
- Standard four-wheel antilock brakes.
- 31-gallon fuel tank capacity (approx.).
- Power steering.
- 56.9" rear-door opening, the widest among full-size vans.*
- Driver and front-passenger air bags.†
- Standard 60/40 swing-out side doors. A sliding side door is also available as standard equipment.
- Passenger assist handle.

*Based on comparably equipped vehicles. Based on 2001 model year GM Large Passenger Van segment competitive information. Excludes other GM vehicles. †A NOTE ON CHILD SAFETY: Always use safety belts and proper child restraints, even with air bags. Children are safer when properly secured in a rear seat. Never place a rear-facing infant restraint in the front seat of any vehicle equipped with an active air bag. See your vehicle Owner's Manual and child safety seat instructions for more safety information.

GM ALTERNATIVE FUELS To learn more about the Compressed Natural Gas engine available for Chevy Express, visit chevy.com/csvbrochure



Rinny Dyar,
Valley Limousine

Running a shuttle service requires two things: flexibility and dependability. That's reason enough for Rinny Dyar of Valley Limousine in Scottsdale, Ariz., to rely on Chevy Express Extended Wheelbase Passenger Vans with standard seating for 12 or available seating for up to 15. "Express Passenger Vans are really versatile," Dyar said. "We take the rear seat in and out depending on whether we need room for gear or people." According to Dyar, the reliability of Chevy Express can't be overstated. "We've had Chevy Trucks for 16 years," Dyar said. "We put 40,000 miles a year on some." Chevy Express Passenger Van, with standard four-wheel ABS, driver and front-passenger air bags* and side-door beams, gets the endorsement of the toughest critics — the people who drive them daily. "The guys say they have a real smooth ride and are easy to get people in and out of," Dyar offered. "Their quality has made owning these vans an enjoyable experience."

*See opposite page for more information.



GM Mobility Program. Chevrolet recognizes the importance of mobility to everyone's life and, therefore, offers financial assistance to persons with disabilities through the General Motors Mobility Program. This program can provide up to \$1,000 reimbursement toward the cost of eligible aftermarket adaptive equipment for drivers or passengers when installed or reinstalled on any eligible purchased or leased new GM vehicle.

For details and free resource information, call 1-800-323-9935 (TTY users: 1-800-833-9935) or visit their web site at gm.com/ownership/service/mobility.htm. Mobility aids are supplied and installed by independent upfitters. See the back cover for information about alterations and warranties.



Chevy Express Commercial Cutaway Van shown in Summit White with a Supreme shuttle body from an independent supplier. See the back cover for information about alterations and warranties.

ENGINEERED TO BE CHEVY TRUCK TOUGH.

Precision-Aligned Door Hinges. Designed to remain firmly in position through time and rough driving conditions, door hinges are robotically welded to the door frames for a precise fit.

Lasting Good Looks. A five-step basecoat/clearcoat paint process resists fading and provides a high-gloss shine for long-lasting beauty.

PASSlock Theft-Deterrent System. Standard on Chevy Express. This feature automatically disables the vehicle's fuel system if the proper key is not used in the ignition.

Low Step-In Height. Chevy Express Vans offer a low step-in height, which provides easy access for passengers.

Longest Load Floors.* At 127.6 inches for regular wheelbase models and 147.6 inches for extended wheelbase models, Chevy Express has the longest load floors in its class.* In extended wheelbase models you can haul 12-foot rolls of carpeting with the rear doors closed; in regular wheelbase models you can haul 10-foot rolls.

Standard 60/40 Swing-Out Doors Or Available Sliding Side Door. To make passenger and cargo loading more convenient, swing-out side doors are standard. A sliding side door is also available at no additional cost.

Corrosion-Resistant Exterior Panels. Two-sided galvanized-steel exterior body panels (except the roof) help reduce cosmetic corrosion on the outside surface (resulting from scratches and chips), as well as rust-through corrosion originating on the inside surfaces.

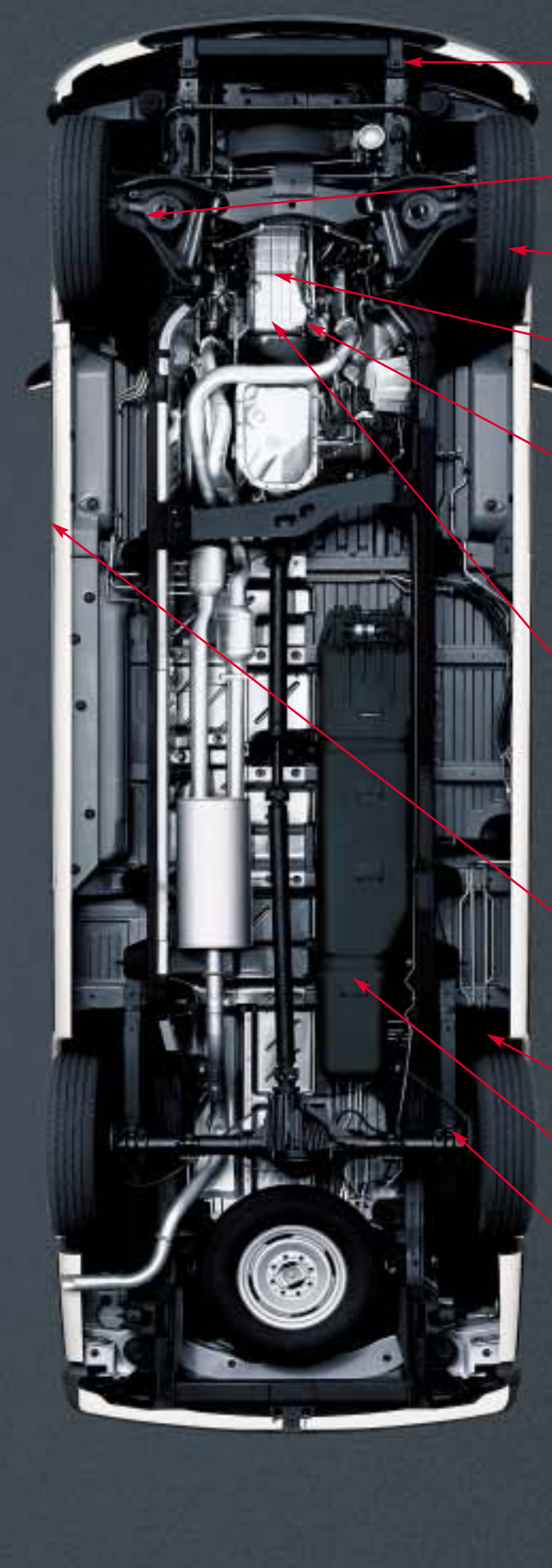
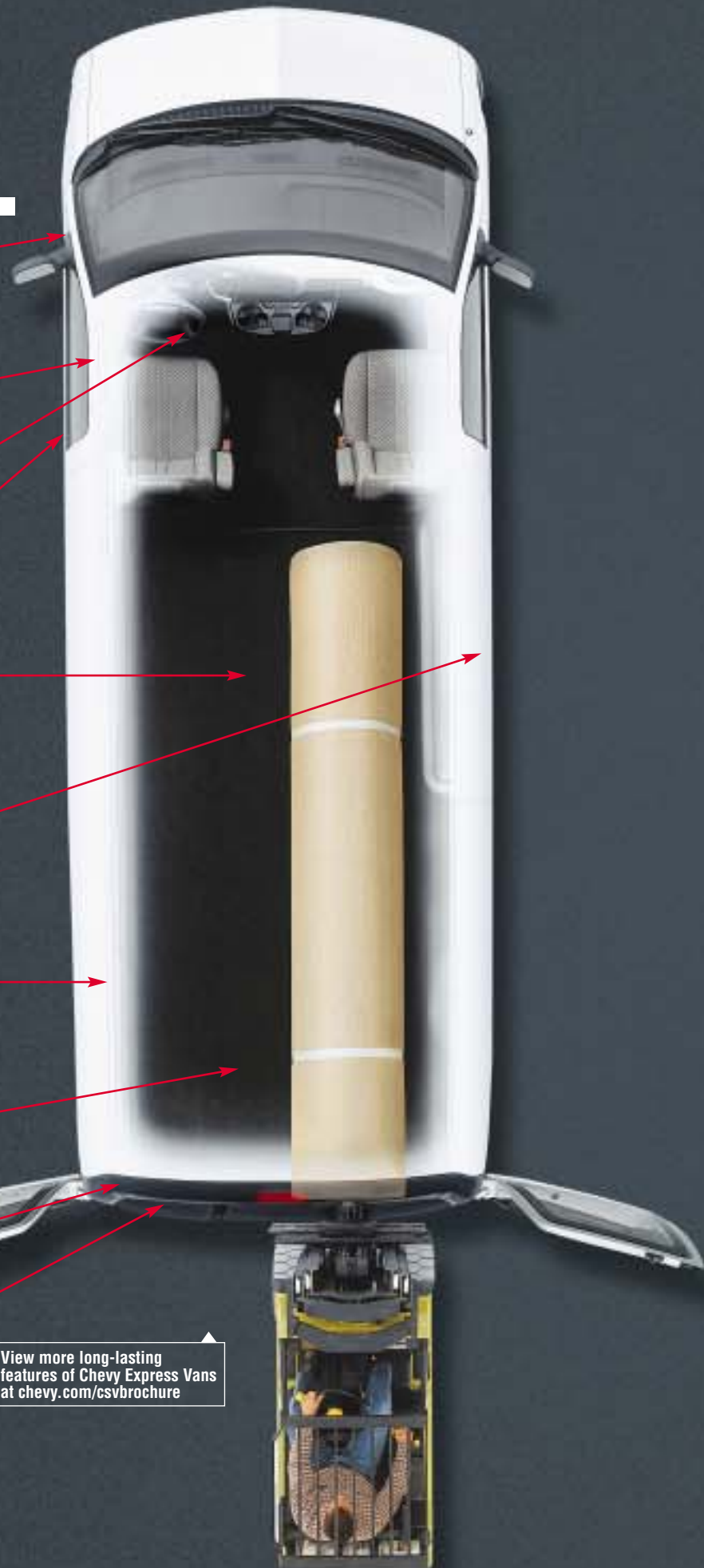
Largest Cargo Capacities.* At 316.8 cu. ft. of cargo space on extended wheelbase models and 267.3 cu. ft. on regular wheelbase models, Chevy Express has the largest cargo capacities in its class.*

Protective Composite Halo. A composite cap panel above the rear doors helps protect paint from damage when loading and unloading roof carrier equipment and tools.

Widest Rear-Door Opening.* At 56.9 inches, Chevy Express has the widest rear-door opening of any full-size van.* Full-vehicle-width rear doors open an unimpeded 165 degrees, which gives you the ability to back Chevy Express up close to loading docks for easy access.

View more long-lasting features of Chevy Express Vans at chevy.com/csvbrochure

10 ► FOR MORE INFORMATION, VISIT chevy.com



Crush Zones. Front and rear structures are designed to help absorb energy by deforming in a controlled manner during a collision.

Independent Front Suspension. A rugged and reliable independent front suspension contributes to the precise control and comfortable ride of every Chevy Express.

Standard Four-Wheel Antilock Brake System. This system helps the driver maintain steering control by reducing wheel lockup while braking hard on most slippery surfaces.

Plenty Of Power. Chevy Express Passenger and Cargo Vans offer four different Vortec engines, including the powerful Big Block Vortec 8100 V8 and 6.5L Turbo-Diesel V8, to meet all of your driving, cargo-carrying and towing demands. (Availability depends on series and model selected.)

Compressed Natural Gas (CNG) Engine. Chevy Express Commercial Vans are among the newest additions to the GM Alternative Fuel Vehicle lineup. When properly equipped, these Clean Fuel Fleet Chevy Express Vans run on compressed natural gas and satisfy both the Energy Policy Act (EPA) and Clean Air Act mandates. They also run on conventional gasoline and qualify as low emission vehicles that meet Clean Air Act mandates. Like all GM Alternative Fuel Vehicles, these vans have been tested in harsh conditions and have passed with flying colors.

100,000-Mile Maintenance. Vortec engines can travel up to 100,000 miles before their first scheduled spark plug replacement, thanks to platinum-tip spark plugs. And they can go up to 150,000 miles or five years, whichever comes first, before their first scheduled coolant change. Maintenance needs vary with different driving uses and conditions. See the Owner's Manual for more information.

Two Available Wheelbases. On G2500 and G3500 Chevy Express Commercial Vans, two wheelbase lengths are available (135" and 155") to help ensure your various commercial load-carrying needs are met.

Full-Length Boxed Frame. Chevy Express has the only full-length boxed frame in its class,* which adds to its overall strength and rigidity.

Large-Capacity Fuel Tank. Chevy Express Cargo and Passenger Vans have 31-gallon (approx.) fuel tanks, so you can travel plenty of miles between fill-ups.

Two-Stage Multileaf Rear Springs. Specially designed multileaf rear springs engage as the load weight increases, providing additional support without reducing ride quality.

*Based on 2001 model year GM Large Panel Van segment competitive information. Excludes other GM vehicles.

DELIVERING FULL-SIZE STRENGTH AND POWER.



Chevy Express Commercial Cutaway Van shown in Summit White with Supreme cube body from Supreme Corp. See the back cover for information about alterations and warranties.

Chevy Express Commercial Cutaway Van Features:

- Wheelbase lengths of 139", 159" and 177"
- Standard four-wheel antilock brakes.
- Single or dual rear wheels.
- Three available engines, including the Big Block Vortec 8100 V8 and a 6.5L Turbo-Diesel V8.
- Full-length steel-frame chassis.
- Specially designed two-stage multileaf rear springs.
- Welded ladder-type frame construction.
- Hydra-matic four-speed heavy-duty OD automatic transmission.
- Stainless-steel exhaust system.
- 600-amp battery.
- 130-amp alternator.
- 35-gallon fuel tank capacity (approx.).

Chevy Express Commercial Cutaway Van shown in Summit White with Spartan cube body from Supreme Corp. See the back cover for information about alterations and warranties.

Read the big story behind Chevy Express Commercial Cutaway Van at chevy.com/csvbrochure

Some jobs require something extra. Size. Strength. Power. When you add a commercial cube body to a Chevy Express Commercial Cutaway Van chassis, you have a truck that has all those extras and more. Three wheelbase lengths (139", 159" and 177") are available to make certain your various commercial needs are met. A 4,300-lb. front axle is standard, while Gross Vehicle Weight Ratings* (GVWRs) up to 12,000 pounds are available. You can choose between two Vortec V8 engines (including a 340-horsepower Vortec 8100 V8) or a 6.5L Turbo-Diesel. The thoughtfully designed full-size cab has the most legroom in its class† and ample space up front to make getting in and out easy. When you need something extra to get the job done, Chevy Express Commercial Cutaway Van delivers.

*Gross Vehicle Weight Rating (GVWR) includes vehicle, passengers, equipment and cargo. †Based on 2001 model year GM Large Cutaway Van segment competitive information. Excludes other GM vehicles.

“ASTRO HAS ALL THE CARGO ROOM AND POWER I NEED.”

Chevy Astro Cargo Van Features:

- Vortec 4300 V6 SFI engine.
- Hydra-matic four-speed OD automatic transmission.
- Standard four-wheel antilock brakes.
- 27-gallon fuel tank capacity (approx.).
- Power steering.
- 170.4 cu. ft. of cargo space.
- Up to 5,800 lbs. of towing capacity, when properly equipped — which means Astro Cargo Van out-tows all front-wheel-drive minivans, some by a ton or more.*
- Sliding side door, without a window. Also available with a fixed window.
- Tow/Haul mode.
- Available All-Wheel-Drive.

*Based on 2001 model year GM Medium Van segment competitive information. Excludes other GM vehicles. Maximum trailer weight ratings are calculated assuming a base vehicle, except for any option(s) necessary to achieve the rating, plus driver. The weight of other optional equipment, passengers and cargo will reduce the maximum trailer weight your vehicle can tow. See your Chevy Truck dealer for additional details.



See how Astro Cargo Van can deliver for you at chevy.com/csvbrochure

Chevy Astro Cargo Van shown in Ivory White.



Lee Ross,
Mail Boxes Etc.
franchisee.

Lee Ross, owner of Mail Boxes Etc. franchises in Indianapolis and Avon, Ind., knew that to run a successful shipping business she'd need a reliable van with plenty of cargo room and power. With 170.4 cu. ft. of cargo space and a 190-hp Vortec 4300 V6 engine, Astro Cargo Van more than lives up to those demands. "Our Astro has so much more cargo room than the Caravan we had," Ross said. "And the Vortec V6 has a lot of power on the highway." Chevy Astro Cargo Van is solidly built, with an independent front suspension and up to 5,800 lbs.* of towing capacity, when properly equipped. Four-wheel ABS and available All-Wheel-Drive head up a list of features designed to help keep you safe. "One thing that stands out is the dependability," Ross said. "That's important because I tell people we'll pick up and deliver anytime. Astro has been a great asset to the business."

*See above for more information.

DEPENDABILITY IS BUILT RIGHT IN.

Daytime Running Lamps With Automatic Exterior Lamp Control. During daytime driving situations, headlamps engage at reduced intensity to make Chevy Astro more conspicuous to other drivers. Headlamps and other exterior lamps automatically illuminate at night and in low-light conditions.

Tow/Haul Mode. The Tow/Haul mode enhances towing performance while pulling a trailer or hauling heavy loads. The function lengthens the transmission shift timing and helps reduce throttle pedal activity by the driver.

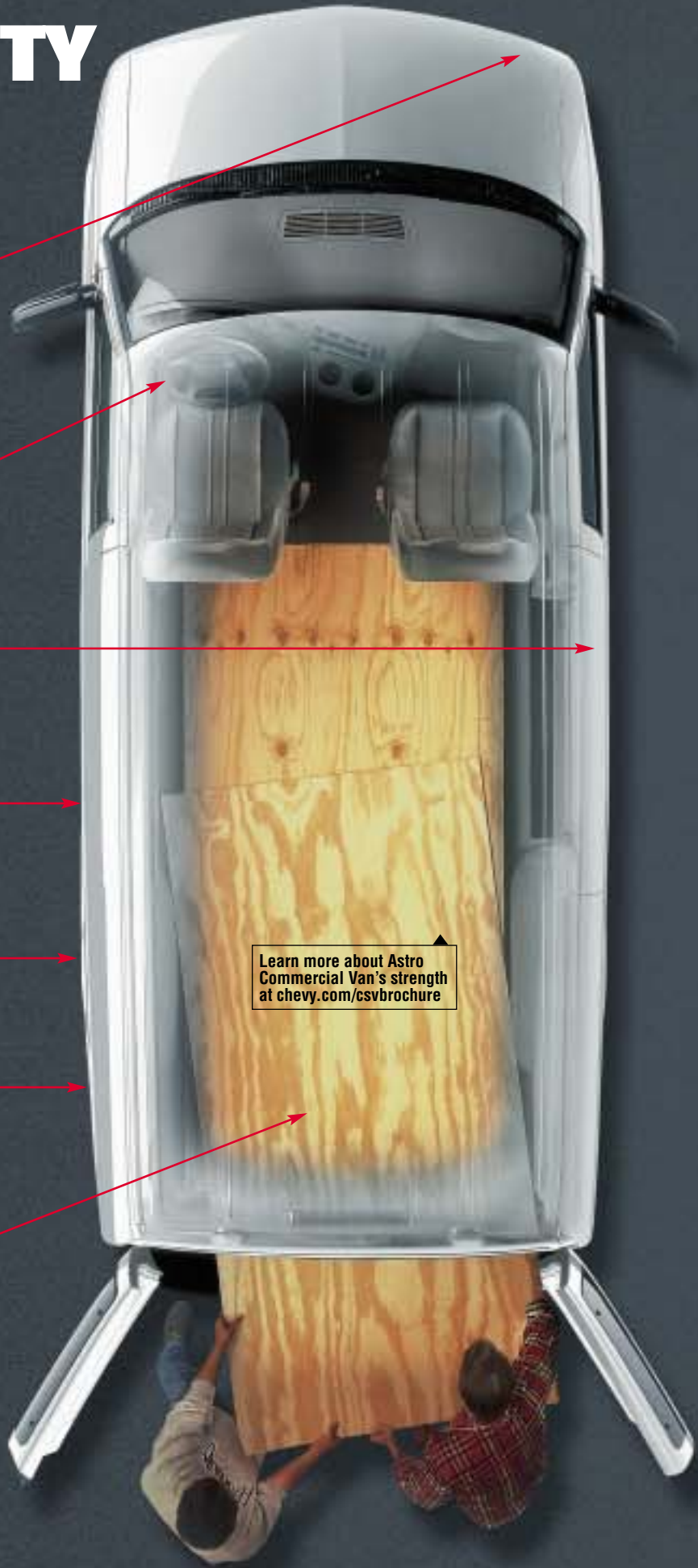
Standard Sliding Side Door. The sliding side door on Astro Cargo Van allows for convenient loading of cargo and bulky items. The door comes without a window, but is available with a fixed window.

Two-Sided Galvanized-Steel Exterior Body Panels. Two-sided galvanized steel on all exterior panels (except the roof) helps eliminate cosmetic corrosion caused by scratches and chips, as well as rust-through from the inside surface.

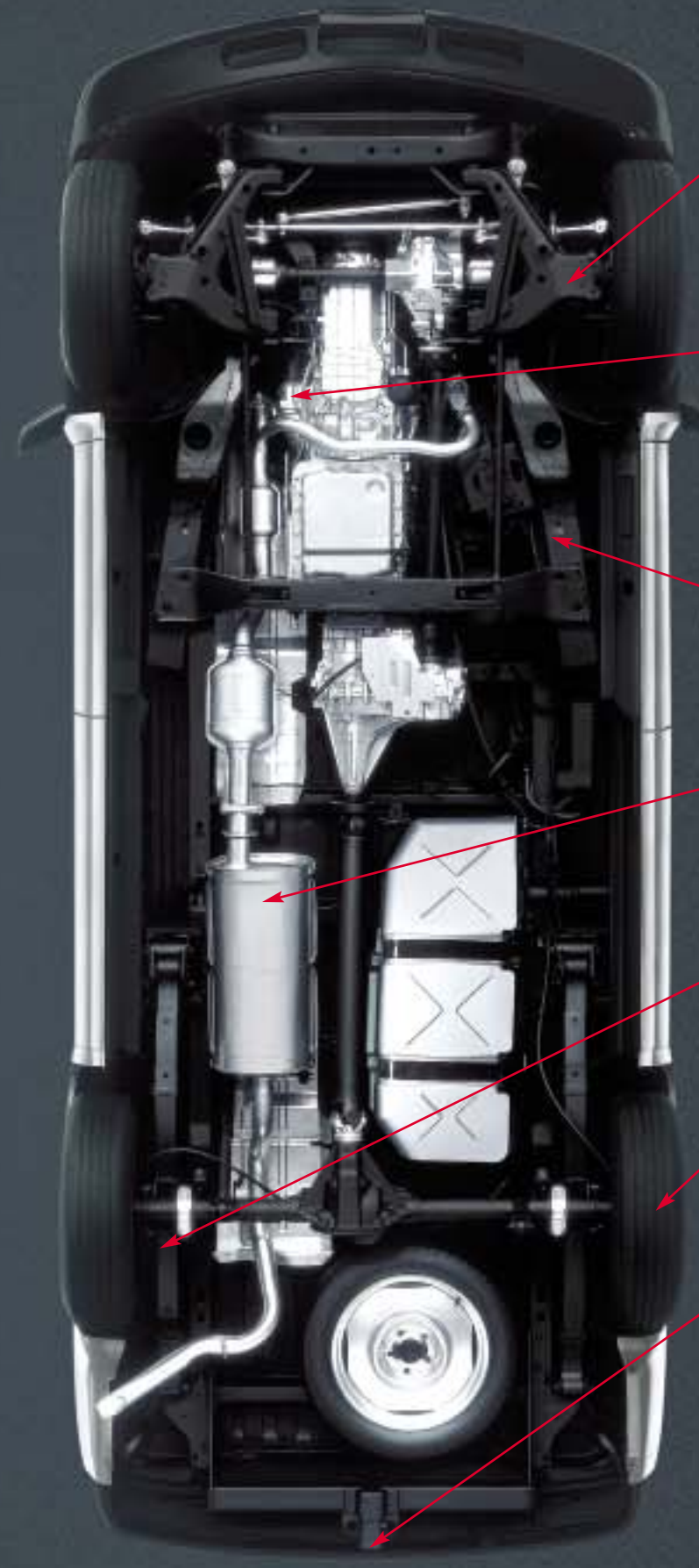
Unibody Construction. A partial front ladder-type stub-frame combines with the floor panels to give Astro Cargo Van added rigidity.

All-Wheel-Drive. Astro Cargo Van, unlike most minivans, offers an available All-Wheel-Drive system that allows the vehicle to operate normally in rear-wheel drive until the system senses rear-wheel slippage. It then transfers torque to the front axle for added traction.

Cargo Space. Astro has an impressive 170.4 cu. ft. of cargo space and more than enough cargo floor width to add a bin package available through the Commercial Customer's Choice Program. Or you can choose the Protecto-Van option, which includes an Adrian Steel floor mat.



Learn more about Astro Commercial Van's strength at chevy.com/csvbrochure



Independent Front Suspension. Astro Cargo Van features a rugged and reliable independent front suspension (with coil spring design on rear-wheel-drive models, torsion bars on All-Wheel-Drive models). The Short/Long Arm design helps keep the front wheels virtually straight up and down at all times for a comfortable ride and precise control.

100,000-Mile Maintenance. Vortec engines can travel up to 100,000 miles before their first scheduled spark plug replacement, thanks to platinum-tip spark plugs. And they can go up to 150,000 miles or five years, whichever comes first, before their first scheduled coolant change. Maintenance needs vary with different uses and driving conditions. See the Owner's Manual for more information.

Rubber Cushion Body Mounts. Ride harshness and road noise are reduced by vibration-dampening components that isolate the body from the suspension.

Stainless-Steel Exhaust System. The muffler and exhaust system (from the converter back) are made of corrosion-resistant aluminized stainless steel and are designed to provide long-lasting durability.

Variable-Rate Multileaf Rear Springs. Specially designed springs help provide Astro Cargo Van with a smooth, controlled ride.

Standard Four-Wheel Antilock Brake System. This system helps the driver maintain steering control by reducing wheel lockup while braking hard on most slippery surfaces.

Towing Power. Thanks to its powerful Vortec 4300 V6 SFI engine and rear-wheel drive, Astro Cargo Van can tow up to 5,800 lbs.— in fact, Astro Cargo Van out-tows all front-wheel-drive minivans, some by a ton or more.*

*Based on 2001 model year GM Medium Van segment competitive information. Excludes other GM vehicles. Maximum trailer weight ratings are calculated assuming a base vehicle, except for any option(s) necessary to achieve the rating, plus driver. The weight of other optional equipment, passengers and cargo will reduce the maximum trailer weight your vehicle can tow. See your Chevy Truck dealer for additional details.

CHEVY COMMERCIAL VANS. YOUR PARTNERS IN POWER.

Towing and hauling is serious work. So you need a van with serious power. The kind of power you expect from Chevy Truck, and the kind delivered by every Chevy Commercial Van. The source of this power includes a series of Vortec engines that have the dependable strength you need to help get a heavy load moving and keep it moving, even on a steep grade. A Chevy Express Cargo Van powered by an available Vortec 8100 V8 can trailer up to 10,000 lbs.,* when properly equipped, while Astro Cargo Van out-tows all front-wheel-drive minivans, some by a ton or more.† Chevy Commercial Vans. Your partner for the long haul.

*Maximum trailer weight ratings are calculated assuming a base vehicle, except for any option(s) necessary to achieve the rating, plus driver. The weight of other optional equipment, passengers and cargo will reduce the maximum trailer weight your vehicle can tow. See your Chevy Truck dealer for additional details. †Based on 2001 model year GM Medium Van segment competitive information. Excludes other GM vehicles.

Trailer Basics

Towing a trailer involves all major vehicle systems of your Chevy Truck, including powertrain, steering, suspension and brake systems. Easy and safe trailering requires a properly equipped vehicle, additional trailering equipment and an appropriate trailer. It also requires loading both the vehicle and trailer properly, using safe driving techniques, meeting regional legal requirements and following break-in and maintenance schedules. You are responsible for being sure you have the appropriate equipment and hitch for your specific trailering situation. If you plan to tow a trailer, consult the Owner's Manual and speak to a trailering expert at your Chevrolet dealership or visit our web site at chevy.com

The chart at right will assist in determining how to best equip your Chevy Truck for trailering. To help you understand the charts, consider these trailering factors:

Horsepower: Indicates how much work the engine does at a certain engine speed. At mid- to high-engine rpm, it's what keeps you moving at highway speeds. (See pages 22-25 for hp/torque numbers.)

Torque: Indicates the strength of the engine. Low-end torque reflects how much force is generated to get your vehicle moving. (See pages 22-25 for hp/torque numbers.)

Axle Ratio: Along with your vehicle's transmission gears, a higher rear axle ratio contributes to how much available torque and horsepower (mechanical leverage) can be applied to the drive wheels for launch and uphill performance. Higher rear axle ratios, however, sacrifice fuel economy when not trailering.

Ball Hitch Trailering: There are two types of ball hitches. A weight-carrying hitch consists of a ball and coupler with no means to distribute the hitch weight. It is used primarily for light-weight trailers. Heavier trailers, however, require a weight-distributing hitch which uses spring bars to transfer some of the hitch weight forward onto the tow vehicle's front axle and rearward onto the trailer's axle(s).

RGAWR and GVWR: Addition of trailer hitch weight cannot cause vehicle weights to exceed Rear Gross Axle Weight Rating (RGAWR) or Gross Vehicle Weight Rating (GVWR). These ratings can be found on the certification label located on the driver door or door frame.

GCWR: The Gross Combination Weight Rating (GCWR) is the total allowable weight of the completely loaded vehicle and trailer including any passengers, cargo, equipment and conversion. A properly equipped tow vehicle and trailer at the maximum GCWR should be able to accelerate and merge with traffic, climb typical interstate grades at highway speeds, handle the combination on most road surfaces, and stop adequately within a reasonable distance. The GCWR for your vehicle should not be exceeded.

Maximum Trailer Rating: This rating is determined by subtracting the tow vehicle's weight (curb weight) from the GCWR. When a base vehicle (curb) weight is used, additional passengers, equipment and cargo weight must be added and will reduce the maximum trailer rating.

GROSS COMBINATION WEIGHT RATINGS FOR TRAILERING – AUTOMATIC TRANSMISSION

GCWR (LBS.)	9500	10,000	10,500	11,000	12,000	13,500	14,500	15,000	17,000	19,000
ENGINE	REAR AXLE RATIO									
Vortec 4300 V6	3.42	3.73	4.10							
Vortec 5000 V8	3.42									
Vortec 5700 V8			3.42		3.73	4.10	4.56 ¹			
6.5L Turbo-Diesel V8							3.73	4.10	4.56 ¹	
Vortec 8100 V8								3.73	4.10	4.56 ¹

¹ Available on Chevy Express Commercial Cutaway models only.

NOTE: The Gross Combination Weight Rating (GCWR) is the total allowable weight of the completely loaded vehicle and trailer, including any passengers, cargo, equipment and conversion.

NOTE: The vehicle owner is responsible for obtaining the hitch ball, a hitch of the proper size, type and capacity, and other appropriate equipment required to safely tow both the trailer and the load that will be towed. Ask your Chevrolet dealer for advice about towing and the proper towing equipment for your new vehicle.

TRAILERING CAUTIONS

NOTE: Please read this Trailering Caution safety information before trailering with your new vehicle. The safety steps described here are by no means the only precautions to be taken when trailering. See the Owner's Manual for the Chevy Truck of your choice for additional guidelines and trailering tips. If you don't use the correct equipment and drive properly, you can lose control of your vehicle when you pull a trailer. For example, if the trailer is too heavy, your vehicle brakes may be less effective. You and your passengers could be seriously injured. Pull a trailer only after taking the following steps:

TRAILER BRAKES: If your trailer weighs more than 1,000 lbs. loaded, then it must have its own adequate brakes. Be sure to read and follow the instructions for the trailer brake controller so that it is installed, adjusted and maintained properly. Don't tap into your vehicle's brake system if the trailer's brake system will use more than 0.02 cu. in. of fluid from your vehicle's master cylinder. If it does, neither braking system will work well. You could even lose your vehicle's brakes. The trailer brake parts must be able to take 3,000 psi of pressure. If not, the trailer brake system must not be used with your vehicle. If everything checks out thus far, have a qualified individual make the brake fluid tap at the port on the master cylinder that sends fluid to the rear brakes. Don't use copper tubing because it will bend and ultimately break. Use only double-walled steel brake tubing.

HITCHES: It's important to have the correct hitch equipment. Crosswinds, large trucks going by and rough roads are just a few of the reasons why you'll need the right hitch. Here are some rules to follow: Be sure to use a frame-mounted, weight-distributing hitch and sway control of the proper size if you'll be towing a trailer that, when loaded, weighs more than 2,000 lbs. (Astro); 4,000 lbs. (Chevy Express). The equipment is very important for proper vehicle loading and good handling when you're driving. If you have to make any holes in the body of your vehicle to install a trailer hitch, be sure to seal the holes if you ever remove the hitch. If they're not sealed, dirt, water and deadly carbon monoxide from the exhaust can get into your vehicle.



THE RIGHT TOOLS FOR THE JOB.

Having the right tools makes any job easier. And you can make sure your Chevy Commercial Van is outfitted with all the right tools or bin packages through the Commercial Customer's Choice Program. Keep reading for more details.

Commercial Customer's Choice Program*

As a valued commercial customer, Chevy Trucks offers you the choice of one of the following bonus packages on eligible 2002 model year GM commercial vehicles exclusively through our Commercial Customer's Choice Program.

(Option A) — Adrian Upfit Packages†

A choice of eligible Adrian Steel** ladder rack, bin or running board packages, including the newly available Industrial Ladder Rack Package with a partition, Adrian cargo area mat and double lock-down ladder rack. Qualified customers may purchase or lease an eligible vehicle and Chevy will help pay for the eligible upfit package.

OR (Option B) — Cash Reimbursement

Should you need additional equipment for your Chevy Express or Astro Commercial Van, you may be eligible to receive cash reimbursement from Chevrolet for between \$300 and \$900 on an eligible upfit, depending on the vehicle and upfit selected.

OR (Option C) — DeWALT Tools

This option entitles Chevy Cargo Van customers to receive \$1,000 in DeWALT Tools and accessories when they purchase or lease an eligible commercial van††

This is a great opportunity to enhance an already-satisfying ownership experience. See your dealer for complete details and a brochure showing all the available upfit packages and tools, or visit the Chevy Commercial Customer's Choice web site at chevy.com/csv

*Packages are available only to qualified commercial customers requiring the use of work-type trucks in their daily business operations. You must take delivery during program period. Vehicle must be registered in business name. Ask your dealer for details. †These installations to the vehicle are not covered by the General Motors New Vehicle Limited Warranty. The upfitter is solely responsible for the warranties on the equipment and any installation (or the effect of any installations) to any of the parts, components, systems or assemblies installed by GM. General Motors is not responsible for the safety or quality of design features, materials or workmanship of any installations. **Adrian Steel offers a limited warranty on all their products against defective workmanship and materials for 36 months or 36,000 miles. See your Adrian Steel distributor for details. ††Allow approximately two weeks to receive order form.



Above, top row: Chevy Express Cargo Van bin package. Above, bottom row, from left: running boards available for Chevy Express Passenger Van; luggage barrier available for G2500 Chevy Express Passenger Van Extended Wheelbase.

Adrian Upfit Packages

To help your commercial vehicles work even harder, Adrian Upfit Packages are available for Chevy Express and Astro Commercial Vans*. To ensure your van is upfit quickly, there is a network of more than 300 Adrian dealers around the country ready to add your bins in days, rather than weeks. Adrian dealers work closely with business owners to ensure minimum hassle and downtime. The package shown above is available on Chevy Express Cargo Van at no additional cost and offers a versatile work area. In addition, there are specialized packages for Chevy Express and also several available packages for Astro Cargo Van. See your Chevy dealer for complete details and literature on eligible packages.

*Excludes Chevy Express Commercial Cutaway Vans.

DeWALT Tools

Joseph Kundert of Delphos Restaurant Equipment in Delphos, Ohio, knew he was getting a strong work van when he purchased his Astro Cargo Van. After all, they're the only vans he's had for more than a decade, and he says they've served the business well. But Kundert knew it was an even better buy when he found out he could get \$1,000 worth of DeWALT Tools through the Commercial Customer's Choice Program.* "The program made it real easy to get the tools," Kundert explained. "It has worked out great for us."



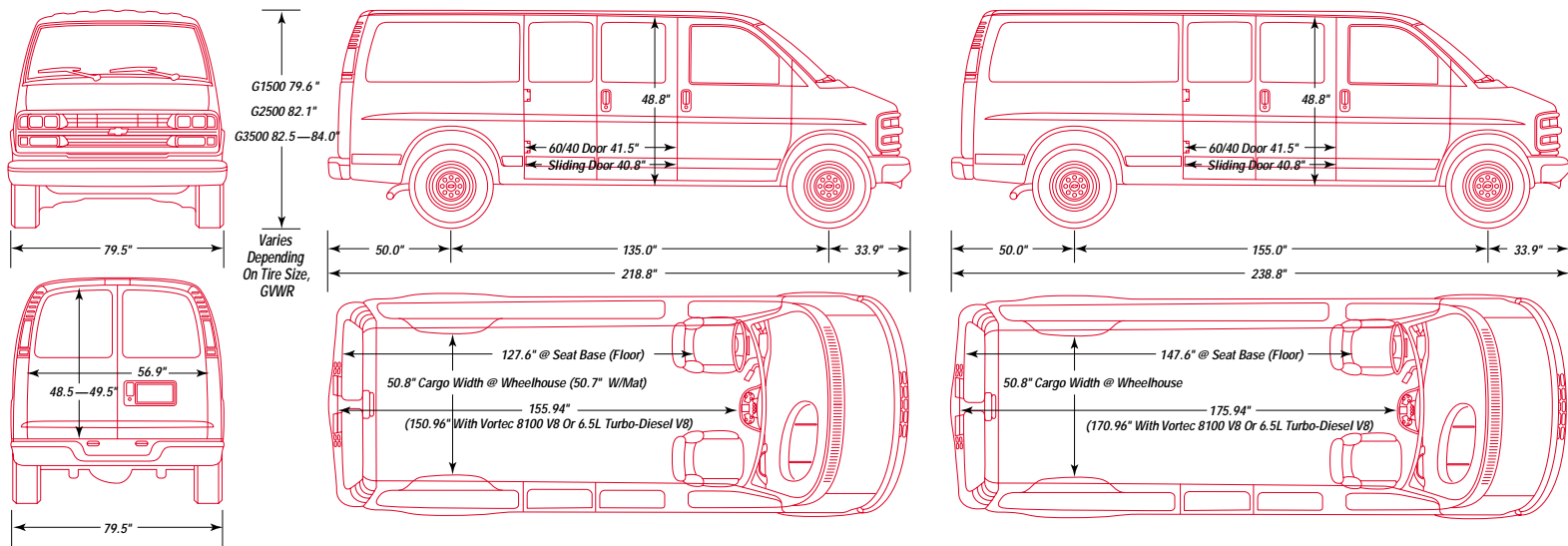
To learn more about the Chevy Commercial Customer's Choice Program, visit chevy.com/csvbrochure

G3500 Chevy Express Cargo Van shown in Summit White with Adrian bin package and DeWALT Tools.

CHEVY EXPRESS CARGO VAN SPECIFICATIONS

SERIES	G1500	G2500	G3500	G2500 EXTENDED	G3500 EXTENDED
GVWR (lbs.) ¹	6100/7100	7300/8600	9500	7300/8600	9500
Base payload (lbs.) ²	1506	2517	4171	2329	3973
ENGINE AVAILABILITY	HP @ RPM	TORQUE (LB.-FT.) @ RPM			
Vortec 4300 V6 SFI ³	200 @ 4400	250 @ 2800	S	S	—
Vortec 5000 V8 SFI ³	220 @ 4600	280 @ 2800	O	O	—
Vortec 5700 V8 SFI ³	255 @ 4600	330 @ 2800	O	O	S
Vortec 8100 V8 SFI ³	340 @ 4200	455 @ 3200	—	—	O
6.5L Turbo-Diesel V8 ⁴	195 @ 3400	430 @ 1800	—	O	O
TRANSMISSION AVAILABILITY					
Hydra-matic 4-speed OD automatic: electronically controlled with brake/transmission shift interlock	S	S ⁵	—	S ⁵	—
Hydra-matic 4-speed heavy-duty OD automatic: electronically controlled, with brake/transmission shift interlock	—	—	S	—	S
CHASSIS FEATURES					
Alternator: 105-amp (with GVWRs below 8600 lbs.) or 124-amp (with GVWRs at or above 8600 lbs.)	S	S	S	S	S
Battery: 600 cold-cranking amps (dual with diesel engine)	S	S	S	S	S
Brakes: power hydraulic, self-adjusting (front disc/rear drum)	S	S	S	S	S
— Antilock brake system (ABS): 4-wheel	S	S	S	S	S
— Booster: vacuum/hydro	vacuum	vacuum/hydro	hydro	hydro	hydro
— Front rotor size (in.) — diameter and thickness	11.57 x 1.25	12.5 x 1.26	12.50 x 1.26	12.50 x 1.26	12.50 x 1.26
— Rear drum size (in.) — diameter and width	11.15 x 2.75	13.0 x 2.50	13.0 x 3.50	13.00 x 3.50	13.00 x 3.50
Fuel tank capacity (gal., approx.)	31	31	31	31	31
Rear locking differential	O	O	O	O	O
Stabilizer bar: 30mm tubular front	S	S	S	S	S
Steering: power	S	S	S	S	S
Front suspension: independent (with coil springs)	S	S	S	S	S
— Axle capacity (lbs.)	3600	3600/4300	4300	3600/4300	4300
— Spring capacity (lbs.)	3600	3600/3800	4300	3600/4100	4300
Rear suspension: hypoid drive axle (with leaf springs)	S	S	S	S	S
— Axle capacity (lbs.)	3500	4800/5700	6084	4800/5700	6084
— Spring capacity (lbs.)	3167	4380/5360	6084	4380/5360	6084
Wheels (in.)	15 x 6	16 x 6.5	16 x 6.5	16 x 6.5	16 x 6.5
Tires: all-season radial B/W	P215/75R-15	LT225/75R-16D ⁶	LT245/75R-16E	LT225/75R-16D ⁶	LT245/75R-16E

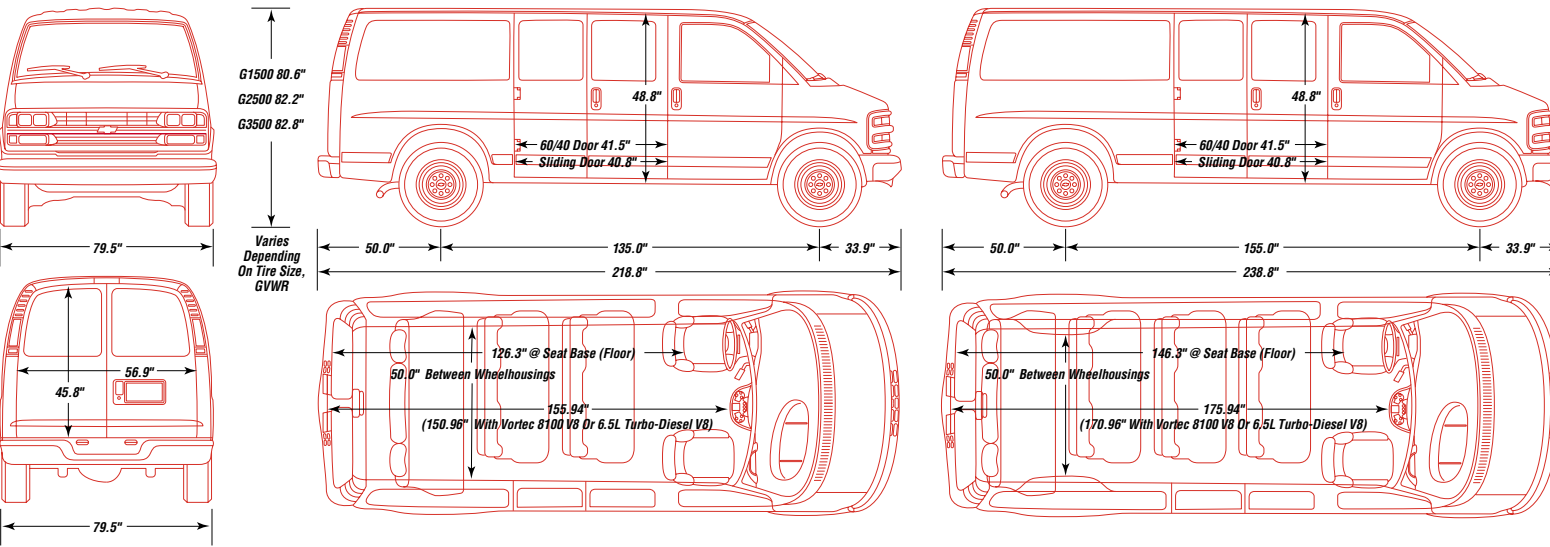
S — Standard. O — Optional. **1** Gross Vehicle Weight Rating includes vehicle, passengers, equipment and cargo. Higher GVWRs (where available) require optional equipment. **2** Payload includes passengers, equipment and cargo. Base payload ratings are based on engineering test results at time of printing and reflect base engines. **3** Sequential Fuel Injection. **4** This diesel engine includes a specific warranty for 5 years or 100,000 miles, whichever comes first. A deductible per repair visit applies after 3 years/36,000 miles. See your Chevy Truck dealer for terms and conditions of this limited warranty. **5** Four-speed Heavy-Duty OD automatic with 8,600-lb. GVWR. **6** LT225/75R-16E with 8,600-lb. GVWR. **NOTE:** LT tire load range: E (10-ply).



CHEVY EXPRESS PASSENGER VAN SPECIFICATIONS

SERIES	G1500	G2500	G3500	G2500 EXTENDED	G3500 EXTENDED
GVWR (lbs.) ¹	7100	8600	9500	8600	9500
Base payload (lbs.) ²	2036	2835	3570	2634	3371
ENGINE AVAILABILITY	HP @ RPM	TORQUE (LB.-FT.) @ RPM			
Vortec 4300 V6 SFI ³	200 @ 4400	250 @ 2800	S	—	—
Vortec 5000 V8 SFI ³	220 @ 4600	280 @ 2800	O	—	—
Vortec 5700 V8 SFI ³	255 @ 4600	330 @ 2800	O	S	S
Vortec 8100 V8 SFI ³	340 @ 4200	455 @ 3200	—	O	O
6.5L Turbo-Diesel V8 ⁴	195 @ 3400	430 @ 1800	—	O	O
TRANSMISSION AVAILABILITY					
Hydra-matic 4-speed OD automatic: electronically controlled, with brake/transmission shift interlock	S	—	—	—	—
Hydra-matic 4-speed heavy-duty OD automatic: electronically controlled, with brake/transmission shift interlock	—	S	S	S	S
CHASSIS FEATURES					
Alternator: 105-amp; 130-amp with rear air	S	S	S	S	S
Battery: 600 cold-cranking amps (dual with diesel engine)	S	S	S	S	S
Brakes: power hydraulic, self-adjusting (front disc/rear drum)	S	S	S	S	S
— Antilock brake system (ABS): 4-wheel	S	S	S	S	S
— Booster: vacuum/hydro	vacuum	hydro	hydro	hydro	hydro
— Front rotor size (in.) — diameter and thickness	11.75 x 1.25	12.50 x 1.26	12.50 x 1.26	12.50 x 1.26	12.50 x 1.26
— Rear drum size (in.) — diameter and width	11.15 x 2.75	13.0 x 2.50	13.0 x 2.50	13.0 x 2.50	13.0 x 2.50
Fuel tank capacity (gal., approx.)	31	31	31	31	31
Rear locking differential	O	O	O ⁵	O	O ⁵
Stabilizer bar: 30mm tubular front	S	S	S	S	S
Steering: power	S	S	S	S	S
Front suspension: independent (with coil springs)	S	S	S	S	S
— Axle capacity (lbs.)	3600	4300	4300	4300	4300
— Spring capacity (lbs.)	3600	3800	4300	4100	4300
Rear suspension: hypoid drive axle (with leaf springs)	S	S	S	S	S
— Axle capacity (lbs.)	4000	5700	6084	5700	6084
— Spring capacity (lbs.)	3968	5360	6084	5360	6084
Wheels (in.)	15 x 7	16 x 6.5	16 x 6.5	16 x 6.5	16 x 6.5
Tires: all-season radial B/W	P235/75R-15	LT225/75R-16E	LT245/75R-16E	LT225/75R-16E	LT245/75R-16E

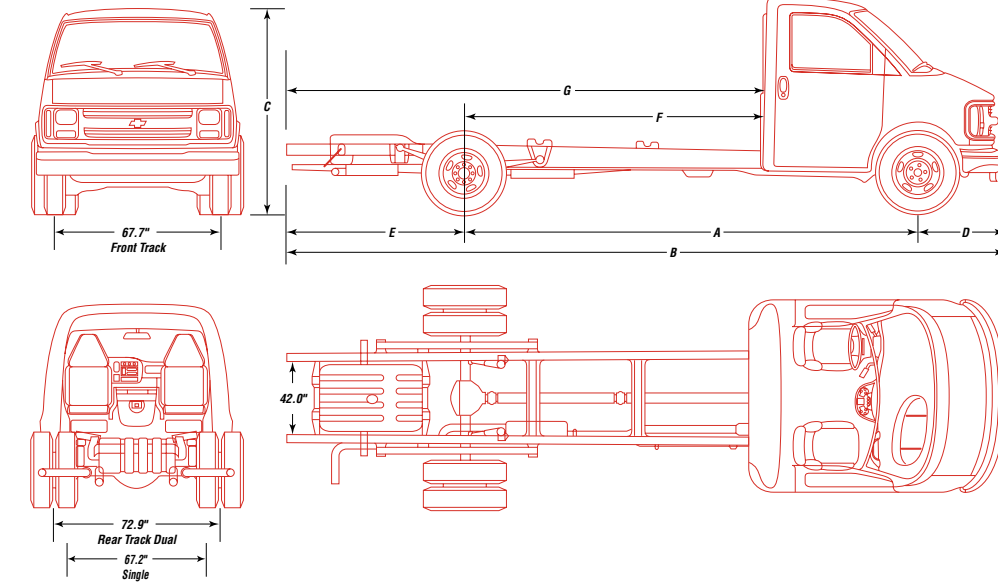
S — Standard. O — Optional. **1** Gross Vehicle Weight Rating includes vehicle, passengers, equipment and cargo. Higher GVWRs (where available) require optional equipment. **2** Payload includes passengers, equipment and cargo. Base payload ratings are based on engineering test weights at time of printing and reflect base engines. **3** Sequential Fuel Injection. **4** This diesel engine includes a specific warranty for 5 years or 100,000 miles, whichever comes first. A deductible per repair visit applies after 3 years/36,000 miles. See your Chevy Truck dealer for terms and conditions of this limited warranty. **5** Not available with 3.42 rear axle with Vortec 8100 V8. **NOTE:** LT tire load range: E (10-ply). **NOTE:** Unless otherwise noted, all claims in this brochure are based on 2001 competitive information and, when vehicle class is indicated, GM segmentation. All claims exclude other GM vehicles.



CHEVY EXPRESS COMMERCIAL CUTAWAY VAN SPECIFICATIONS

	139-IN. WHEELBASE	159-IN. WHEELBASE	177-IN. WHEELBASE
GVWR (lbs.) ¹	9500/12,000	10,000/12,000	12,000
Base payload (lbs.) ²	5042	5338	7517
ENGINE AVAILABILITY	HP @ RPM	TORQUE (LB.-FT.) @ RPM	
Vortec 5700 V8 SFI ³	255 @ 4600	330 @ 2800	S
— Below 10,000-lb. GVWR	245 @ 4200	330 @ 2800	S
— 10,000-lb. GVWR and above	340 @ 4200	455 @ 3200	O
Vortec 8100 V8 SFI ³	340 @ 4200	455 @ 3200	O
6.5L Turbo-Diesel V8 ⁴	195 @ 3400	430 @ 1800	O
TRANSMISSION AVAILABILITY			
Hydra-matic 4-speed heavy-duty OD automatic: electronically controlled, with brake/transmission shift interlock	S	S	S
CHASSIS FEATURES			
Alternator: 130-amp	S	S	S
Battery: 600 cold-cranking amps (dual with diesel engine)	S	S	S
Brakes: power hydraulic, self-adjusting (front disc/rear drum)	S	S	S
— Antilock brake system (ABS): 4-wheel	S	S	S
— Booster: hydro-boost	S	S	S
— Front rotor size (in.) — diameter and thickness	12.50 x 1.26/12.50 x 1.50	12.50 x 1.50	12.50 x 1.50
— Rear drum size (in.) — diameter and width	13.00 x 3.50	13.00 x 3.50	13.00 x 3.50
Fuel tank capacity (gal., approx.)	35	35	35
Rear locking differential	O	O	O
Stabilizer bar: 30mm tubular front	S	S	S
Steering: integral power	S	S	S
Front suspension: independent (with coil springs)	S	S	S
— Axle capacity (lbs.)	4300	4300	4300
— Spring capacity (lbs.)	4100 ⁵	4100 ⁵	4300
Rear suspension: hypoid drive axle (with leaf springs)	S	S	S
— Axle capacity (lbs.) (std./max.)	6084/8800	7500/8800	8800
— Spring capacity (lbs.) (std./max.)	6084/8600	7500/8600	8600
Wheels (in.)	16 x 6.5	16 x 6.0	16 x 6.0
Standard tires: all-season radial — single rear	LT245/75R-16E	—	—
Standard tires: all-season radial — dual rear	LT225/75R-16D	LT225/75R-16D	LT225/75R-16D

S — Standard. O — Optional. **1** Gross Vehicle Weight Rating includes vehicle, passengers, equipment and cargo. Higher GVWRs (where available) require optional equipment. **2** Base payload includes passengers, equipment and cargo. Payload ratings are based on engineering test weights at time of printing and reflect base engines. **3** Sequential Fuel Injection. **4** This diesel engine includes a specific warranty for 5 years or 100,000 miles, whichever comes first. A deductible per repair visit applies after 3 years/36,000 miles. See your Chevy Truck dealer for terms and conditions of this limited warranty. **5** 4,300 lbs. with 12,000 GVWR. **NOTE:** Tire load range: D (8-ply), E (10-ply).



CHEVY EXPRESS COMMERCIAL CUTAWAY VAN DIMENSIONS

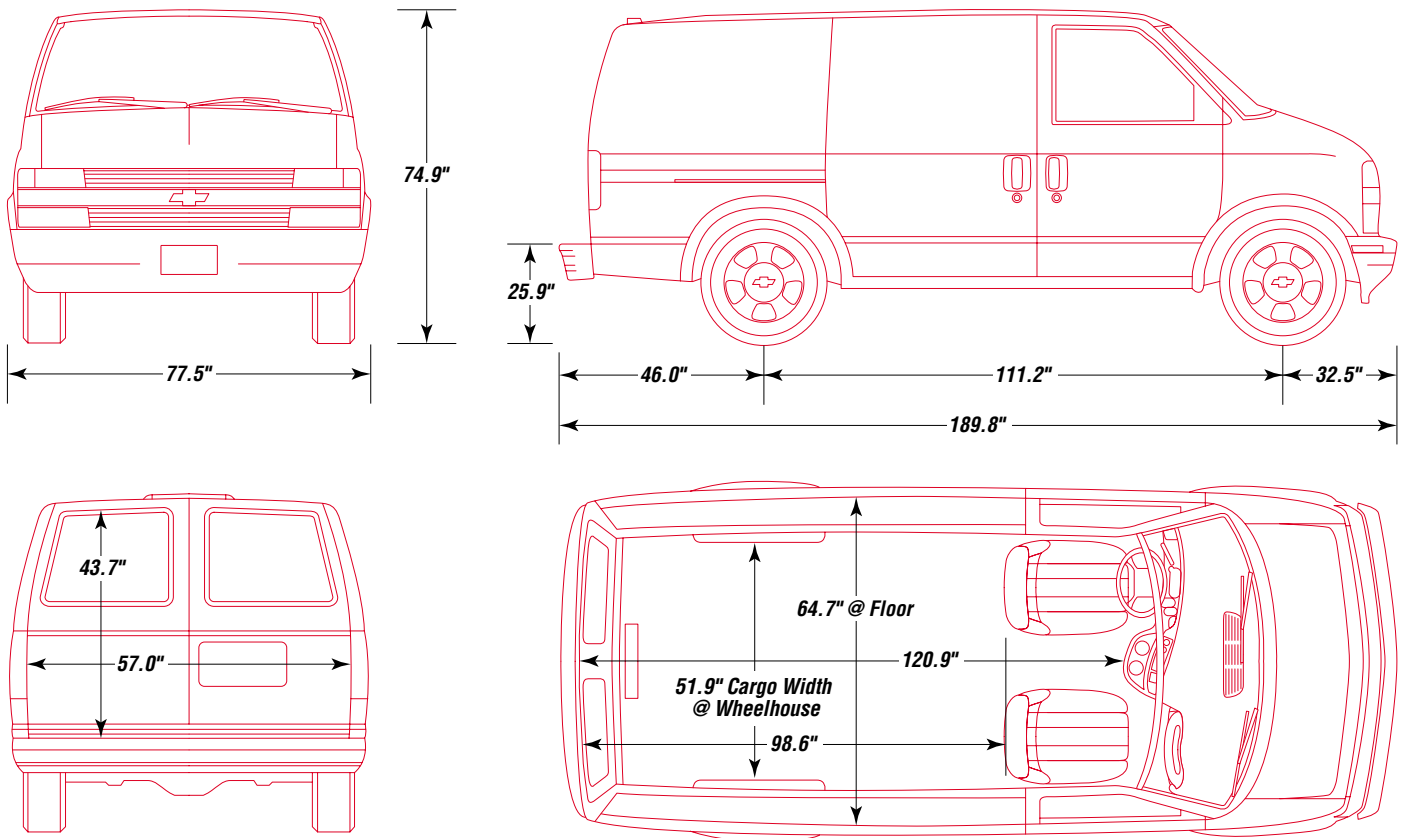
REAR WHEELS	MODEL		
	C631503	C631803	C631903
A Wheelbase (in.)	139.0	159.0	177.0
B Overall length (in.) (without rear bumper)	241.33	261.33	279.33
C Overall height (in.)	82.9-84.0 ¹	82.9-84.0 ¹	82.9-84.0 ¹
Bumper to axle (in.)			
D Front	33.88	33.88	33.88
E Rear	68.45	68.45	68.45
F Cab to rear axle (in.)	80.0	100.0	118.0
G Cab to end of frame (in.)	148.45	168.45	186.45

¹ Varies depending on tire size, GVWR.

ASTRO CARGO VAN SPECIFICATIONS

SERIES		RWD	AWD
GVWR (lbs.) ¹		5600	5850
Base payload (lbs.) ²		1683	1662
ENGINE AVAILABILITY	HP @ RPM	TORQUE (LB.-FT.) @ RPM	
Vortec 4300 V6 SFI ³	190 @ 4400	250 @ 2800	
		S	S
TRANSMISSION AVAILABILITY	Hydra-matic 4-speed OD automatic: electronically controlled, with brake/transmission shift interlock		
		S	S
CHASSIS FEATURES			
Alternator: 105-amp		S	S
Battery: 600 cold-cranking amp (with rundown protection and retained accessory power)		S	S
Brakes: power hydraulic, self-adjusting (front disc/rear drum)		S	S
– Antilock brake system (ABS): 4-wheel		S	S
– Booster		hydro-boost	hydro-boost
– Front rotor size (in.) — diameter and thickness		11.86 x 1.04	11.57 x 1.25
– Rear drum size (in.) — diameter and width		9.5 x 2.0	9.5 x 2.0
Fuel tank capacity (gal., approx.)		27	27
Locking rear differential		O	O
Steering: power		S	S
Front suspension: independent (with coil springs on rear-wheel-drive model and torsion bars on available All-Wheel-Drive model)		S	S
– Axle/torsion bar capacity (lbs.)		2800	3050
– Spring capacity (lbs.)		2800	3050
Rear suspension: hypoid drive axle (with steel leaf springs)		S	S
– Axle capacity (lbs.)		3150	3150
– Spring capacity (lbs.)		3150	3150
Wheels (in.)		15 x 6.0	15 x 6.0
Standard tires — all-season radial		P215/75R-15 B/W	P215/75R-15 B/W

S — Standard. O — Optional. **1** Gross Vehicle Weight Rating includes vehicle, passengers, equipment and cargo. Higher GVWRs (where available) require optional equipment. **2** Payload includes passengers, equipment and cargo. Base payload ratings are based on engineering test weights at time of printing. **3** Sequential Fuel Injection.



ADDITIONAL INFORMATION

Please Contact Us ...

For additional information on 2002 Chevy Commercial Vans, please call **1-800-950-2438** or visit us on the Internet at **chevy.com**

Customer Assistance Center.

The Chevrolet Customer Assistance Center has a special toll free number: **1-800-222-1020**. It puts you in contact with Chevrolet specialists who can handle any product or service question or concern you may have with your new Chevy Commercial Van.

New Vehicle Limited Warranty.

The GM 3-year/36,000-mile (whichever comes first) New Vehicle Limited Warranty covers repairs for all 2002 Chevrolet commercial vehicles, including labor and parts, to correct any defects in material or workmanship occurring during the warranty period. The complete vehicle (including tires) will be covered for 3 years or 36,000 miles, whichever comes first. There is also emissions control system coverage, which varies by geographical region. See your Chevrolet dealer for terms of this limited warranty.

An Important Note About Alterations and Warranties.

Installations or alterations to the original equipment vehicle (or chassis) as distributed by General Motors are not covered by the General Motors New Vehicle Limited Warranty. The special body company, assembler, equipment installer or upfitter is solely responsible for warranties on the body or equipment and any alterations (or any effect of the alterations) to any of the parts, components, systems or assemblies installed by GM. General Motors is not responsible for the safety or quality of design features, materials or workmanship of any alterations by any such supplier.

Updated Service Information.

Chevrolet regularly sends its dealers useful service bulletins about Chevrolet products. Chevrolet monitors product performance in the field. We then prepare bulletins for servicing our products better. For a charge, you can get these bulletins too. Ask your dealer or, for ordering information, please call toll-free: **1-800-551-4123**.

Assembly.

Chevrolts and their components are assembled or produced by different operating units of General Motors, its subsidiaries or suppliers to GM worldwide. We sometimes find it necessary to produce Chevrolet Trucks with different or differently sourced components than originally scheduled. Since some options may be unavailable when your vehicle is assembled, we suggest that you verify that your vehicle includes the equipment you ordered or, if there are changes, that they are acceptable to you.

Engines.

Chevrolet Trucks are equipped with engines produced by different operating units of GM, its subsidiaries or suppliers to GM worldwide.

Rust-Through Corrosion Protection.

Chevrolet Trucks are designed and built to resist corrosion. All body sheet-metal panels are warranted against rust-through corrosion for 6 years/100,000 miles (whichever comes first). Application of additional rust-inhibiting materials is not required and none is recommended. See your Chevrolet dealer for terms of this limited warranty.

Commercial Customer's Choice Program.

Through the 2002 Commercial Customer's Choice Program, you can upfit an eligible work truck with a variety of toolbox or specialty packages at a significant savings. See page 20 or your dealer for complete details.

An Important Note About Suppliers.

The safety and productivity of your completed vehicle require that the addition of a body, equipment and/or any other type of alteration be performed in accordance with all applicable Federal Motor Vehicle Safety Standards and in accordance with prudent engineering principles. Vehicle completion and/or alterations should be performed only by professional, reputable intermediate- and final-stage manufacturers or vehicle alterers.

Consumers are urged to inquire as to the facilities, trained personnel and professional group affiliations of the intermediate- and/or final-stage manufacturer or vehicle alterer that may install a

body or equipment on your Chevrolet chassis or perform any type of alteration to your vehicle. Make sure your supplier uses the proper equipment to the exact specifications required to make your Chevrolet perform as it was intended.

A Word About This Brochure.

We have tried to make this brochure as comprehensive and factual as possible. We reserve the right, however, to make changes at any time, without notice, in prices, colors, materials, equipment specifications, models and availability. Since some information may have been updated since the time of printing, please check with your Chevrolet dealer for complete details. Chevrolet reserves the right to lengthen or shorten the model year for any product for any reason, or to start and end model years at different times.

GMAC.

We're certain you'll be pleased with your Chevy Commercial Van. And with GMAC, we're certain you'll be pleased with your financing too. GMAC provides an array of finance options customized to each company's unique financial needs, including commercial lines of credit, ComTRAC leases and custom/skip payment plans.

General Motors, GM, the GM Emblem, Chevrolet, the Chevrolet Emblem, Astro, Chevy Express, Goodwrench, Hydra-matic and PASSlock are registered trademarks and Chevy and Vortec are trademarks of the General Motors Corporation. GMAC is a registered service mark of the General Motors Acceptance Corporation. DEWALT is a registered trademark of DEWALT Tools. Mail Boxes Etc. is a registered trademark of Mail Boxes Etc. ©2001 General Motors Corp. All rights reserved.

Litho in USA.

September 2001



CHEVY TRUCKS  LIKE A ROCK

▶ FOR ADDITIONAL INFORMATION ABOUT CHEVROLET VEHICLES, VISIT CHEVY.COM

AMERICA ONLINE KEYWORD: CHEVY

