

T&C

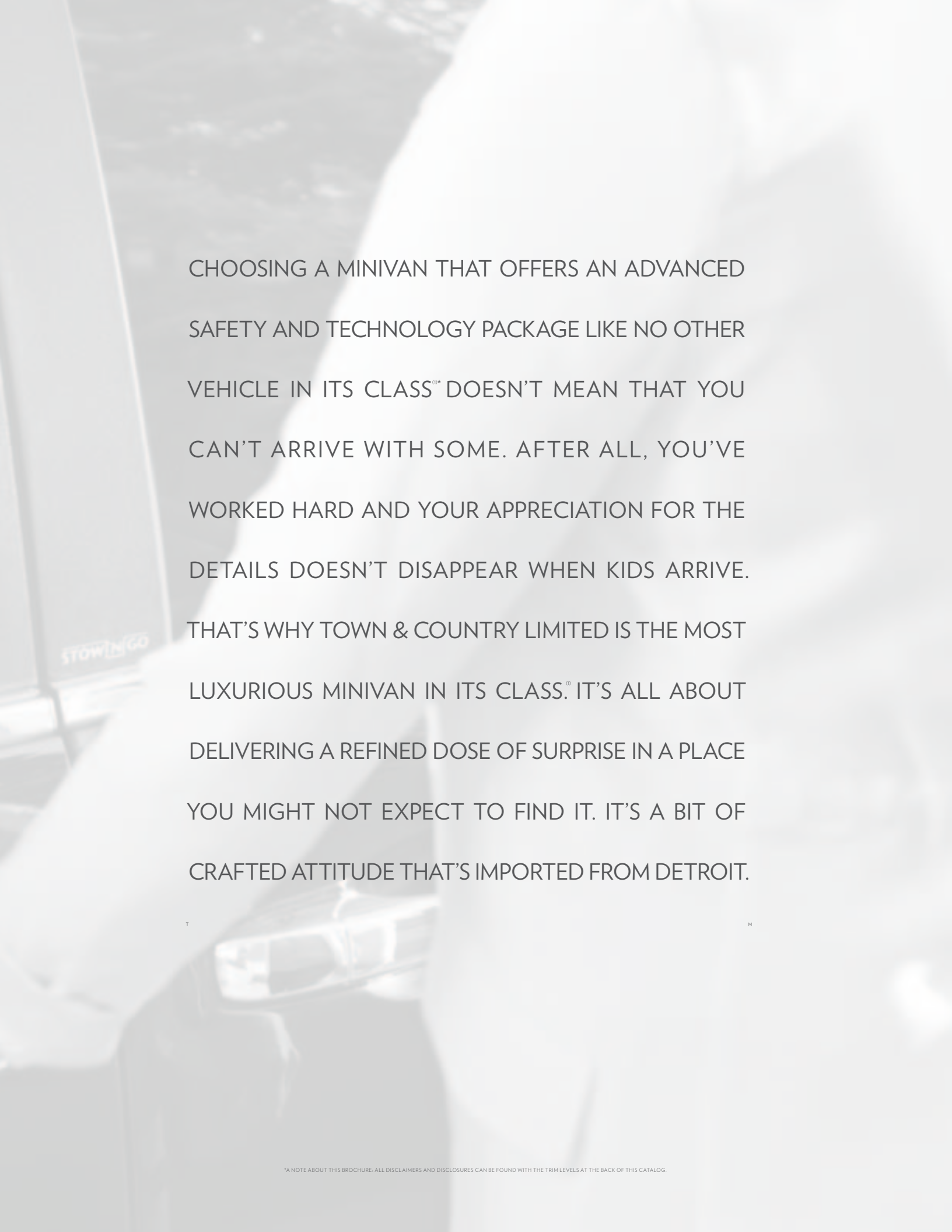
2012 CHRYSLER TOWN & COUNTRY

CHRYSLER

W N & COUNTRY

A grayscale photograph of a woman with short hair, wearing a dark turtleneck and a light-colored blazer, looking out of a car window. Her hand is resting on the window frame. The background shows trees and a building, all in a soft, slightly blurred focus. The text 'SHAPE THE FUTURE.' is centered over the image in a clean, sans-serif font.

SHAPE THE FUTURE.



CHOOSING A MINIVAN THAT OFFERS AN ADVANCED SAFETY AND TECHNOLOGY PACKAGE LIKE NO OTHER VEHICLE IN ITS CLASS^{®*} DOESN'T MEAN THAT YOU CAN'T ARRIVE WITH SOME. AFTER ALL, YOU'VE WORKED HARD AND YOUR APPRECIATION FOR THE DETAILS DOESN'T DISAPPEAR WHEN KIDS ARRIVE. THAT'S WHY TOWN & COUNTRY LIMITED IS THE MOST LUXURIOUS MINIVAN IN ITS CLASS.[®] IT'S ALL ABOUT DELIVERING A REFINED DOSE OF SURPRISE IN A PLACE YOU MIGHT NOT EXPECT TO FIND IT. IT'S A BIT OF CRAFTED ATTITUDE THAT'S IMPORTED FROM DETROIT.

T

M









COOL AND CUTTING EDGE. YOU'VE JUST CHANGED THE RULES OF THE CARPOOL. There's a reason why Town & Country drivers wear leather gloves. They appreciate the finer things. They also protect hands from the elements outside the vehicle. But mostly, they wear them because this minivan's ride, handling, and sport utility approach beckon driving gloves. With them, you can still work the steering wheel audio and cruise controls. And the standard Uconnect® Hands-Free Voice Command system means things happen just because you say so. Unless you want to feel the soft Nappa leather and smooth real wood trim or the warmth of Limited's standard heated steering wheel — you always have that option.



IT'S PRECISELY WHAT YOU'D EXPECT FROM A PREMIUM LUXURY VEHICLE. From the hue of burl to the simplicity of a soft-touch surface, Town & Country delivers the rarest blend of both purpose and pampering. The fact that it offers over 30 exclusive and best-in-class claims may not surprise you either.



THE MOST INNOVATIVE MINIVAN IN ITS CLASS.⁽¹⁾



EVERY DETAIL IS DESIGNED WITH PURPOSE.

Town & Country Limited stands as the most luxurious minivan⁽²⁾ with standard features such as Nappa leather-trimmed seating throughout the cabin, a class-exclusive heated steering wheel,⁽³⁾ eight-way power driver and front-passenger seats, heated front and second-row seats, seating for seven, and available luxury second-row seats — most of which are also available on Touring and Touring-L. The 2012 Town & Country offers an available class-exclusive⁽⁴⁾ Super Console which features a large driver-accessible storage area, and another large storage drawer is accessible by both first- and second-row passengers. Both areas can be covered with a sliding door to keep travel items out of sight. Two power outlets, perfect for charging media devices, are within easy reach of the driver. The console's four cup holders include two cup holders that can hold 12-oz cans or 1-liter bottles. The standard Three-Zone Automatic Temperature Control (ATC) system keeps everyone comfortable via its electronic thermostats. The push of a button activates the available class-exclusive⁽⁵⁾ heated steering wheel.





TOWN & COUNTRY HAS THE MOST CONCEALED STORAGE SPACE IN ITS CLASS. ⁽¹⁾

Constructed with the most Quiet Steel® of any minivan in its class,⁽²⁾ the exclusive Stow 'n Go® seating offers a best-in-class⁽³⁾ storage system, a class-exclusive tailgate seating option,⁽⁴⁾ and available class-exclusive one-touch power-folding third-row seats,⁽⁵⁾ for more possibilities than ever.



40
20
0
MPH
km/h

60
80
100
120
140
160
180
200

E
F

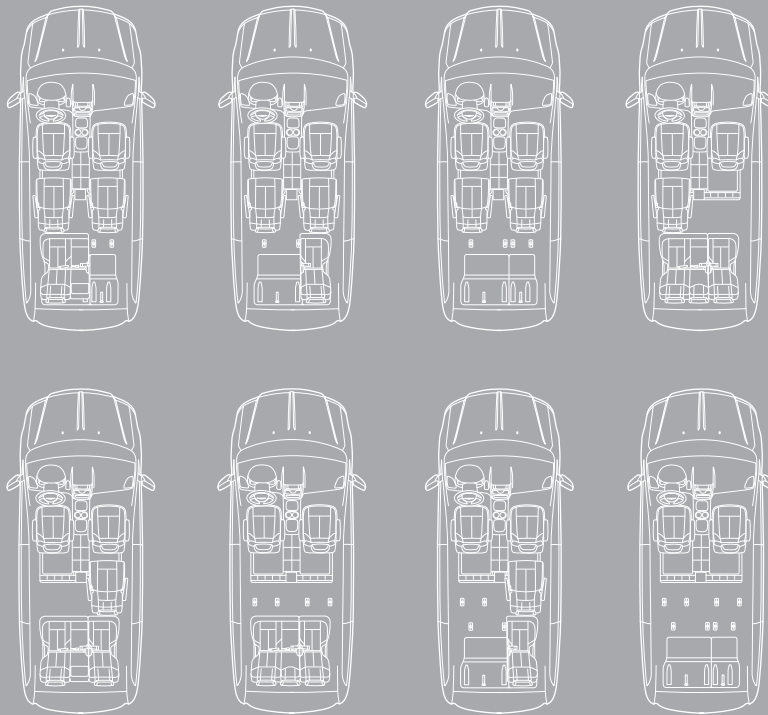


CHRYSLER





TOWN & COUNTRY IS THE
ONLY PREMIUM MINIVAN WITH
STANDARD POWER SLIDING
DOORS AND POWER LIFTGATE.⁽¹⁾



THE MOST INNOVATIVE SEATING AND STORAGE IN ITS CLASS.⁽²⁾

Luxury need not come at the expense of practicality. With all seats stowed, the Town & Country yields a flat cargo floor and 144.2 cubic feet of storage for easy loading without ever having to remove a seat. When the seats are in their upright position, in-floor bins store a multitude of items from laptops and purses to toys, backpacks, sleeping bags, and shopping bags. The available premium Super Console provides power outlets, cup holders, covered storage, and more to both first- and second-row passengers. The 2012 Town & Country also includes the class-exclusive⁽³⁾ Stow 'n Place™ roof-rack system, with the convenience of crossbars that attach to the side rails when not in use.





KEYLESS ENTER 'N GO. The personalized key fob enables passive vehicle entry. With the fob in a pocket or purse, doors automatically unlock as you approach the vehicle. This available system allows quick access without fumbling for the key.

EXCLUSIVE STANDARD DUAL POWER SLIDING DOORS.⁽¹⁾ With the push of a button, in cabin or on key fob, the dual sliding doors effortlessly open. These power doors detect obstacles in their path to automatically halt their motion and reverse.⁽²⁾

CHILD PROTECTION REAR DOOR LOCKS. A small lever on the front edge of the sliding door disables the rear doors' inside release handles.

REMOTE KEYLESS ENTRY. The power sliding doors and power liftgate allow you to slide open rear doors and open the liftgate, all with the touch of just a couple of buttons on the key fob, overhead console, or inside the cabin.





SECURITY ALARM. This system monitors the door-ajar switches as well as the ignition circuit for unauthorized entry. The lights flash and the horn sounds, alerting you if someone else is trying to enter your vehicle.

POWER LIFTGATE WITH OBSTACLE DETECTION.⁽²⁾ Like the sliding doors, the power liftgate detects most obstacles in its path and will automatically stop and reverse.

POWER ADJUSTABLE PEDALS. Adjustable brake and accelerator pedals allow you to customize the position, enabling the driver to maintain a comfortable distance from the steering wheel. The memory function on Limited customizes each key fob's position setting.

DOOR ALERT. This selectable feature automatically flashes signal lights, indicating which sliding door is open.

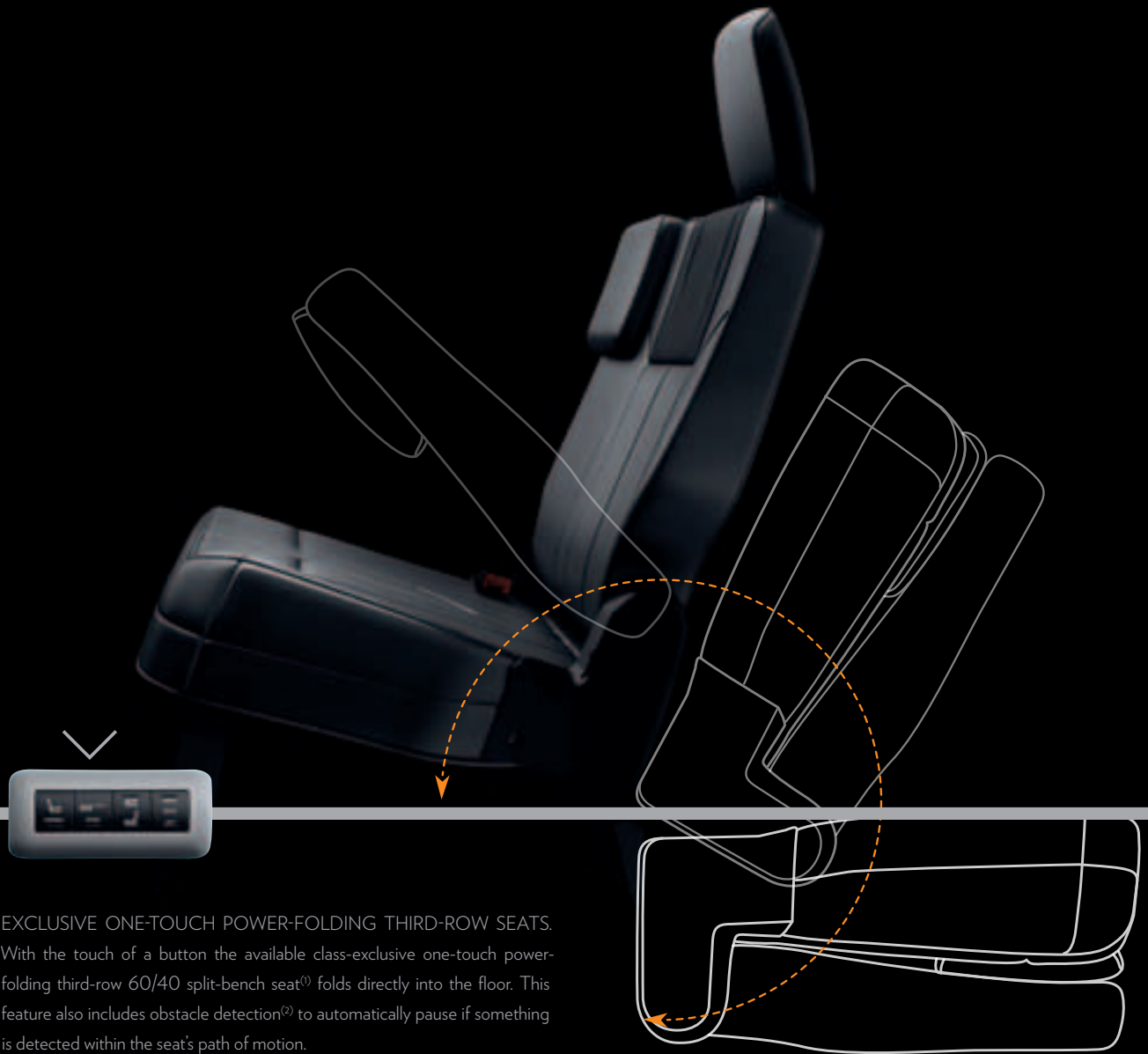


EXCLUSIVE STOW 'N GO.^{®(1)}



ONE MOTION. The simple fold-and-stow system allows the head restraint to fold down automatically for easier operation and reveals what makes Town & Country legendary: exclusive Stow 'n Go seating with in-floor storage bins and fold-in-floor second- and third-row seats. When the seats are in their upright position, in-floor bins are available to accommodate carry-ons.

THIRD-ROW POWER SEATS.



EXCLUSIVE ONE-TOUCH POWER-FOLDING THIRD-ROW SEATS.

With the touch of a button the available class-exclusive one-touch power-folding third-row 60/40 split-bench seat⁽¹⁾ folds directly into the floor. This feature also includes obstacle detection⁽²⁾ to automatically pause if something is detected within the seat's path of motion.



283^{HP}

BEST-IN-CLASS⁽¹⁾
POWER AND TORQUE





YOU DIDN'T GET HERE BY BEING FRIVOLOUS. THAT'S WHY TOWN & COUNTRY IS THE ONLY MINIVAN IN ITS CLASS WITH THE FUEL ECONOMIZER FEATURE.[®] IT WORKS FRUGALLY FOR YOU.

From components to cabin appointments, this is a vehicle that's been thoroughly thought out. The Pentastar[®] engine boasts durability-enhancing features, like an advanced oil filter system that features an incinerable filter element. The engine is also Flex Fuel capable, allowing the option of using either gasoline or ethanol (E85) fuel. Town & Country's overall ride is further enhanced by suspension tuning and an easy-to-operate shifter. It's the only minivan in its class[®] with the Fuel Economizer feature that alters transmission shift patterns to help improve real-world fuel efficiency. The integrated instrument panel includes a large vehicle information screen with a unified look to include touches of chrome around the climate controls, shifter, and gauge cluster rings. The gauges are also positioned for easier viewing and the steering wheel houses cruise and audio controls.



CALM AND COLLECTED ARE STANDARD FEATURES IN EVERY TOWN & COUNTRY DRIVER. When you're clad in spandex and late for pilates, you'll know why it matters to have a minivan this powerful, thanks to the most advanced engine produced by Chrysler Group LLC. The standard 3.6L Pentastar® V6 engine with Variable Valve Timing (VVT) delivers best-in-class 283 horsepower,⁽⁹⁾ yet efficiently provides an EPA estimated 17 city/25 highway mpg. It applies some of the most advanced automotive engine technology available today for an exceptional blend of high torque, fuel efficiency, low emissions, and first-rate noise, vibration, and harshness control.



OBSERVATIONS ALERTED. COLLISIONS DIVERTED.

TOWN & COUNTRY IS THE ONLY MINIVAN IN ITS CLASS⁽¹⁾ TO OFFER REAR CROSS-PATH DETECTION.⁽²⁾ Difficult-to-view side-vehicle zones are monitored by the radar technology of the available BLIND SPOT MONITORING (BSM),⁽⁴⁾ which alerts you to possible proximity danger as you drive. While traveling in forward gears, the driver will see an illuminated icon appear in the sideview mirror or hear an audible warning sound (if activated) when another vehicle is approaching alongside. BSM is included as part of the available SafetyTec™ Package and includes the class-exclusive⁽¹⁾ Rear Cross-Path Detection,⁽²⁾ which alerts the driver to most approaching low-speed vehicles when backing out of parking spots and activates any time the vehicle is in Reverse.

A close-up, high-angle photograph of a woman's face, looking down. Her hair is blonde and styled. The lighting is soft and natural, highlighting the texture of her skin and the contours of her face. The background is a blurred, light blue-grey color.

FORTY-TWO

AVAILABLE ACTIVE AND PASSIVE
SAFETY AND TECHNOLOGY
FEATURES AND OUR CARE FOR
FUTURE GENERATIONS MEET
YOUR SECURITY STANDARD.

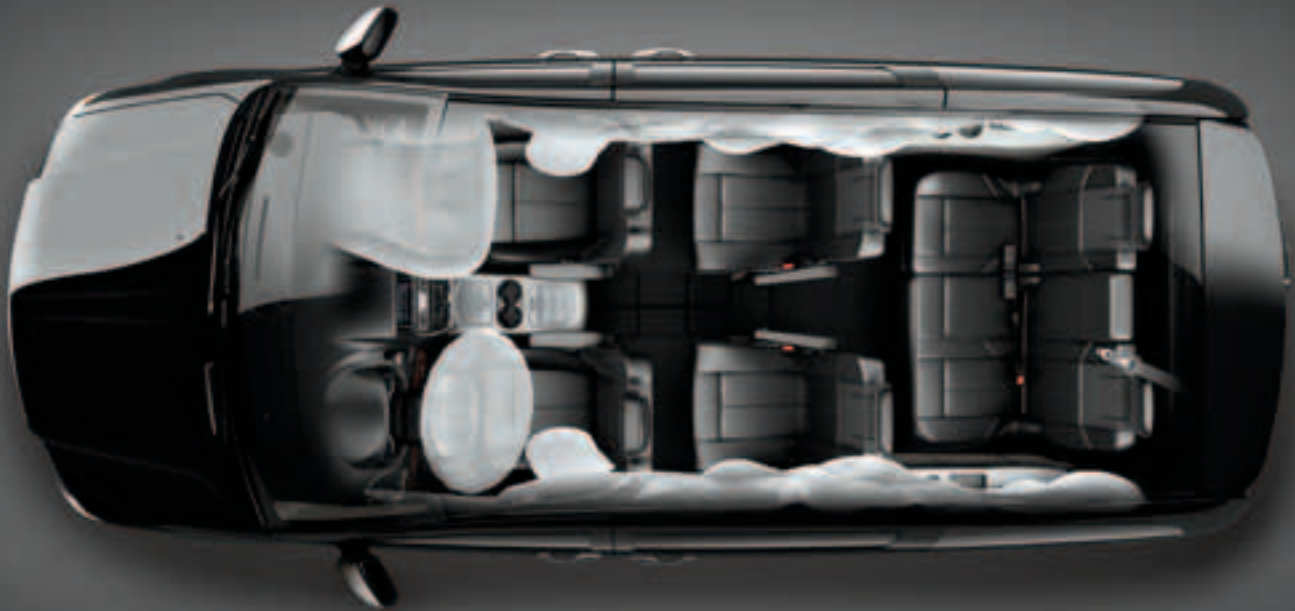
This comprehensive list includes the exclusive⁽¹⁾ available SafetyTec™ Package. It bundles some of the most technologically advanced safety and security features offered among the over 40 ways it helps protect what matters most. Because you and your passengers are all unique, it makes sense that your Town & Country is in a class by itself. We call it SafetyTec. You'll call it peace of mind.

SUPPLEMENTAL SIDE-CURTAIN AIR BAGS.⁽⁵⁾ These air bags extend protection to all outboard front- and rear-seat passengers, including third-row outboard passengers. Upon side impact, the system deploys the specific side air bag and curtain required for occupant protection.

ADVANCED MULTISTAGE FRONT AIR BAGS.⁽⁵⁾ This feature regulates the amount of force necessary for the front occupants by impact severity, including low-risk deployment.

FRONT-SEAT MOUNTED SIDE AIR BAGS.⁽⁵⁾ Additional air bags are integrated into the front seats, so no matter where the seats are positioned, the air bags deploy consistently with driver and front-passenger seat positions.

TIRE PRESSURE MONITORING SYSTEM. Individual tire-pressure amounts are displayed in the instrument cluster and alert the driver to tires with high or low pressure.



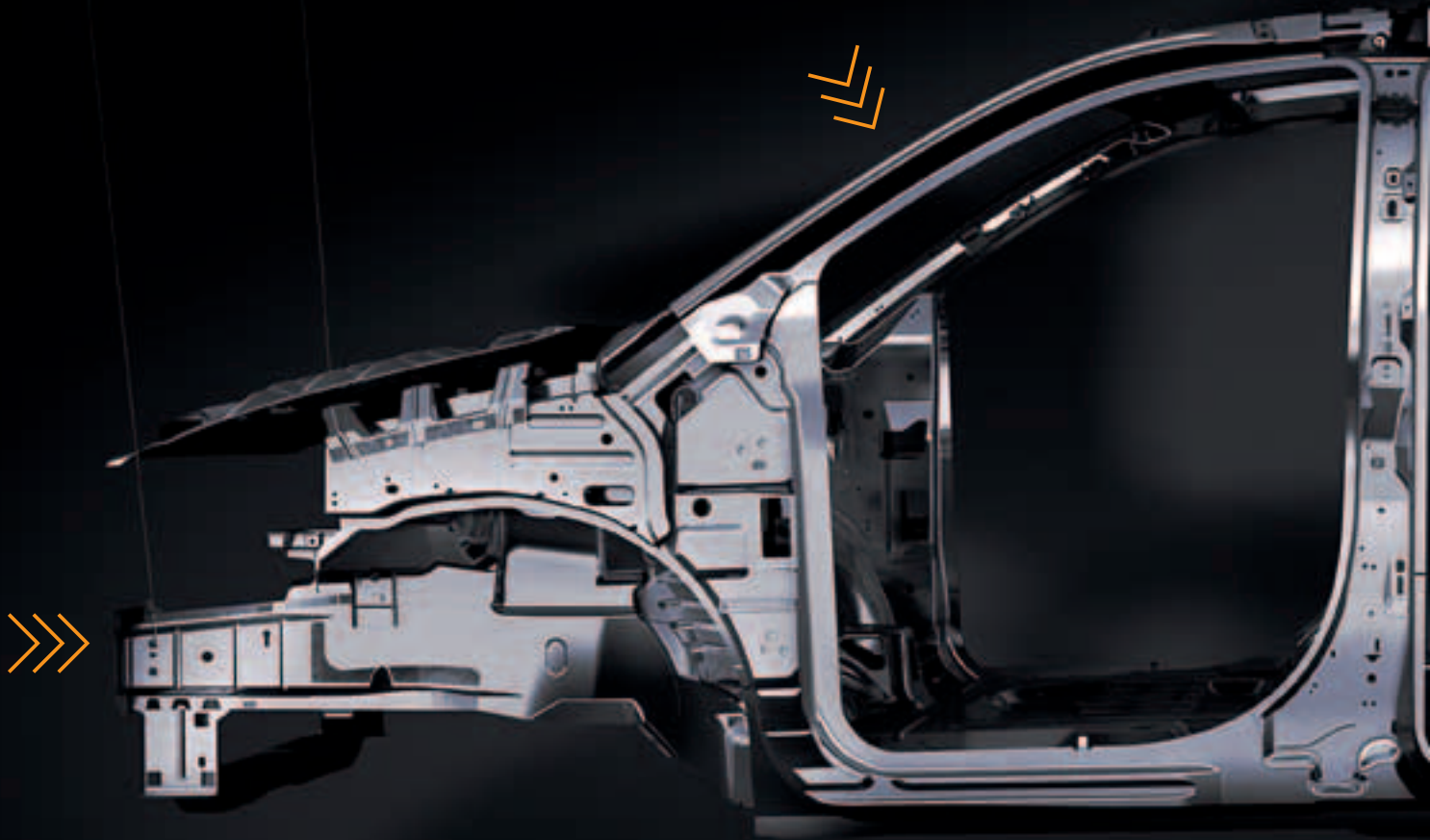
CONSTANT FORCE RETRACTORS. Seat belt retractors sense vehicle impact and immediately apply pressure to the seat belt to properly position the occupant before the full load of impact is imparted. It then reduces the seat belt load in order to moderate forces during the impact event.

DRIVER'S INFLATABLE KNEE-BLOCKER.⁽⁵⁾ This separate air bag located in the lower instrument panel is designed to help position the driver properly for the front air bag.

ACTIVE FRONT-ROW HEAD RESTRAINTS.⁽⁶⁾ In the event of a rear-end collision, these restraints automatically move forward and upward to decrease the space between the head restraint and the occupant's head.

ENHANCED ACCIDENT RESPONSE SYSTEM (EARS). This system makes it easier for emergency personnel to see and reach occupants in the event of an accident by turning on interior lighting, flashing hazard lamps, and unlocking doors after air bag deployment. It also shuts off the flow of fuel to the engine.

SMARTBEAM™ HEADLAMPS* / FRONT- AND SECOND-ROW HEIGHT-ADJUSTABLE SEAT SYSTEM^{(3)*} / PARKVIEW® REAR BACK-UP CAMERA⁽³⁾ / PARKSENSE® REAR PARK ASSIST TRACTION CONTROL / ELECTRONIC STABILITY CONTROL⁽⁷⁾ (ESC) / ELECTRONIC LIFTGATE WITH OBSTACLE DETECTION⁽²⁾ / FRONT-PASSENGER KNEE BOLSTER⁽⁵⁾ / PROTECTION / ADVANCED MULTISTAGE AIR BAGS⁽⁵⁾ / FRONT-SEAT MOUNTED SIDE

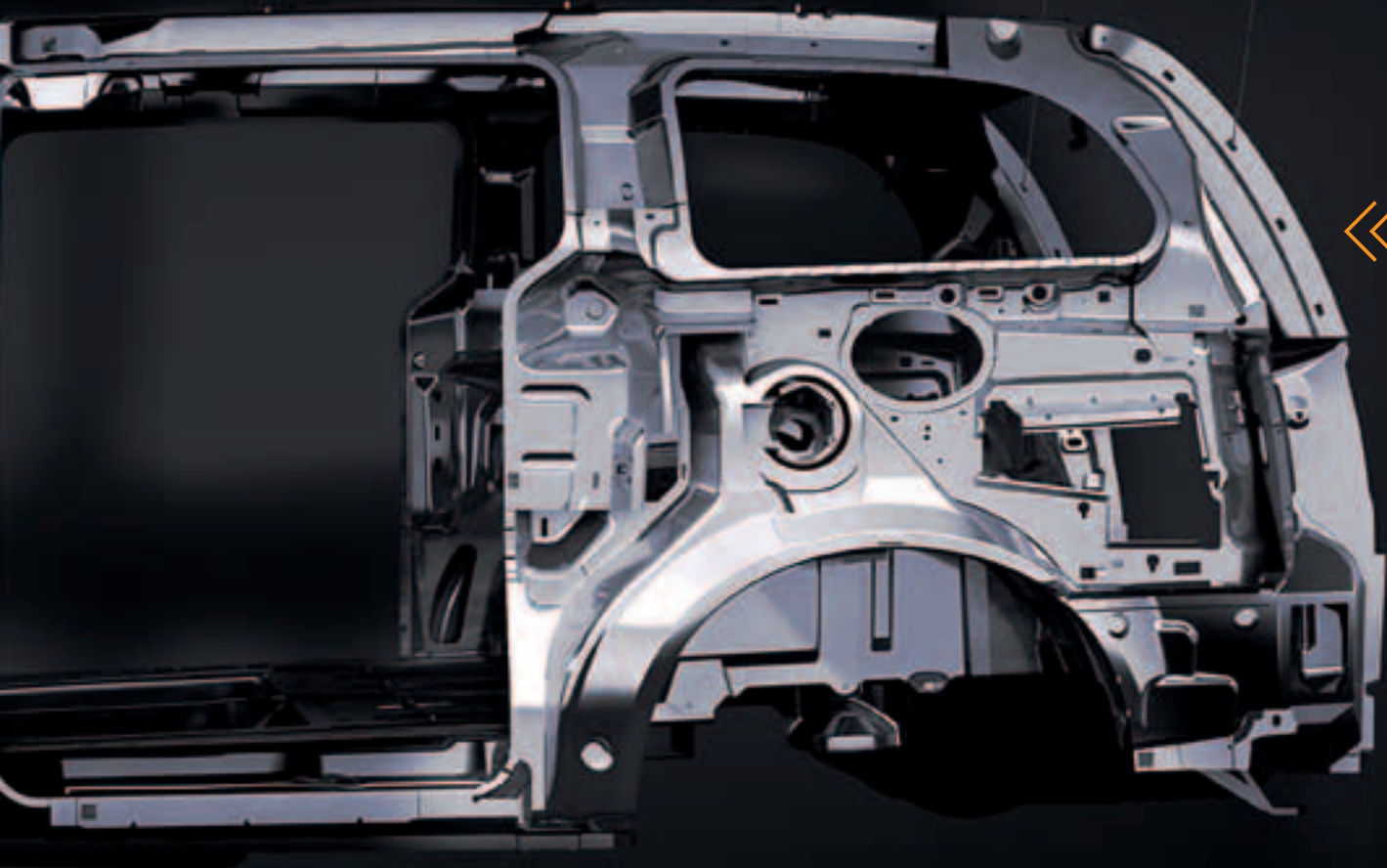


STRATEGICALLY PLACED HIGH-STRENGTH STEEL. The Town & Country architecture includes dual phase, high-strength and hot-stamped steel, resulting in a strong safety cage that contributes to overall vehicle-impact performance.

ENHANCED ACCIDENT RESPONSE SYSTEM (EARS) / LOWER ANCHORS AND TETHERS FOR PRETENSIONERS / SENTRY KEY® ENGINE IMMOBILIZER / SUPPLEMENTAL SIDE-CURTAIN ENTRY / CHILD PROTECTION REAR DOOR LOCKS / CONSTANT FORCE RETRACTORS / KNEE-BLOCKER AIR BAG⁽⁵⁾ / AUTOMATIC HEADLAMPS / DRIVER'S DOOR PROTECTION GARAGE DOOR OPENER / HEADLAMPS-OFF TIME DELAY / DOOR ALERT / STEERING

*SafetyTec™ Package features optional on Touring, standard on Touring-L and Limited.

BELTS / BELTALERT / BLIND SPOT MONITORING^{(4)*} / REAR CROSS-PATH DETECTION SYSTEM^{(3)*} / RAIN-SENSING WIPERS* / 4-WHEEL ANTILOCK BRAKES / ALL-SPEED BRAKE ASSIST / POWER SLIDING DOORS WITH OBSTACLE DETECTION⁽²⁾ / POWER PREMIUM TIRE PRESSURE MONITORING DISPLAY / INTERIOR HEAD-IMPACT AIR BAGS⁽⁵⁾ / BRAKE-PARK INTERLOCK / POWER ADJUSTABLE PEDALS

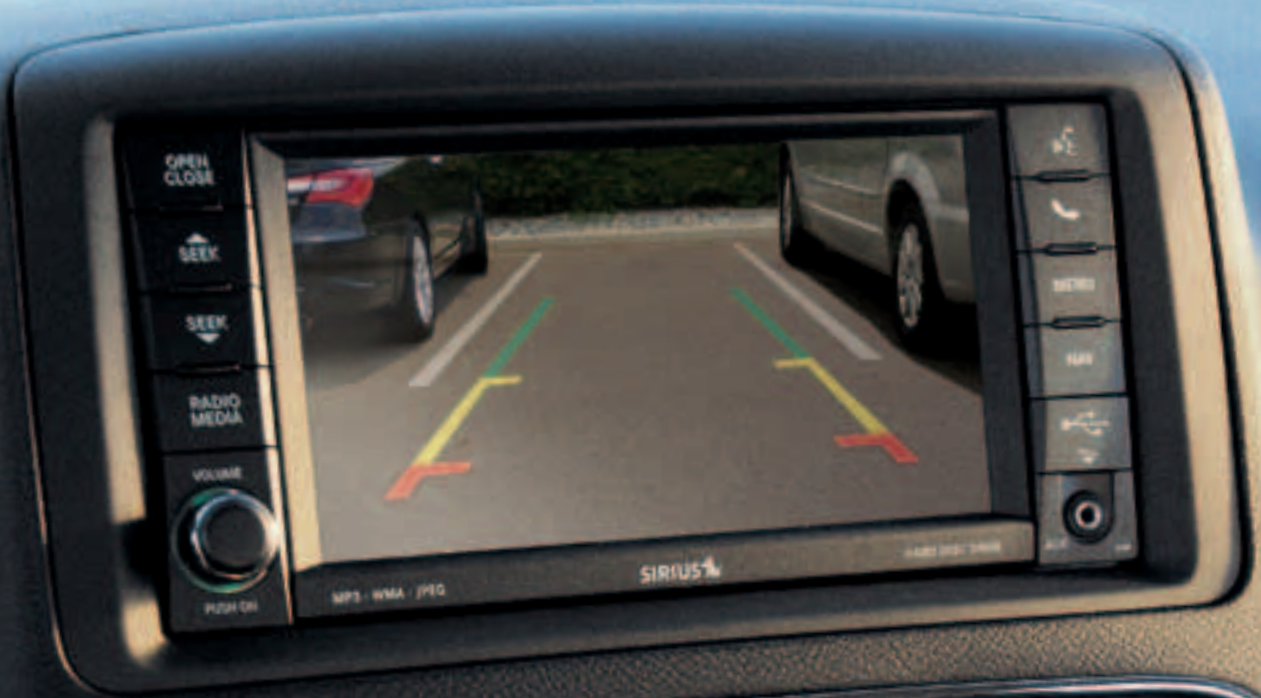


CRUMPLE ZONES. In the event of an impact, specifically designed front and rear crush zones absorb energy and redirect it away from passengers, helping to reduce the risk of injury.

CHILD SEATS (LATCH) / FRONT-SEAT ACTIVE HEAD RESTRAINTS⁽⁶⁾ / SEAT BELT AIR BAGS⁽⁵⁾ / THREE-POINT SEAT BELTS AT ALL SEATING POSITIONS / REMOTE KEYLESS OBSERVATION MIRROR / ENERGY-ABSORBING STEERING COLUMN / DRIVER INFLATABLE BLOCK / SECOND- AND THIRD-ROW HEAD RESTRAINTS / HOMELINK® UNIVERSAL WHEEL-MOUNTED VEHICLE CONTROLS / TILT-TELESCOPING STEERING COLUMN

RADAR DETECTION THAT'S ON
YOUR SIDE AND HAS YOUR BACK.





PARKVIEW® REAR BACK-UP CAMERA.⁽³⁾ This standard system displays an accurate visual reference through your Uconnect® Media Center screen of what is behind your vehicle when driving in Reverse. It includes new on-screen static guidelines to help orientate the driver while backing up.

REAR CROSS-PATH DETECTION.⁽⁴⁾ Town & Country is the only minivan in its class⁽¹⁾ to offer this feature, which is included as part of the available SafetyTec™ Package. It alerts the driver to most approaching low-speed vehicles when backing out of parking spots.

PARKSENSE® REAR PARK ASSIST.⁽⁵⁾ This available feature uses radar technology to detect most obstacles behind the vehicle and gives the driver both visual and audible alerts about those obstacles.

THINK OF IT AS THE MODERN MEDIA EQUIVALENT OF A PERSONAL ASSISTANT.

UCONNECT® IS AN INTUITIVE HUB FOR ALL YOUR MEDIA — CELL PHONE, INTERNET, SIRIUSXM™ SATELLITE RADIO,⁽⁹⁾ NAVIGATION SYSTEM, MP3 PLAYER, AND SMARTPHONE. THE UCONNECT USER-FRIENDLY SYSTEM ALLOWS YOU TO STAY CONNECTED, INFORMED, ENTERTAINED, AND FOCUSED ON DRIVING.



ENTERTAINMENT. Manage all of your media with multiple ways to access audio, including Bluetooth® streaming audio, iPod® control with Voice Command, DVD player, audio jack, SD card slot, compatible multimedia devices, and gaming consoles. With SiriusXM Satellite Radio⁽⁹⁾ (your first year of service is included), you get over 130 channels, including commercial-free music plus all your favorite sports, news, talk and entertainment — all with coast-to-coast coverage, 24/7.



PHONE. Talking on the phone while driving has never been easier — or more responsible. Uconnect Phone is the in-vehicle, voice-activated communication system that allows you to pair up to seven Bluetooth compatible phones and then talk virtually hands-free. This system is also clever enough to synchronize with your phone's address book⁽⁹⁾ — up to 1,000 entries — every time you get into your vehicle.



SiriusXM





NAVIGATION. Provides turn-by-turn voice guidance and visual display. It can also locate nearby restaurants, shopping, hospitals, or points of local interest through an exclusive Garmin® GPS system. It features Garmin's intuitive user interface, bringing the Garmin handheld experience to a factory in-dash radio. With SiriusXM Traffic™⁽⁸⁾ (one-year subscription included) you'll get continuously updated information on accidents, traffic flow, construction, and road closures.



VOICE COMMAND. It simplifies driving by letting you keep your eyes on the road and your hands on the wheel. Use your voice to select AM/FM radio stations, SiriusXM® channels and make calls. Along with pause and rewind capability, this smart system technology can also be trained to better recognize your voice and can understand commands in English, French, and Spanish.



WEB. Put the power of high-speed Internet in your vehicle with Uconnect Web.⁽¹⁰⁾ Effortlessly connect any WiFi-enabled device to the Internet at 3G broadband speeds making your vehicle a mobile Hotspot. Passengers can use multiple devices at the same time. There's no need for cell cards or software with this unique Authentic Accessory by Mopar.® It's all wireless. Subscription required. Sold separately.

**SiriusXM
TRAVEL LINK™⁽⁶⁾**

Access a wealth of current information at your fingertips, including national and local weather forecasts, radar images, and detailed storm information with speed and direction, even local ski slope conditions. Review fuel prices from local gas stations to find the lowest price in your area. Sports fans can learn in-game and final sports scores, and weekly game schedules. You can also get detailed weekly movie listings, show times and ratings, as well as watch your personal portfolio of stocks as they move up or down throughout the day. Subscription is required after one-year included service.



THE BEST FAMILY ENTERTAINMENT SYSTEM IN ITS CLASS.⁽¹⁾



THERE'S NO TIME LIKE THE PRESENT TO PASS DOWN YOUR GOOD TASTE IN MUSIC. Whether listening to music, DVDs, or television shows, you'll appreciate the designed-in sound of either a standard six-speaker system or the available nine well-placed speakers with an 11-channel amplifier. The ∞Infinity® nine-speaker system with subwoofer gives superb quality surround sound with 506 watts of power and is standard on Limited.



YOU'VE WORKED HARD TO GIVE YOUR KIDS THE BEST.

Leave it to Town & Country to deliver a premium level of entertainment features, including a class-exclusive standard rear DVD system.⁽¹⁾ With two available nine-inch DVD screens that flip down from the overhead console, game-console inputs, and two available DVD players, the kids don't have to settle on just one thing to watch. The video system can be operated from either the rear-seat entertainment unit or the radio head unit. The self-contained entertainment system is located in the overhead rail, which also contains storage for the DVD wireless remote and wireless headphones. LED Blue Sapphire halo lighting glows from the headliner rail, providing a relaxing environment for passengers. SiriusXMTM⁽²⁾ is standard on all models.



Properly secure all cargo.

AUTHENTIC CHRYSLER ACCESSORIES.

SPORT. No matter what adventure you seek, you'll want to add to the sport of it all with durable and convenient Mopar® carriers.

COMFORT. Raise the comfort level of your vehicle's interior. From Heated Seats to Katzkin Leather Interiors, you and your passengers will notice the Mopar difference.

INNOVATION. From Uconnect® Web to Ambient Light Kits, the latest wonders of Mopar technology can enhance and expand your driving experience.

STYLE. Select from a palate of attractive accessories designed to enhance your vehicle's appearance and express your individual taste.

MOPAR® INSPIRES CAR OWNERS WITH INNOVATIVE PARTS AND ACCESSORIES – ALL MADE-TO-SPEC FOR YOUR TOWN & COUNTRY. THIS IS WHAT MOPAR DELIVERS, ALONG WITH EXPERT, CARING SERVICE. MOPAR TECHNICIANS ARE THE MASTERS OF YOUR MAKE AND MODEL, WITH ACCESS TO THE AUTHENTIC TOOLS AND DIAGNOSTIC EQUIPMENT THAT HELP GET THE JOB DONE EFFICIENTLY AND EFFECTIVELY. CHOOSE AUTHENTIC MOPAR PARTS AND SERVICE AND YOU’LL DRIVE AWAY WITH PEACE OF MIND. FIND OUT MORE AT MOPAR.COM



FASHIONABLY FUNCTIONAL.

Chromed Billet Aluminum Grille Insert, 17-inch Chrome-Clad Wheel, Roof Box Cargo Carrier, Sport Utility Bars, and Molded Running Boards.



OPTIONS AND PACKAGES

TRIM LEVELS	Touring	Touring - L	Limited
ENGINE/TRANSAXLE			
3.6L PENTASTAR® V6 VVT FLEX FUEL WITH 6-SPEED AUTOMATIC	29K	29J	29X
MECHANICAL			
ALTERNATOR – 160-amp	S	S	S
BATTERY – 730-amp maintenance-free	S	S	S
BRAKES – 4-wheel antilock with vented front and solid rear discs	S	S	S
ENGINE BLOCK HEATER	O	O	O
ENGINE OIL COOLER	S	S	S
DEFROSTER – Rear window	S	S	S
FUEL OPTIMIZER SWITCH	S	S	S
FUEL TANK – 20-gallon with tethered cap	S	S	S
HEAVY-DUTY ENGINE COOLING – Includes engine oil cooler, heavy-duty transmission and heavy-duty radiator	S	S	S
HORN – Dual note, electric	S	S	S
SPEED CONTROL – Electronic with steering wheel-mounted controls	S	S	S
STEERING – Power rack-and-pinion	S	S	S
SUSPENSION – Touring-tuned, front independent MacPherson struts and rear twist-beam axle with coil springs	S	S	S
– Load-leveling and height-control (included with Trailer Tow Group, Premium Group or Luxury Group)	P	P	P
TIP START – Quiet start, prevents double starts	S	S	S
EXTERIOR FEATURES			
DOOR HANDLES – Body-color	S	S	
– Bright (included with Remote Proximity Keyless Entry)	P	P	S
DOOR LOCKS – Power	S	S	S
DOORS – Passenger-side power sliding	S	S	S
– Driver-side power sliding	S	S	S
FASCIA – Body-color front and rear with rear scuff pad	S	S	S
FOG LAMPS – Projector	S	S	S
GLASS – Sunscreen	S	S	S
GRILLE – Bright	S	S	S
HEADLAMPS – Halogen quad with headlamps-off time delay	S	S	
– Dual High Intensity Discharge with headlamps-off time delay			S
– Automatic	S	S	S
– Smartbeam™ (included with SafetyTec™ package)	P	S	S
LIFTGATE – Power	S	S	S
MIRRORS – Body-color, power, folding, heated	S		
– Chrome, power, folding, heated, with supplemental signals and driver-side auto-dimming exterior mirror (Limited includes driver's side memory feature)		S	S
MOLDING – Bright, belt	S	S	S
– Bright, bodyside	S	S	S
ROOF RACK – Stow 'n Place™ with Black side rails	S	S	
– Stow 'n Place with bright side rails and Black end caps			S
SILL APPLIQUÉ – Body-color	S	S	S
SUNROOF – Power, includes dual rear mini overhead consoles with two bins (replaces overhead console and sunglass bin; included with Luxury Group)		O	P
TIRES – 235/60R16 BSW All-Season (included with 16-inch wheels)	P		
– P225/65R17 BSW All-Season Touring	S	S	S
– Compact spare tire	S	S	S

TRIM LEVELS	Touring	Touring - L	Limited
EXTERIOR FEATURES (CONT.)			
WHEELS – 16-inch painted aluminum wheels	O		
– 17-inch painted aluminum wheels	S	S	
– 17-inch polished aluminum wheels (included with Premium Group)		P	S
WINDOWS – Power front one-touch up/down driver's side and one-touch down front-passenger	S	S	S
– Power second-row	S	S	S
– Power rear-quarter vents	S	S	S
WINDSHIELD WIPERS – Front, variable intermittent	S	S	S
– Front, rain-sensitive (included with SafetyTec™ Package)	P	S	S
– Rear-window wiper/washer	S	S	S
INTERIOR FEATURES			
AIR CONDITIONING – Three-Zone Automatic Temperature Control with particulate air filter	S	S	S
ASSIST HANDLE – Front-passenger, mounted on A-pillar, second-row, mounted in headliner and on B-pillar	S	S	S
CARPETS – Floor and cargo area	S	S	S
CLOCK – Analog	S	S	S
CONSOLE – Overhead, with interior observation mirror, sunglasses bin, LED lamps and switches for power doors and liftgate	S	S	S
– Single rear overhead console system includes 4 storage bins, second- and third-row swivel LED lamps, halo light ring (replaced by dual mini overhead console if sunroof is ordered) (if ordered, video screens will delete storage bins)	S	S	S
FLOOR MATS – Easy-clean	S	S	S
FLOOR SILENCER – Rear	S	S	S
GARAGE DOOR OPENER – Programmable, 3-function with remote controls for garage door openers, interior/exterior home lighting, or security devices	S	S	S
GLOVE BOX – Dual	S	S	S
GROCERY BAG HOOKS – Rear third-row seatback	S	S	S
INTERIOR ACCENTS – Chrome	S	S	S
LIGHTING – Overhead ambient surround lighting	S	S	S
– Rear swiveling reading/courtesy	S	S	S
– Portable rechargeable trouble light	S	S	S
– Liftgate, single floodlamp	S	S	S
– LED, located in overhead that illuminates the front center cup holder and console	S	S	S
– Illuminated front door storage	S	S	S
– Door courtesy lamps	S	S	S
MIRRORS – Rearview, automatic-dimming with integrated microphone for Uconnect® Phone	S	S	S
– Illuminated visor vanity	S	S	S
POWER OUTLET – 12V DC located in instrument panel and rear-quarter trim panel	S	S	S
– Auxiliary, 12V in instrument panel	S	S	S
– Auxiliary, 115V inverter with auxiliary outlets in front of driver-side quarter trim panel	S	S	S
REMOTE START SYSTEM – Included with Driver Convenience Group	P	S	S
SHADES – Second- and third-row retractable window		S	S
SHIFT KNOB – Leather-wrapped	S	S	S
STEERING COLUMN – Tilt, telescoping, manual	S	S	S
STEERING WHEEL – Leather-wrapped	S	S	
– Wood/leather-wrapped			S
– Steering wheel-mounted audio controls	S	S	S
– Heated (included with Driver Convenience Group)	P	P	S

TRIM LEVELS	Touring	Touring - L	Limited
INTERIOR FEATURES (cont.)			
STORAGE – Open bin in lower instrument panel and left rear-quarter trim bin (rear bin not available on Limited)	S	S	S
– Console, premium, removable, sliding floor console with cup holders and power outlet can be adjusted for second-row passenger use	S	S	O
– Super Console – Integrated center console with covered storage bins, cup holders for first and second row, large storage drawer and two power outlets		O	S
VEHICLE INFORMATION CENTER – Displays in instrument panel, controls on steering wheel (included with SafetyTec™ Package)	P	S	S
SEATING			
FABRIC – Premium cloth	O		
– Leather-trimmed first and second row	S	S	
– Luxury Nappa leather-trimmed first and second row with suede microfiber accents			S
FRONT – 8-way power driver's seat, includes two-way power lumbar adjustment (included with cloth seats)	P		
– 8-way power driver's seat and 8-way front-passenger seat, includes two-way power lumbar adjustment for driver's seat (Limited includes driver's seat memory feature)	S	S	S
– Heated front-row seats (included in Driver Convenience Group)	P	P	S
– Heated second-row seats (included with Driver Convenience Group)		P	S
REAR – Stow 'n Go® Seating and Storage System with intermediate bucket seats with fold-in-floor and rear 60/40 split-folding bench with fold-in-floor and tailgate position features	S	S	S
– Intermediate fixed buckets with rear fold-in-floor seating		O	O
– Power one-touch folding third-row seat with power recline (included with Luxury Group or Premium Group)		P	P
UCONNECT®			
– Media Center 430 AM/FM radio with CD/DVD/MP3 format capability, audio jack, and 40GB HDD (28GB available) with USB port for uploading files, 6.5-inch touch screen for displaying music info and uploaded pictures, steering wheel music controls. Optional: Uconnect Voice Command with Bluetooth® audio, additional USB port for media devices, SiriusXM Satellite Radio™ ⁽⁹⁾ with 1-year trial included, premium audio system, rear seat entertainment capable (select vehicles)	S	S	
– Media Center 730N AM/FM radio with CD/DVD/MP3 format capability, audio jack, and 40GB HDD (20GB available) with USB port for uploading files, Uconnect Voice Command with Bluetooth, Bluetooth streaming audio, and additional USB port for media devices, 6.5-inch touch screen for displaying music info and uploaded pictures, steering wheel music controls, enhanced GPS navigation, SiriusXM Satellite Radio ⁽⁹⁾ , Travel Link™ ⁽⁸⁾ and Traffic™ ⁽⁸⁾ with 1-year trial included. Optional: premium audio system, rear seat entertainment capable (select vehicles)	O	O	S
– SiriusXM Satellite Radio ⁽⁹⁾ – Includes 1-year subscription	S	S	S
SPEAKERS – 6 speakers	S	S	
– 9 amplified speakers with subwoofer includes 506-watt amplifier			S
VIDEO SCREEN – Second-row 9-inch screen	S	S	
– Second- and third-row 9-inch screens (included with Entertainment Group #2)		P	S
SAFETY AND SECURITY			
ACTIVE HEAD RESTRAINTS⁽⁶⁾ – Front-row seats	S	S	S
AIR BAGS⁽⁹⁾ – Advanced multistage driver and front-passenger, includes low-risk deployment	S	S	S
– Side-curtain, for outboard occupants in all three rows	S	S	S
– Front-seat side mounted	S	S	S
BLIND SPOT MONITORING SYSTEM⁽⁴⁾ – Included with SafetyTec™ Package	P	S	S
CHILD SEAT ANCHOR SYSTEM (LATCH) – Mounts for two child seats in the second row help ease the installation of compatible aftermarket child seats	S	S	S
DRIVER'S INFLATABLE KNEE BLOCKER⁽⁹⁾	S	S	S
ELECTRONIC STABILITY CONTROL⁽⁷⁾ – Includes Brake Assist and all-speed traction control	S	S	S
KEYLESS ENTER 'N GO – Includes bright door handles (requires remote start; included with Driver Convenience Group)	P	P	S
PARKSENSE® REAR PARK ASSIST SYSTEM⁽⁹⁾ – Included with SafetyTec™ Package	P	S	S
PARKVIEW® REAR BACK-UP CAMERA⁽⁹⁾	S	S	S
PEDALS – Power adjustable (Limited includes memory feature)	S	S	S
REAR CROSS-PATH DETECTION⁽⁹⁾	S	S	S
REMOTE KEYLESS/ILLUMINATED ENTRY SYSTEM – Includes two transmitters, Sentry Key® anti-theft engine immobilizer, headlamps-off time delay	S	S	S

TRIM LEVELS	Touring	Touring - L	Limited
SAFETY AND SECURITY (cont.)			
SECURITY ALARM – Included with Driver Convenience Group	P	S	S
SLIDING DOOR ALERT SYSTEM – Hazard lamps flash when sliding door is in operation signaling other drivers that passengers could be entering/exiting the vehicle	S	S	S
TIRE PRESSURE MONITORING DISPLAY – Warning lamp	S		
– Displays tire pressure for each tire individually (included in SafetyTec™ Package)	P	S	S
UCONNECT™ VOICE COMMAND – Includes Bluetooth® compatible hands-free phone, remote USB port and auto-dimming rearview mirror with microphone	S	S	S
PACKAGES			
DRIVER CONVENIENCE GROUP – Includes security alarm (Touring only), heated steering wheel, heated front seats, heated second-row seats (Touring-L only), remote start (Touring only), remote proximity entry, Keyless Enter™ N Go and Uconnect Voice Command	O	O	
ENTERTAINMENT GROUP #1 – Includes second-row overhead 9-inch video screen and DVD console, wireless headphones and video remote control	S	S	
ENTERTAINMENT GROUP #2 – Includes second-row overhead 9-inch video screen and DVD console, third-row overhead 9-inch video screen, wireless headphones and video remote control		O	S
LUXURY GROUP – Includes power sunroof, third-row one-touch power folding seat and load-leveling and height-control suspension			O
PREMIUM GROUP – Includes power folding third-row seat, load-leveling suspension and 17-inch polished aluminum wheels		O	
SAFETYTEC™ PACKAGE – Includes rain-sensitive windshield wipers, SmartBeam™ headlamps, Tire Pressure Monitoring Display, ParkSense® Rear Park Assist, ⁽⁹⁾ Blind Spot Monitoring ⁽⁹⁾ and Rear Cross-Path Detection ⁽⁹⁾	O	S	S
TRAILER TOW GROUP – Includes trailer tow wiring harness, Class II receiver hitch and load-leveling and height-control suspension.	O	O	O
MOPAR®			
UCONNECT WEB⁽¹⁰⁾	O	O	O

O = Optional. S = Standard. P = Package.





16-INCH PAINTED ALUMINUM WHEEL Optional on Touring



17-INCH PAINTED ALUMINUM WHEEL Standard on Touring and Touring-L



17-INCH POLISHED ALUMINUM WHEEL
Standard on Limited and available on Touring-L (Late Availability)

WARRANTIES

Chrysler vehicles are covered by a Chrysler Group LLC 3-Year or 36,000-Mile Basic Limited Warranty (excludes normal maintenance and wear items), as well as a 5-Year or 100,000-Mile Powertrain Limited Warranty that is fully transferable and includes towing to an authorized dealer. Ask your dealer for details and a copy of these limited warranties.

AUTHENTIC CHRYSLER ACCESSORIES BY MOPAR®

Are designed specifically for your Chrysler vehicle for exceptional fit, finish, and performance. Visit your dealership or mopar.com.

AUTOMOBILITY

Chrysler Group LLC's Automobility program provides aftermarket reimbursement incentives on adaptive vehicle upfit equipment in order to help provide safe and reliable vehicle modifications to enhance accessibility for all people. For more information, call (800) 255-9877 or visit chryslerautomobility.com.

UCONNECT®

With Uconnect, you're always connected – to people, places, music, movies, and the Internet.

SiriusXM™ SATELLITE RADIO

SiriusXM Satellite Radio delivers over 130 channels, including 100% commercial-free music, sports, news, talk, entertainment, traffic and weather. Factory-installed SiriusXM Satellite Radio includes a one-year subscription. For more information, go to siriusxm.com.




CHRYSLER SERVICE CONTRACTS

Chrysler Group LLC has a vested interest in your satisfaction and owner experience with your new Chrysler vehicle. Chrysler Group LLC Service Contracts offer extended service plans to help ensure that you'll enjoy your vehicle for many years down the road – for just pennies a day. For more information on comprehensive vehicle coverage, see your Chrysler dealer, call (800) 442-2666, or visit chrysler.com/csc.

THE CHRYSLER COLLECTION

Display your affection for striking style with merchandise to complement an active lifestyle. From trendy apparel to conversation pieces for home, office, and travel, visit chrysler.com/collection.

JOIN IN

   Join fellow enthusiasts and tell your story by posting comments, participating in discussions, and sharing your Chrysler vehicle photos and videos. Join our community on Facebook (facebook.com/Chrysler), follow us on Twitter (twitter.com/Chrysler), and check us out on YouTube (youtube.com/TheChryslerChannel). Thank you for following.



iPAD™ APPS

Take an engaging, touch-based multimedia tour when you visit the Chrysler Group LLC iTunes® page on your Apple iPad. Download these apps to experience visual and interactive demonstrations of the entire vehicle lineup.



Earn 3 points on qualifying purchases made at Chrysler Group LLC dealerships, 2 points per \$1 on qualifying travel purchases and 1 point per \$1 on qualifying purchases everywhere else with the new Chrysler® MasterCard.® Points may be redeemed at your local dealership for cash off your new or used vehicle, accessories, parts, or service – including your next oil change. Or choose from hundreds of other rewards, including travel, cash back to your account, merchandise, or gift cards.⁽¹¹⁾ For more information or to apply, visit ChryslerCard.com.

SiriusXM

Chrysler
Service
Contracts

AUTOMOBILITY
PROGRAM
CHRYSLER | JEEP | DODGE | RAM

5 YEAR / 100,000 MILE
POWERTRAIN WARRANTY



Uconnect®

⁽¹⁾ Based on the latest model year information on vehicles in the Chrysler Group LLC Premium Minivan segment. ⁽²⁾ Detects most obstacles. As with all electronically controlled systems, care is advised. ⁽³⁾ Always check entire surroundings visually before backing up. ⁽⁴⁾ Always check visually for vehicles prior to changing lanes. ⁽⁵⁾ The advanced front air bags in this vehicle are certified to the new U.S. federal regulations for advanced air bags. Children 12 years old and younger should always ride buckled up in a rear seat. Infants in rear-facing child restraints should never ride in the front seat of a vehicle with a passenger front air bag. All occupants should always wear their lap and shoulder belts properly. ⁽⁶⁾ Always sit properly with the head restraint properly adjusted. Never place anything in front of the head restraint. ⁽⁷⁾ No system, no matter how sophisticated, can repeal the laws of physics or overcome careless driving actions. Performance is limited by available traction, which snow, ice, and other conditions can affect. When the ESC warning lamp flashes, the driver needs to use less throttle and adapt speed and driving behavior to prevailing road conditions. Always drive carefully, consistent with conditions. Always wear your seat belt. ⁽⁸⁾ SiriusXM services require subscriptions, sold separately after 12-month trial included with vehicle purchase/lease. Subscriptions governed by SiriusXM Customer Agreement at siriusxm.com. If you decide to continue your SiriusXM service at the end of your complimentary trial, the plan you choose will automatically renew and bill at then-current rates until you call SiriusXM at 1-866-635-2349 to cancel. SiriusXM U.S. Satellite service available only to those at least 18 years of age in the 48 contiguous United States and D.C., with Sirius also available in PR. Go to www.siriusxm.com/traffic for available coverage. © 2011 SiriusXM Radio Inc. ⁽⁹⁾ Phone must support Bluetooth Phone Book Access Profile (PBAP). ⁽¹⁰⁾ Uconnect Web feature is not intended for use by the driver while the vehicle is in motion. Always drive carefully. Subscription required. ⁽¹¹⁾ Complete details, including restrictions, limitations, and exclusions, will be available when you become a Cardmember.

This brochure is a publication of Chrysler Group LLC. All product illustrations and specifications are based upon current information at the time of publication approval. Chrysler Group LLC reserves the right to make changes from time to time, without notice or obligation, in prices, specifications, colors, materials and to change or discontinue models, which are considered necessary to the purpose of product improvement or for reasons of design and/or marketing. Chrysler, Mopar, ParkSense, ParkView, Pentastar, Sentry Key, Stow 'n Go, Town & Country and Uconnect are registered trademarks and Imported From Detroit. SafetyTec and Stow 'N Place are trademarks of Chrysler Group LLC. Bluetooth is a registered trademark of Bluetooth SIG, Inc. Facebook is a registered trademark of Facebook Inc. HomeLink is a registered trademark owned by Johnson Controls, Inc. Infinity is a registered trademark of Harman International, Inc. iTunes and iPod are registered trademarks and iPad is a trademark of Apple Inc. Katzin is a registered trademark of Katzin Leather Interiors, Inc. MasterCard is a registered trademark of MasterCard International Incorporated. This card is issued by First BankCard, a division of First National Bank of Omaha, pursuant to a license by MasterCard International Incorporated. Quiet Steel is a registered trademark of Material Sciences Corporation. SIRIUS, XM and all related marks and logos are trademarks of SiriusXM Radio Inc. and its subsidiaries. SmartBeam is a trademark of Gentex Corporation. The Twitter name, logo, Twitter T, Tweet, and Twitter bird are trademarks of Twitter, Inc. in the United States and other countries. YouTube is a registered trademark of Google Inc.

WHITE GOLD*

BRILLIANT BLACK
CRYSTAL PEARL

BRIGHT SILVER METALLIC

STONE WHITE

TRUE BLUE PEARL

DEEP CHERRY RED
CRYSTAL PEARL

CRYSTAL BLUE PEARL†

SAPPHIRE CRYSTAL METALLIC*

DARK CHARCOAL PEARL

CASHMERE PEARL†

*Limited Availability. †Late Availability.

EXTERIOR COLORS

INTERIOR SEAT COLORS

BLACK CLOTH

LIGHT
GRAYSTONE
CLOTH

MEDIUM FROST
BEIGE CLOTH

BLACK
LEATHER
TRIM

LIGHT GRAYSTONE
LEATHER TRIM

MEDIUM FROST BEIGE
LEATHER TRIM

PREMIUM BLACK NAPPA
LEATHER TRIM
WITH SUEDE MICROFIBER
ACCENTS

PREMIUM LIGHT
GRAYSTONE NAPPA
LEATHER TRIM WITH
SUEDE MICROFIBER
ACCENTS

PREMIUM MEDIUM
FROST BEIGE NAPPA
LEATHER TRIM WITH
SUEDE MICROFIBER
ACCENTS

CHRYSLER



IMPORTED FROM DETROIT™

1 800 CHRYSLER | CHRYSLER.COM

CHRYSLER IS A REGISTERED TRADEMARK OF CHRYSLER GROUP LLC.

74-383-2230