

MAYBACH



MAYBACH 62 S

MAYBACH 62 S







VEHICLES

SANSOME

Style is a language which is understood all over the world

The world's great cities are mirrors of the age we live in. Nowhere is the pace of life faster, nowhere do traditional values and the forces of innovation and dynamism coexist so closely. The surest method of maintaining a point of reference in this challenging environment is to express one's own identity unequivocally – and to transcend events from a position of self-assurance. A Maybach 62S allows you to do both in an exceptionally luxurious and incontestably stylish way. Give your ideas the freedom they deserve.

And enjoy the difference.





## Vision needs space

Travel. Meetings. Decisions. People whose daily lives are delineated by this triangle define luxury in a different way. A way which is more sophisticated. More subtle. It manifests itself in a number of forms including a particular appreciation of personal spaces offering peace and quiet, an opportunity to relax and a sense of security. It was with this in mind that we developed the Maybach 62 S – “S” as in “special”. Exceptional, both in terms of its dimensions and its dynamic, elegant character, this exclusive saloon is equipped with all the comforts which make a car a Maybach – and which allow you to turn the hours between meetings into inspiring, productive time. Effortlessly.











Change. The best way to stay true to yourself

Like every Maybach, the Maybach 62S has the genes of its legendary predecessors. It measures an impressive 616 centimetres, every one of them a perfect example of technological excellence, traditional craftsmanship and brilliant design. Furthermore, the Maybach 62 harnesses all these qualities to interpret the rich heritage of the brand in a new, highly contemporary paradigm which looks to the future with great self-assurance. This manifests itself in the car's powerful, athletic character and its deliberately distinctive, harmonious looks. As always, if you want to go your own way, you have to be prepared to leave the beaten track.







CONFIDENT. ELEGANT. DETERMINED.  
THE EXTERIOR











## SUCCESS: THE EYES HAVE IT



There are some faces you never forget. A case in point is the Maybach 62 S. Strength and determination are the dominant themes which are communicated by the distinctive twin louvres of the gently inclined radiator grille. Framing them, a wide surround in gleaming chrome forms a solid foundation for the classic double-M device. Then there are the eyes: large clear-lens headlamps whose intricate optics are brought out all the more effectively by their striking body-colour background. Fog lamps with an elegant



chrome surround complete the brilliant overall impression. The noticeable attention to detail which permeates the Maybach 62 S and the sense of energy evoked by the taut lines of its body demonstrate that it is perfectly possible for a highly prestigious luxury saloon to have an agile, contemporary character. Despite its dynamic aura, this impressive vehicle is imbued with the spirit of classic automotive values – thanks to the sensitivity and judgement of its designers.





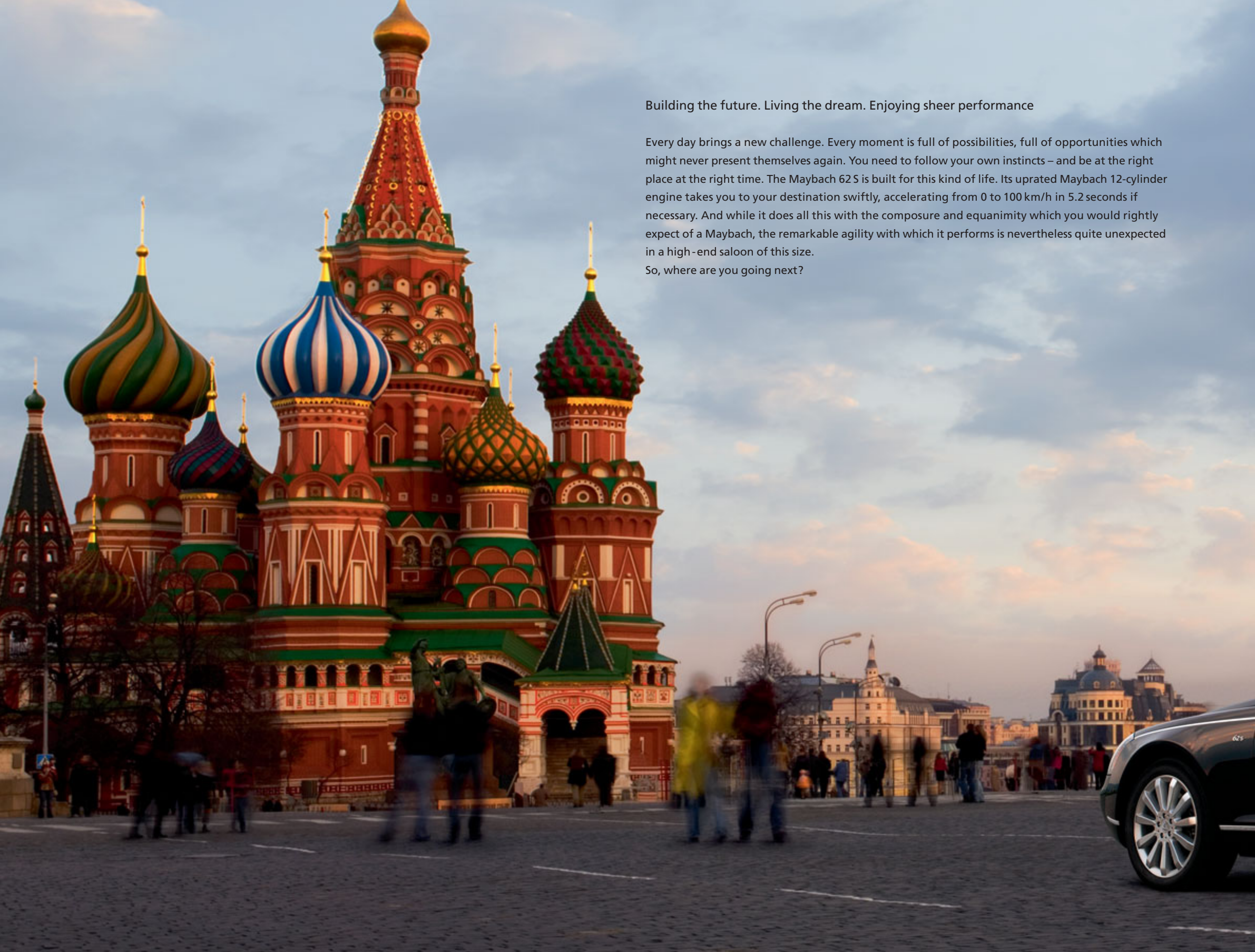


## DETAILS WHICH SPEAK VOLUMES



Exclusive 11-spoke 8.5 J x 20-inch wheels add a particularly powerful and dynamic touch to the unmistakable profile of the Maybach 62S while special tyres deliver outstanding grip and precise handling. But aesthetic and dynamic considerations never compromise the outstanding comfort with which Maybach has been synonymous for decades. The highly sensitive AIRMATIC Dual Control air suspension with its adaptive damping system ensures that the occupants can enjoy the journey even if the roads are in a poor condition.





Building the future. Living the dream. Enjoying sheer performance

Every day brings a new challenge. Every moment is full of possibilities, full of opportunities which might never present themselves again. You need to follow your own instincts – and be at the right place at the right time. The Maybach 62S is built for this kind of life. Its updated Maybach 12-cylinder engine takes you to your destination swiftly, accelerating from 0 to 100 km/h in 5.2 seconds if necessary. And while it does all this with the composure and equanimity which you would rightly expect of a Maybach, the remarkable agility with which it performs is nevertheless quite unexpected in a high-end saloon of this size. So, where are you going next?







## THE POWER TO MOVE YOU



Beneath the gracefully sweeping lines of the bonnet beats the heart of the Maybach 62 S: a 12-cylinder, six-litre Maybach engine which develops 450 kW/612 hp thanks to twin turbochargers and a water-to-air intercooler. Its maximum torque of 1000 Nm is available across a wide engine speed range from 2000 to 4000 rpm. The barely perceptible whisper which characterises the engine sound belies the extremely impressive performance delivered by the power plant which is painstakingly assembled by hand in the Mercedes-AMG engine workshop (known as the "Manufaktur"). In accordance with the "one man, one engine" philosophy, each of the high-performance power plants is hand-assembled by a highly experienced engineer whose signature appears on a plate on the engine cover – an emblem of outstanding quality and care. Externally, only the specially designed exhaust system with two visible tailpipes betrays the presence of the most powerful Maybach engine of all time.



**MAYBACH**  
TYPE 12 ENGINE  
exclusively handcrafted by  
*Walter Mücke*







MAYBACH

600

S-MM 6206





## TWO BRILLIANT OPPORTUNITIES TO MAKE THE RIGHT DECISION

Sumptuous paint finishes produced in accordance with the finest traditions of the art have always lent the cars of the Maybach brand a uniquely distinguished character. The time-consuming process of applying the paint by hand in several phases guarantees a perfect and breathtakingly lustrous finish. And the Maybach 62 S is no exception: it continues this tradition with two specially composed

exclusive paint finishes. There is Baltic Black, which provides ultimate proof that black can be a remarkably complex colour, too. Deep, intense and unfathomable, Baltic Black lends the long body of the Maybach 62 S an aura which is both prestigious and athletic. The no less attractive alternative is Nevada Silver, a metallic paint in which sunlight is separated as though in a prism. A Maybach 62 S in Nevada

Silver has an extraordinary visual lightness: despite its imposing size, the car seems to have a distinctly metamorphic character almost akin to that of a sculpture. But whichever choice you make, you can be sure it will be a good one.



LUXURY AND INDIVIDUALITY WITHOUT COMPROMISE.  
THE INTERIOR











## BUSINESS HAS ITS PLEASURABLE SIDE, TOO

The quiet atmosphere and prodigious amounts of space to be found in the rear of the Maybach 62 S provide an ideal environment for concentrating on work and holding discussions. If you specify the optional recessable glass partition with transparent/opaque switching functionality\*, the rear passenger compartment can even be completely isolated from the front at the push of a button. Equally worthy of note, if not more so, are the possibilities for relaxation: the unique reclining rear seats can be adjusted to any position between normal sitting and relaxed reclining. Diverse audio and video components as well as TV monitors built into the backs of the front seats offer plenty of scope for entertainment. Everywhere you look, you are surrounded by luxurious

appointments of the highest quality which have been hand-crafted with consummate skill by dedicated experts. The fine materials have been selected to match the dynamic character of the Maybach 62 S: the tone is set by wood elements in piano lacquer/carbon or piano lacquer/poplar in anthracite as well as by leather appointments of the finest quality in two colour schemes. Anthracite Alcantara, used lavishly on the roof lining and side trim panels, adds the perfect finishing touch to the exclusive interior of your "business jet on wheels".

\* Variations may be possible, depending on legal stipulations in individual countries

## LOOK AND FEEL



The driver's area is a feast for the eyes. High-gloss piano lacquer and carbon elements on the centre console lend visual emphasis to the dynamic performance of the Maybach 62 S. An equally impressive variant with a combination of piano lacquer and "anthracite poplar" wood trim is also available. In addition to its visual appeal, the four-spoke steering wheel with its piano lacquer function buttons and its partially perforated black nappa leather trim is extremely pleasant to the touch.











## ENJOY TRUE LUXURY: HOME FROM HOME

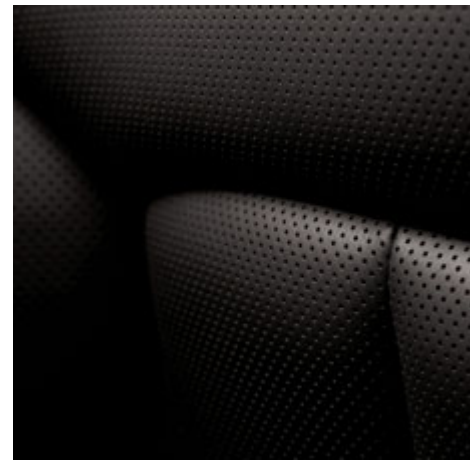
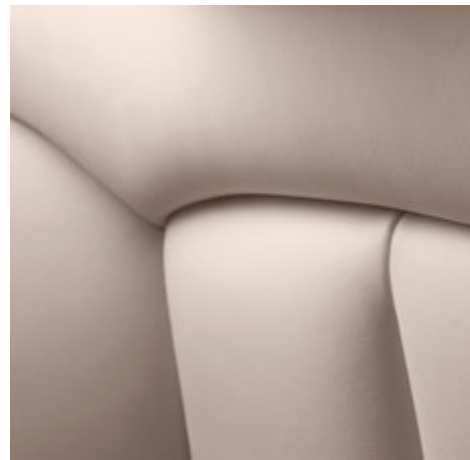
The more you find yourself in the limelight, the more you appreciate private, quality time. Especially when it is spent in an environment as comfortable and stylish as that offered by the Maybach 62 S. It begins as soon as you get in: you settle into one of the reclining rear seats and close the door. Aided by servo motors, it shuts gently and

securely. You are in a world of peace and tranquillity. A touch of a button and your seat slides into a comfortable reclining position as you become aware of the aroma of fine leather. The soft evening light admitted by the glass roof plays on the wood trim elements and is refracted by the eight layers which make up the piano lacquer.

You choose a little refreshment from the refrigerator box and trigger the closure of the privacy curtains on the tinted side and rear windows\*. Peace at last. Home at last. Just one more decision – the last of the day – remains to be taken: La Traviata on CD or Rigoletto on DVD?

\* Variations may be possible, depending on legal stipulations in individual countries

## LONG-HAUL TRIPS HAVE NEVER FELT BETTER

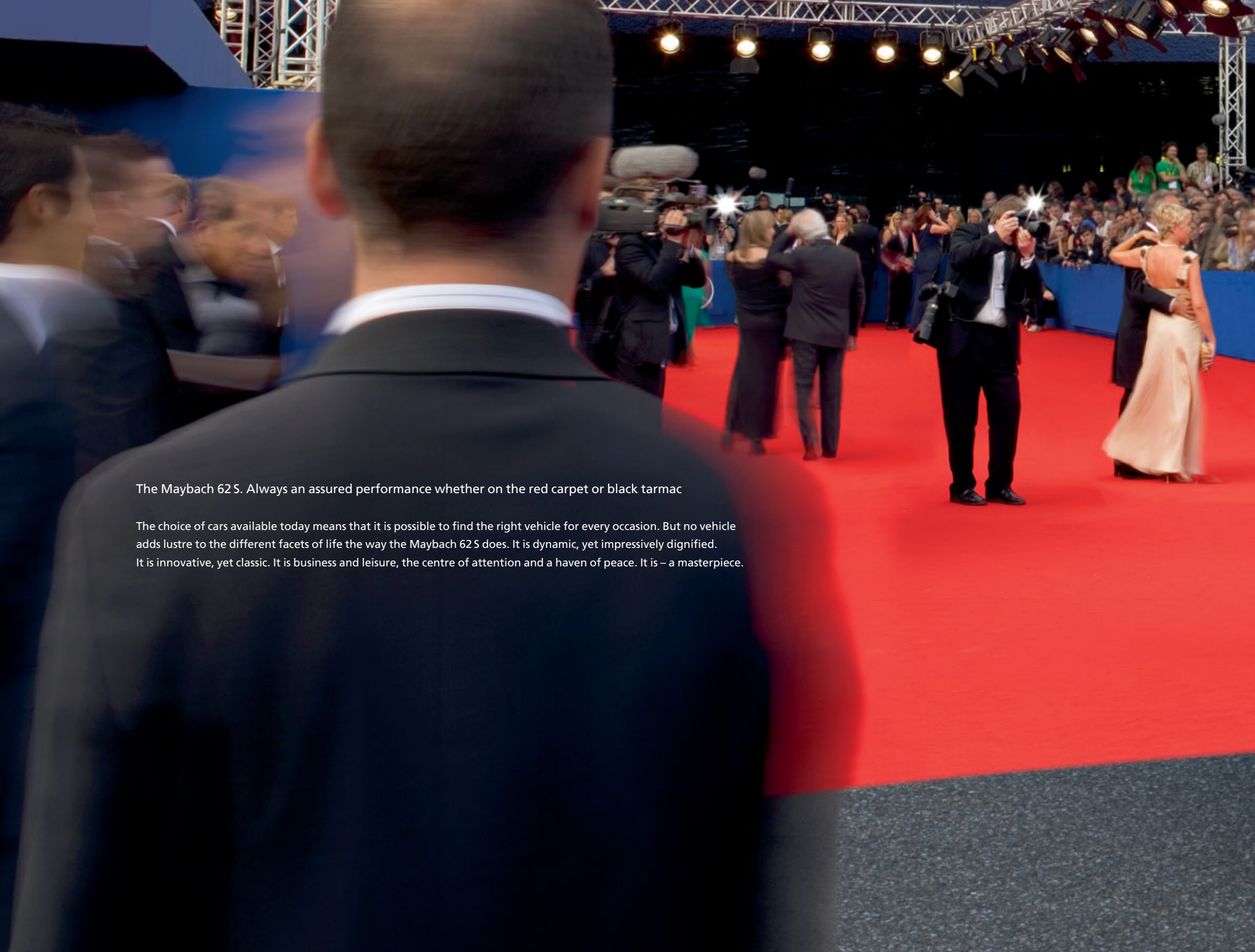


Particularly soft, traditionally crafted leather makes an important contribution to the outstanding comfort offered by the Maybach 62 S. Maybach Grand nappa leather, as it is known, owes its unique quality to the experienced tanners who work it in such a way that its surface remains open and the delicate pores visible. Thanks to these characteristics, it complements the outstandingly comfortable climate aboard the vehicle and has an extremely pleasant texture. The front seats and the reclining rear seats of the Maybach 62 S are finished in Grand nappa leather – available in Vesuvius Black, with black or silver piping, or in Aspen White with black piping. The same luxurious leather can also be found on the door panels, the selector lever and other interior details – in the case of the Aspen White variant, these areas have a two-tone colour scheme in combination with Vesuvius Black. Leather-trimmed seat bases complete the extensive list of leather appointments.









The Maybach 62 S. Always an assured performance whether on the red carpet or black tarmac

The choice of cars available today means that it is possible to find the right vehicle for every occasion. But no vehicle adds lustre to the different facets of life the way the Maybach 62 S does. It is dynamic, yet impressively dignified.

It is innovative, yet classic. It is business and leisure, the centre of attention and a haven of peace. It is – a masterpiece.





EQUIPMENT, TECHNICAL DATA AND SERVICE



## SELECTED STANDARD FEATURES OF THE MAYBACH 62 S

### Engine

Vast reserves of power, outstanding smoothness and the last word in driving comfort are the key characteristics of the Maybach "Type 12" engine used in the Maybach 62 S. This **twelve-cylinder unit** with a displacement of 6 litres, twin turbochargers and charge-air cooling undergoes an **elaborate uprating process** at Mercedes-AMG where it is painstakingly assembled by hand. The result is an output of 450 kW/612 hp and maximum torque (which is electronically limited) of 1000 Nm between 2000 and 4000 rpm.

### Automatic transmission

The proven Maybach 5-speed automatic transmission transfers the engine's tremendous torque to the driving wheels smoothly and surely. Its electronic control system makes for almost imperceptible gear shifting which enhances driving comfort. A programme selector button allows the driver to choose between the "S" (standard) and "C" (comfort) shift programmes.

### Suspension – AIRMATIC Dual Control

Sophisticated electronic suspension technology contributes to the superior handling of the Maybach 62 S. Working in concert with a dual-wishbone front axle, multi-link independent rear suspension and reinforced stabiliser bars, the **AIRMATIC Dual Control** air suspension ensures that the vehicle can realise its impressive dynamic potential safely and assuredly at all times. AIRMATIC DC consists of air springs with an additional spring-rate adjustment system and an adaptive damping system. A level-control function is also integrated.

### Brakes and dynamic handling systems

The Electronic Stability Program (ESP®), acceleration skid control (ASR) and the brake system have been optimised for the higher performance of the Maybach 62 S.

### PARKTRONIC

PARKTRONIC supports the driver when parking and manoeuvring. The system, which is based on the echo-sounder principle, uses LED displays to show the driver how close the vehicle is to an obstacle. If the gap falls below a certain limit, an audible warning is also given.

### Tyre pressure monitoring

Active all the time, the tyre pressure monitoring system is able to enhance driving safety by helping to prevent tyre failure which could have serious consequences. The system checks the tyre pressure in all four wheels at frequent, regular intervals and warns the driver via a display if a reading does not match the required level.

### Luxury seats

The driver and front passenger of the Maybach 62 S benefit from integral seats whose sophisticated design is characterised by innovative technical solutions and excellent long-distance comfort. As the upper guide of the shoulder belt is integrated in the backrest, the path of the shoulder belt is optimised for the height of the driver and passenger, thus enhancing safety to a significant degree. The seats, which are upholstered in Grand nappa leather, have a **multi-contour backrest with a dynamic lumbar support** and are electrically adjustable. The longitudinal position, height, backrest and cushion inclination, cushion length and head-restraint height can be adjusted individually and their settings stored by means of five memory buttons on the door lining.

### Reclining rear seats

A new dimension of individual travelling comfort is opened up by the unique reclining rear seats in the Maybach 62 S. A padded support for the lower legs and feet can be deployed at the touch of a button in order to change from an upright sitting position to a relaxing reclining one. Whichever position is chosen, optimum

postural support is provided at all times. A belt system integrated in the seat and a special mechanism for tensioning the lap belt offer highly effective restraint even in the reclining position.

### Seat heating and ventilation

All the seats in the Maybach 62 S are equipped with a powerful heating system which can be adjusted individually to increase passenger comfort. This system can be complemented with an optional **active seat ventilation** system. Featuring up to ten fans integrated in the upholstery of the backrest and cushion, the latter system ensures the seat occupant's comfort even in extremely hot conditions or when seated for extended periods.

### Passive safety

A crash-optimised safety cell increases the level of protection offered to the occupants of the Maybach 62 S. **The vehicle body sets the standard with the thickness of its panels, its joining technology and the quality of its materials.** Furthermore, in the event of an impact, the vehicle is able to identify the type and severity of the accident thanks to the latest sensor technology. This includes a roll-over sensor and a membrane-type front-passenger weight (Occupant Classification) sensor integrated in the seat cushion. Two satellite sensors at the front of the vehicle contribute to earlier detection of the severity of an accident. The driver and front-passenger airbags in every Maybach have two activation stages which are triggered in accordance with the severity of the accident. All four seats are equipped with automatic comfort-fit three-point seat belts with belt tensioners and belt force limiters. The upper belt guide point is integrated in the backrest (integral seats). Sidebags in the front and rear seat backrests as well as separate front and rear windowbags also protect the passengers. Moreover, the reclining rear seats are equipped with crash-optimised backrests.

### Heat-insulating glass

With the exception of the front section of the panoramic roof, all external windows of the Maybach 62 S are made of laminated safety glass with a reflective coating which noticeably reduces heat build-up in the interior. Viewed from the outside, the windscreen and front side windows have a slight grey-green tint while the rear windows are tinted black (please note that versions may differ from country to country depending on the applicable legal regulations).

### COMAND

COMAND is a control and display system which provides the occupants with a particularly user-friendly way of controlling the integrated **audio, video, telephone and navigation systems**. The driver and front passenger use the central COMAND control unit with its integral video-capable display in the front section of the centre console. This controls not only the front radio, DVD player, TV and telephone, but also the navigation system and information services. The rear passengers can control the audio and TV systems using a remote control which works in conjunction with the rear monitor screens – the CD changer and DVD player fitted in the rear centre console between the seats are also controlled in this way. The communication systems can also be voice-operated from the driver's seat – a feature which enhances safety as it allows the driver to keep both hands on the wheel.

### KEYLESS-GO

Thanks to KEYLESS-GO, you can **unlock and start** your Maybach 62 S **without a key**. All you have to do is carry the card with you – the system's electronics take care of everything. Please note that versions may differ from country to country depending on the applicable legal regulations.



The three beautifully finished duplicate instruments keep the rear passengers informed about the car's speed, the time and the outside temperature. Their housing and support are finished in black piano lacquer in the Maybach 62 S

### Automatic climate control

Air temperature and quality play a decisive role in the well-being of the vehicle occupants. With **two climate-control systems and four climate zones**, the Maybach 62 S allows each occupant to set his or her preferred travelling temperature individually. The system for the front section of the passenger compartment and the second one for the rear section can be programmed and operated independently. **Largely draught-free**, both systems are extremely powerful and able to deliver the ideal temperature and climate conditions with very short response times. The temperature, air flow rate and distribution can be set separately for each passenger. A specially designed ventilation system around the side windows provides added comfort when outside temperatures are particularly high or low. A solar sensor automatically makes the necessary temperature adjustments. And, of course, the system is equipped with a dust and activated charcoal filter with pollutant sensor and recirculation control.

### TV

The front and rear sections of the passenger compartment have **separate TV reception systems**. The COMAND TFT colour display serves as the TV monitor for the driver and front-seat passenger while the two rear passengers have their own monitors set into the backrests of the front seats. In accordance with the statutory regulations, TV reception is possible in the front section up to a speed of 8 km/h. No speed restriction applies to rear TV reception.

### BOSE® Everywhere Dolby Surround Sound System

With a power output of 600 watts and no less than **21 loudspeakers fitted so discreetly that they are practically invisible**, the Maybach 62 S offers its occupants a unique surround-sound experience. Dynamic Range Optimisation (DRO) uses a microphone to pick up variations in the ambient sound level inside the car and corrects the output to ensure that the volume level perceived by the occupants remains constant.





## OPTIONAL EXTRAS. A SELECTION

### Electrotransparent panoramic glass roof

The innovative and extremely impressive panoramic glass roof allows the ambience aboard the Maybach 62 S to be adjusted in accordance with the occupants' requirements. The lower of the two large, superimposed, glass panels which form the roof is electrotransparent and can be rendered opaque at the touch of a button, thus changing the light conditions and the ambience inside the vehicle. An electrically operated sliding roof liner situated between the inner and outer panels becomes luminescent when a voltage is applied to it. A potentiometer in the rear centre console allows the light intensity to be adjusted. The section of the roof above the front section of the passenger compartment is equipped with solar cells, thus creating a continuous glass surface extending from the windscreen to the rear window when the roof is viewed from the outside.

### Modular roof system

The Maybach 62 S is available with an optional electric tilting/sliding sunroof over the rear section of the passenger compartment. Made from 6-mm thick laminated glass, this roof creates a bright, friendly interior atmosphere and enhances the comfort offered by the climate control system.

### Folding tables

Two folding tables are integrated in the two rear seats of the Maybach 62 S. When they are deployed, both their fore-and-aft position and angle of tilt can be adjusted continuously. When not required, the two-part table top can be folded together and stowed.

### Rear refrigerator box

Chilled drinks are always available thanks to the refrigerator box accommodated in the rear centre console. The unit has its **own compressor and thermostat** to ensure that its contents are kept reliably at the desired temperature.

### Rear telephone

In the front, there is a built-in telephone system with two cordless handsets. This can be complemented by a **mobile phone** for the rear passengers. It is integrated in the rear armrest where the standard cordless handset for the rear is also accommodated.

### Partition

The optional partition allows the front and rear sections of the passenger compartment to be separated completely. Fitted in the area of the B-pillars, the partition features an upper **glass panel which is electrotransparent**. Vehicles with a partition are automatically equipped with an intercom.

### DISTRONIC

The DISTRONIC proximity control system helps the driver to keep a set distance from the vehicle ahead and can thus make driving less stressful, especially on motorways and similar roads. When the vehicle is operating at speeds ranging from about 30 km/h to 180 km/h, a microcomputer processes the signals from a **radar sensor** in the radiator grille. The vehicle in front reflects the radar signals which are used to calculate its speed and distance, the latter information being shown on a display. If the distance falls below the set limit, the

car decelerates automatically. Once the distance has increased again, the car accelerates. If heavy braking is required, audible and visible signals alert the driver that it is necessary to intervene.

### A Maybach is built by hand – but created in the mind

Brochures like this can never convey fully the possibilities offered by the vast ranges of optional extras and accessories which are available to make your Maybach 62 S a one-off, specially built in accordance with your wishes – and in keeping with the traditional “Manufaktur” philosophy. Just tell your Personal Liaison Manager about your ideas and requirements. He or she will be delighted to give you a personal presentation of the world of the Maybach 62 S.



## OUR SUPPORT AND SERVICE IS LIKE YOUR MAYBACH: FIRST CLASS

There is no need to wait until you take the wheel of your Maybach to experience the unique character of the double-M brand. The standards we set for the quality of our customer advice and support services are characterised by the same rigour and thoroughness which we bring to the manufacturing process: we want to offer future Maybach owners service which is nothing less than perfect. Individual, dedicated, dependable and comprehensive. And please remember: whatever requirements you have with regard to your vehicle, we will do everything we can to turn them into reality.

### Your Personal Liaison Manager

Individual support is the foundation of our service philosophy. That is why we assign a **Personal Liaison Manager** to each Maybach customer right from the very first contact with us. Fully qualified, he or she is your direct contact for all questions and is dedicated to handling all your requirements relating to the vehicle. He or she will also be delighted to arrange an initial test drive in a Maybach. And once you have taken delivery of your Maybach, you can still **contact your Personal Liaison Manager whenever you require assistance.**

### Maybach Atelier

The heart of the Maybach brand lies in Sindelfingen, some 20 km from Stuttgart. It is here, at the same site as the Maybach Manufaktur, that the Maybach Atelier is to be found in the Center of Excellence.

Its 850 square metres of exhibition space provide an exclusive setting for **presenting superb Maybach vehicles and receiving discerning customers.** The latest presentation methods are used to familiarise customers with every aspect of the cars. The key element in this, after the vehicles themselves, is the Maybach Commissioning Wall – a wall almost eight metres long, on which original exhibits reflecting the range of standard and optional features are displayed. The equipment and appointments selected here can be viewed in context immediately by means of the Maybach Car Demonstrator, a specially developed visualisation tool which shows a customer's chosen configuration in the form of large virtual images.

### A Maybach Centre in every great city

Customers who are not able to get to the Center of Excellence in Sindelfingen in person can visit one of the Maybach Centres. Located in the world's great cities, the Centres provide a setting in which you can present your ideas for your future Maybach to your Personal Liaison Manager who will then implement them virtually. As in the Maybach Atelier, a Commissioning Wall and a Car Demonstrator allow you to run through your ideas in great detail and with remarkable authenticity – until you are quite certain about your requirements.

### Maybach Service Centres

As the owner of a Maybach, you can count on excellent support and service quality any time and anywhere. The special Maybach Service Centres play a key role in this respect: it is here that all the work associated with the maintenance and upkeep of your vehicle is performed in accordance with the high standards of the brand. You can also count on the comprehensive technical know-how of the **Maybach Expert Team.** If necessary, the specialists from the Maybach Service Centre can visit you to provide speedy, unbureaucratic assistance – **regardless of where you and your Maybach happen to be.** Your Personal Liaison Manager is in close contact with the Maybach Service Centre and is able to provide you with details of the current status of your vehicle at any time. For more straightforward assistance and maintenance work, all Maybach customers can also make use of the extensive Mercedes-Benz passenger-car service network.





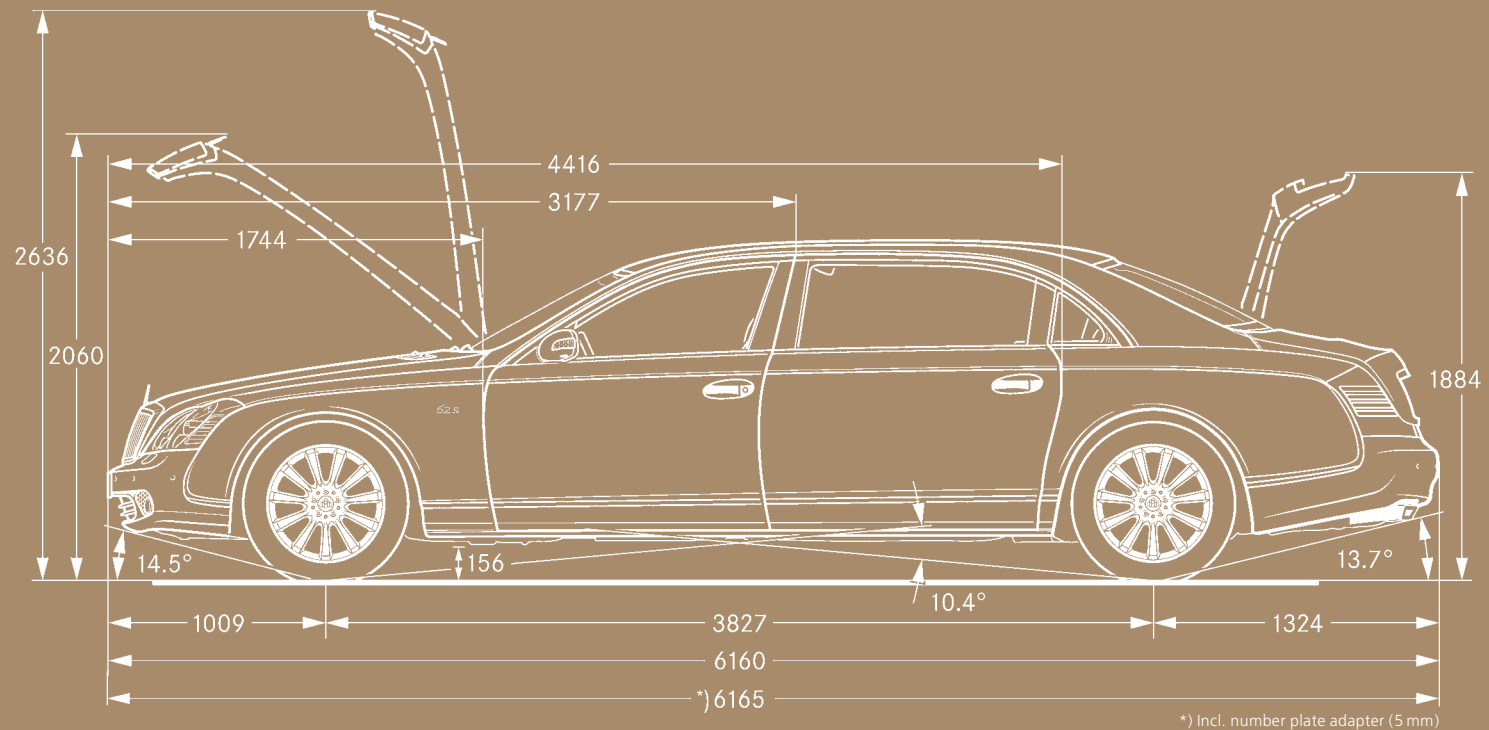
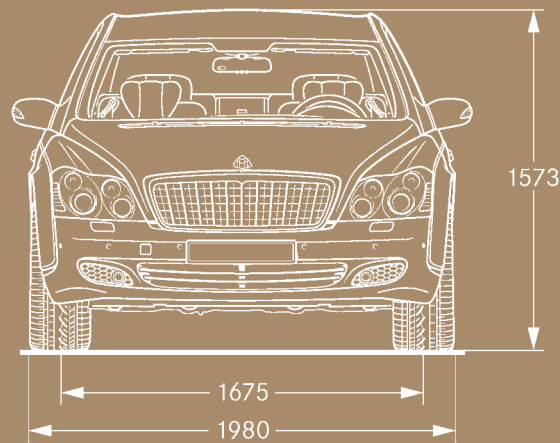


## TECHNICAL DATA

To choose the Maybach 62 S is to choose a motor car of the very highest quality – in terms of both the materials used to build it and the technology on which it is based. The uprated engine and the specially tuned suspension are based on highly advanced and thoroughly proven Maybach technology. First-class workmanship, proven components and the skill of the Maybach design engineers

make every kilometre an absolute pleasure. The vehicle is covered by a 4-year unlimited mileage warranty, in accordance with our general terms and conditions, as well as by a 4-year maintenance and repair package, in accordance with our maintenance and repair conditions. The fuel consumption of the Maybach 62 S is 24.6 l/100 km (urban), 11.8 l/100 km (extra-urban) and 16.4 l/100 km (combined)

while its CO<sub>2</sub> emissions are 405 g/km (combined). The figures are not based on an individual model and are provided solely for purposes of comparison between different vehicle models.



\*) Incl. number plate adapter (5 mm)

## TECHNICAL DATA

### Maybach 62 S

No. of cylinders/arrangement	12/V
Bore/stroke (mm)	82.6 x 93.0
Total displacement (cc)	5980
Rated output (kW at rpm) <sup>1</sup>	450/4800 – 5100
Rated torque (Nm at rpm) <sup>1</sup>	1000/2000 – 4000
Compression ratio	9.0 : 1
Acceleration	
0 – 100 km/h (s)	5.2
0 – 60 mph (s)	5.0
0 – 200 km/h (s)	16.2
80 – 120 km/h (s)	3.8
Top speed approx. (km/h) <sup>2</sup>	250

<sup>1</sup>Figures in accordance with Directive 80/1269/EEC in the current version

<sup>2</sup>Electronically governed

<sup>3</sup>The figures shown were obtained in accordance with the prescribed measuring process (Directive 80/1268/EEC in the currently applicable version). The figures are not based on

Fuel consumption in (l/100 km) <sup>3</sup>	
urban	24.6
extra-urban	11.8
combined	16.4
CO <sub>2</sub> emissions (combined) (g/km) <sup>3</sup>	390
Power transfer	
Drive	Rear-wheel drive
Transmission	5-speed automatic
Power-assisted steering	Recirculating-ball
Tyre size	275/45 R 20
Wheel size	8.5 J x 20 ET 67

an individual vehicle and are provided solely for purposes of comparison between the different vehicle models

<sup>4</sup>Super unleaded may be used, but it will not be possible to attain maximum performance

<sup>5</sup>Figures in accordance with Directive 92/21/EC, version 95/48/EC (kerb weight with fuel tank

Tank capacity (l)/incl. reserve	110/14
Fuel type	Super Plus <sup>4</sup>
Kerb weight (kg) <sup>5</sup>	2855 (as per DIN: 2780)
Perm GVW (kg)	3380
Payload (kg)	525 (nach DIN: 600)
Dimensions	
Length (mm)	6165
Width (mm)	1980
Height (mm)	1573
Wheelbase (mm)	3827
Turning circle (m)	14.8
Luggage capacity (max. l)	605

90% full, driver, 68 kg, and luggage, 7 kg) for standard-specification vehicles. optional extras and accessories will generally increase this figure and reduce the payload capacity accordingly



Please note: changes may have been made to the product since this brochure went to press (August 29, 2006). The manufacturer reserves the right to make changes to the design, form, colour and specification during the delivery period, provided these changes, while taking into account the interests of the vendor, can be deemed reasonable with respect to the purchaser. Where the vendor or the manufacturer uses symbols or numbers to describe an order or the subject of an order, no rights may be derived solely from these. The illustrations may show accessories and items of optional equipment which are not part of standard specification. Colours may differ slightly from those shown in the brochure, owing to the limitations of the printing process. This brochure is distributed internationally and may contain models and services which are not available in certain countries. Information given regarding statutory regulations, legal requirements and taxation applies only to the Federal Republic of Germany at the time of going to press. Please consult your Maybach Personal Liaison Manager for final details and for information about the statutory regulations and legal requirements which apply in other countries.

Maybach is a registered brand of DaimlerChrysler.

© Copyright by DaimlerChrysler AG, Stuttgart (Germany) 2006. All rights reserved.

