

2013 **SUPER DUTY**[®]





AMERICA'S MOST CAPABLE PICKUP IS GOING PLATINUM.

Introducing the all-new 2013 Super Duty® PLATINUM: heavy-duty capability blended with an unprecedented level of sophistication. From its uniquely styled premium leather-trimmed interior with heated steering wheel to its voice-activated SYNC® with MyFord Touch®, PLATINUM may just be the most luxurious Super Duty ever. Best-in-class¹ horsepower, torque and fuel economy² are yours with the gas and diesel Built Ford Tough® powertrains. Best-in-class maximum payload and towing capabilities³ and standard trailer sway control mean Super Duty helps you get the job done when no one else can. No wonder F-Series has been America's best-selling truck for 35 years. Go further in a 2013 Super Duty.

F-350 PLATINUM Crew Cab DRW 4x4. Ruby Red. Available equipment.

¹Class is Full-Size Pickups over 8,500 lbs. GVWR vs. 2012/2013 competitors. ²Based on Ford drive-cycle tests of comparably equipped 2011/2012 Ford and 2011/2012 competitive models. ³When properly equipped. Vehicles throughout this brochure may be shown with optional and aftermarket upfit equipment.

2013 **SUPER DUTY**®
ford.com





OUTWORKS ALL THE REST.

This Super Duty® has endured more torture testing than any previous generation of Ford Truck – including over 10 million cumulative miles on the most tested Power Stroke® diesel engine ever. A world-class team put this truck through a groundbreaking battery of computer simulations, lab and real-world tests, running it for thousands of hours on end in extreme conditions. Scorching heat. Bitter cold. Loaded to the max. Up the steepest grades. All to confirm that it is far more than the sum of its parts.

Super Duty is built to be the best, most capable truck in its class,¹ bringing you the best diesel and gas fuel economy,² plus max. capabilities and lots of other features only Ford can deliver. With the most configurations of any truck in its class, there's a Super Duty just right for you and your work.

Best in Class

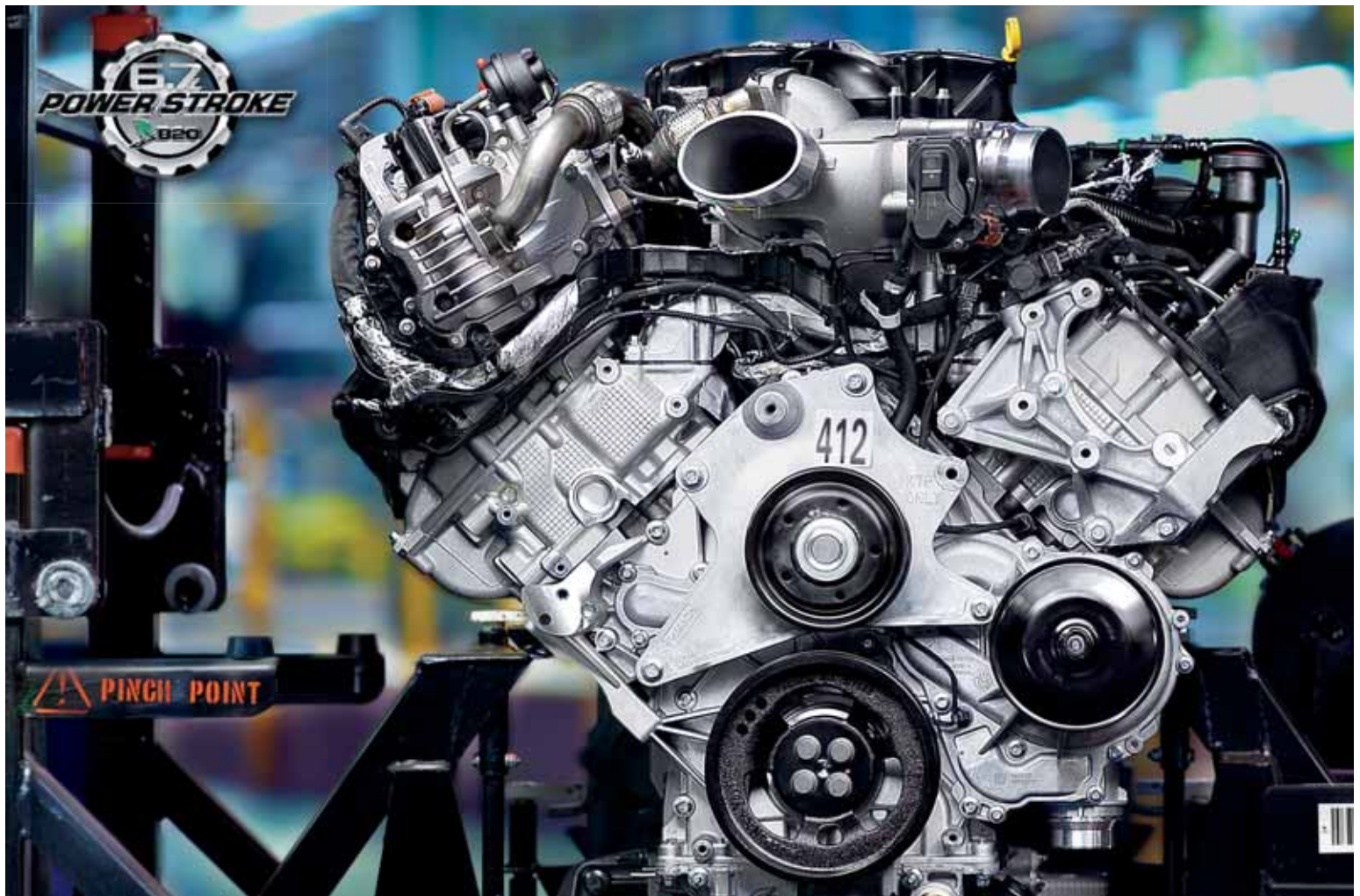
- Max. Horsepower and Torque: Diesel and Gas
- Max. Conventional Towing: 18,500 lbs.³
- Max. 5th-Wheel Towing: 24,700 lbs.³
- Max. GCWR: 33,000 lbs.³
- Max. Payload: 7,260 lbs.³
- Fuel Economy: Diesel and Gas

Class Exclusive

- 5th-Wheel/Gooseneck Trailer Tow Prep Package⁴
- Standard Trailer Sway Control on both SRW and DRW
- Hill Descent Control™⁴
- Tailgate Step⁴
- Cable Lock by Master Lock®⁵
- LCD Productivity Screen⁴
- Standard MyKey®
- Standard Safety Canopy® System
- Live-Drive Power Take-Off (PTO)⁴

¹Class is Full-Size Pickups over 8,500 lbs. GVWR vs. 2012/2013 competitors. ²Based on Ford drive-cycle tests of comparably equipped 2011/2012 Ford and 2011/2012 competitive models. ³When properly equipped. ⁴Available feature. ⁵Ford Licensed Accessory. See your dealer for limited warranty details.





DIESEL BEATS THE COMPETITION 3 TIMES OVER.

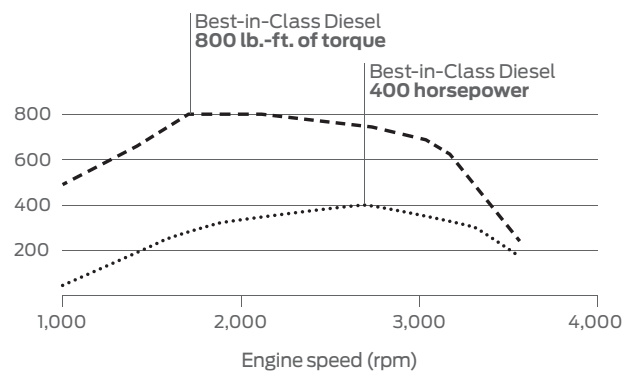
Best-in-class horsepower, torque and fuel economy! The 6.7L Power Stroke® V8 Turbo Diesel gives you all 3. With this advanced engine, Super Duty® delivers 400 hp, 800 lb.-ft. of torque, and up to a 20% improvement in fuel economy over the previous generation, making it the best in its class. Designed, engineered and built by Ford, the 6.7L features many innovative details including aluminum cylinder heads with precision dual water jackets that help minimize weight and maximize cooling. It's also the most tested Power Stroke diesel ever. This B20-capable engine has proven itself in over 10 million miles of cumulative testing under extreme conditions from 120°F scorching heat to -40°F bone-chilling cold. It's Built Ford Tough.®

Cleanest Super Duty diesel ever. This engine generation utilizes industry-proven technology and innovative Ford strategies to meet the latest federal emissions standards – reducing nitrogen oxide (NOx) levels by more than 80% compared to the previous-generation diesel. For your part, just watch for a low diesel exhaust fluid (DEF) alert in the vehicle's message center, then locate the blue DEF fill cap and replenish the DEF supply. The reservoir holds 5 gallons of Ford-approved DEF, which can be purchased from your Ford Dealer or other authorized retailers.

Delivers maximum power quickly. The diesel engine's class-exclusive single-sequential turbocharger features the compact, efficient design of a dual-sided compressor wheel.

Powers upfits anytime the engine's running. Whether you're in motion or at a complete stop, you can power your upfits with the diesel and our class-exclusive live-drive power take-off (PTO) provision.² It keeps the job going with an output gear linked directly to the engine crankshaft.

Standard TorqShift® 6-speed SelectShift Automatic.® This rugged transmission is also designed, engineered and built by the Ford powertrain team. Its torque converter includes low-speed lockup capability (down to 900 rpm), which enables the engine to run efficiently at lower rpm. The high-strength sinter-metal carrier, with its patented Ford rocker one-way clutch, easily handles the extreme low-end torque of the diesel engine, as well as the high speeds of the gas engine. Plus, a high-capacity, high-efficiency fluid filter extends your fluid- and filter-change intervals up to 150,000 miles.



¹Based on Ford drive-cycle tests of comparably equipped 2011/2012 Ford and 2011/2012 competitive models. ²Available feature.



GAS OUTDOES ITS RIVALS TOO.

As the standard engine on F-250/F-350, the free-breathing 6.2L V8 helps Super Duty® achieve up to 15% better fuel economy than the previous generation's base engine, making it the best in its class.² This state-of-the-art Ford built powerhouse also generates best-in-class 385 hp and 405 lb.-ft. of torque.¹ Rest assured, it's ready for work. The Ford powertrain team designed, engineered, built and torture tested it themselves. New for 2013, an extra-heavy-duty alternator³ rated at 200 hardworking amps is standard on all LARIAT, KING RANCH® and PLATINUM models equipped with the 6.2L.

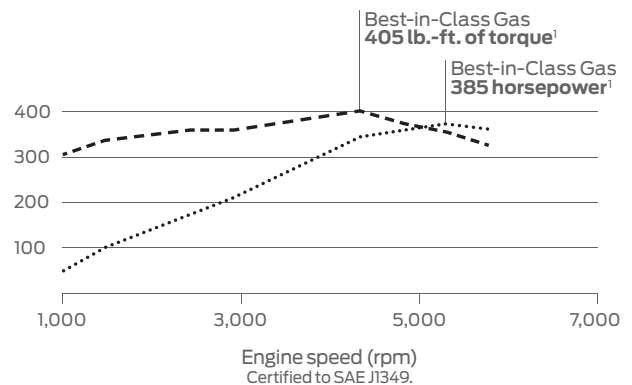
Produces significant low-rpm torque. The stiff SOHC valvetrain with roller-rocker shafts also enables an intake- and exhaust-port layout that optimizes airflow.

Provides extreme durability. The engine block features reliable cast-iron construction with 4-bolt main bearing caps, including 2 additional cross bolts.

Stays cool under pressure. The underside of the cast-aluminum pistons are sprayed by oil from the piston-cooling jets to keep them cool under extreme operating conditions.

Combines with 20" wheels on 4x4s. F-250/F-350 LARIAT, KING RANCH and PLATINUM 4x4 SRW models can be equipped with the 6.2L and 20" wheels.³

Runs on alternative fuels with ease. In addition to their standard E85 capability, 6.2L F-250/F-350 models can be upfit to run on your choice of compressed natural gas (CNG)³ or liquefied petroleum gas (LPG).³ See your dealer for ordering details. Purchasing a Super Duty upfit to run on either of these clean-burning fuels may help you qualify for state incentives related to alternative-fuel use, infrastructure or vehicles. Go to www.afdc.energy.gov/afdc/laws for more details.



F-250 XLT SuperCab. Vermillion Red. Available equipment.

¹405 lb.-ft. of torque and 385 hp, 10,000 lbs. GVWR and under. 397 lb.-ft. of torque and 316 hp, 10,001 lbs. GVWR and over.

²Based on Ford drive-cycle tests of comparably equipped 2011/2012 Ford and 2011/2012 competitive models. ³Available feature.

2013 **SUPER DUTY**®
ford.com





KEEPS YOU CONNECTED.

SYNC. Say the word.

No more searching for your phone. No device on your ear. Once paired, voice-activated Ford SYNC^{®1,2} recognizes your phone and downloads your contacts to support voice calling. It also plays music from your phone, MP3, USB or iPod.[®] Just touch a button on the steering wheel and say things like "Call: Kevin," or "Play playlist: Country." SYNC also offers 911 Assist[®] and helpful Vehicle Health Reports. Available on XL and XLT, SYNC AppLink^{™3} lets smartphone users control Pandora,[®] iHeartRadio,[®] Stitcher Smart Radio[™] and select other apps by voice too. Personalize your SYNC experience at ford.com/sync.

Increase your productivity.

Engaging, easy-to-use menus on the LCD productivity screen¹ (located in the gauge cluster) help you track fuel usage, explore unique truck applications including the class-exclusive off-road display, and even make towing decisions. With class-exclusive MyKey,[®] you can also use this screen to limit your truck's top speed and set smart reminders for different drivers. Steering wheel-mounted controls put it all comfortably within reach.

XL 4x4. Adobe interior. XLT Premium Package. Available equipment.

¹Available feature. ²Driving while distracted can result in loss of vehicle control. Only use mobile phones and other devices, even with voice commands, when it is safe to do so. Not all features are compatible with all phones. ³SYNC AppLink is available on select models and compatible with select smartphone platforms. Commands may vary by phone and AppLink software. Not available with MyFord Touch[®]

2013 SUPER DUTY[®]
ford.com





PERSONALIZES YOUR CONTROL.

For ultimate authority over your phone, entertainment, navigation¹ and climate, the 2013 Super Duty[®] introduces voice-activated SYNC[®] with MyFord Touch^{®1,2}. This system includes an 8" LCD touch screen, the LCD productivity screen in the gauge cluster, a 110-volt power outlet on the instrument panel, a closable media hub, and with an activated SYNC Services^{1,3} account you get business searches, turn-by-turn driving directions, local movie times and more. Operate the system with simple voice commands, by touching the 8" screen, or by using the knobs and buttons just below the screen.

A 12-volt powerpoint inside the media hub conveniently recharges your phone or other electronics while you store them out of sight. Creating a Wi-Fi[®] hotspot for your passengers is as easy as connecting a smartphone or plugging a mobile broadband modem into one of the dual USB ports.⁴ When in Park, you can even connect a game console or camcorder to the MyFord Touch media hub.

The system recognizes literally thousands of voice commands – everything from “Listen to text message” to “5-Day weather forecast.”¹ So you can keep both hands on the wheel and your eyes on the road.

LARIAT 4x4. Charcoal Black interior.

¹Available feature. ²Driving while distracted can result in loss of vehicle control. Only use SYNC/MyFord Touch/other devices, even with voice commands, when it is safe to do so. Some features may be locked out while the vehicle is in gear. Not all features are compatible with all phones. ³SYNC Services varies by trim level and model year and may require a subscription. Traffic alerts and turn-by-turn directions available in select markets. Message and data rates may apply. ⁴Requires in-vehicle USB mobile broadband connection, PAN-supported mobile device or proximity to an outside wireless hotspot.

2013 SUPER DUTY[®]
ford.com



Best-in-Class Max. Towing

18,500 LBS.

Conventional

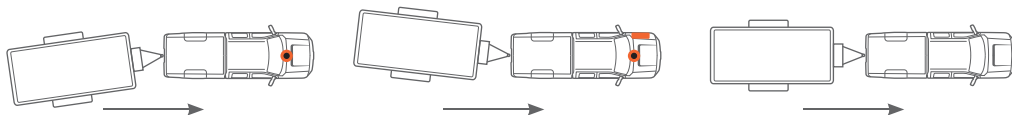
24,700 LBS.

5th-Wheel



MASTERS THE HEAVIEST LOADS.

Super Duty® reigns supreme with the best maximum conventional and 5th-wheel towing capabilities in its class,¹ plus exclusive features and available systems like trailer sway control to help give you ultimate towing confidence. When you're negotiating an incline in Drive or in Reverse, standard hill start assist helps prevent the truck from rolling downhill by momentarily maintaining brake pressure until the engine delivers enough torque to move it uphill. With the diesel powertrain, integrated engine-exhaust braking helps improve your grade descent control with less wear and tear on the brakes and transmission. It's the kind of functionality you'll really appreciate when you're hauling a heavy load or towing a trailer, and especially when you're descending steep grades.



Helps you keep it in line. Our standard trailer sway control² uses a yaw motion sensor to monitor the motions of your truck and detect trailer sway. It can automatically react when sway is detected by selectively braking to help you maintain control of both the truck and the trailer. Super Duty is the only truck in its class with this system standard on both SRW and DRW models.

F-350 XLT Crew Cab DRW 4x4. Ingot Silver. F-450 LARIAT Crew Cab DRW 4x4. Tuxedo Black. Available equipment.

¹When properly equipped. ²Remember that even advanced technology cannot overcome the laws of physics. It's always possible to lose control of a vehicle due to inappropriate driver input for the conditions.

2013 **SUPER DUTY**[®]
ford.com





HITS THE GROUND TOWING.

Your new Super Duty® can be ready for heavy-duty towing the moment you take delivery. Our factory-installed 5th-Wheel/Gooseneck Trailer Tow Prep Package¹ works with factory-installed Ford Custom Accessory 5th-Wheel and Gooseneck Hitch Kits² by Reese® (Gooseneck shown) to get you towing in no time. Plus, our equipment gives you the strength of an under-the-bed-frame crossmember (shown) and the utility of a flat cargo bed floor. PowerScope® trailer tow mirrors¹ (shown) and our SelectShift Automatic® transmission with its progressive range select and full manual modes are just a few of the invaluable towing tools you'll only find on Super Duty.



Prompts to check your setup. The LCD productivity screen¹ offers you a pre-towing checklist. It can also store settings and information on different trailers that you tow.



Helps you line it up. With the rear view camera¹, you just shift into Reverse and a full-color image of what's behind the truck is displayed in your rearview mirror or on the 8" MyFord Touch[®] screen (shown).



Makes connecting easy. Plug in your trailer wiring while standing upright with our class-exclusive in-bed 7-pin connector, part of the 5th-Wheel/Gooseneck Trailer Tow Prep Package¹.

F-450 KING RANCH® Crew Cab. KING RANCH Chrome Package. Ruby Red/Pale Adobe two-tone. Available equipment.

¹Available feature. ²5th-Wheel Hitch available with 8' box only. See your Ford Dealer for complete details.

2013 **SUPER DUTY**®
ford.com





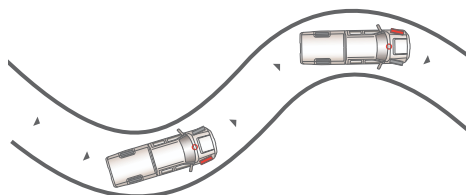
Best-in-Class Max. Payload
7,260 LBS.

OUT-HAULS THEM ALL.

Super Duty® fully supports your work ethic with the best maximum payload capability in the class.¹ Plus, it offers all the right tools to make loading, accessing and managing your payload as easy as possible. A torsion spring in the standard tailgate assist feature minimizes the effort required to open and close the tailgate. With our class-exclusive tailgate step² (shown), you just open the tailgate, drop down the skid-resistant step and grab the flip-up bar for easy access to the bed. Plus, our AdvanceTrac with class-exclusive RSC (Roll Stability Control)³ offers peace of mind you won't find with any other truck in the class. Smart features make a big difference when you're working hard all day, every day, just like Super Duty.



Shields your investment. Go for the Tough Bed® factory-installed spray-in bedliner,² and an industrial-grade synthetic lining will be applied with a precision high-pressure automated sprayer to help ensure a smooth, even and durable coat.



Masters challenging moments. Our AdvanceTrac® with class-exclusive RSC® (Roll Stability Control™) is the only electronic stability control system in the class that utilizes 2 gyroscopic sensors to help keep all 4 wheels firmly planted³. It automatically helps avoid skidding and fishtailing, and is particularly beneficial in inclement weather.

F-250 XL Regular Cab 4x2. Oxford White. Available equipment.

¹When properly equipped. F-350 DRW Regular Cab 4x2. ²Available feature. ³SRW models only. Engine-only traction control on DRW models. Remember that even advanced technology cannot overcome the laws of physics. It's always possible to lose control of a vehicle due to inappropriate driver input for the conditions.

2013 **SUPER DUTY**®
 ford.com





CONQUERS THE TOUGHEST TERRAIN.

Soon you'll be conquering it too. Our class-exclusive Hill Descent Control,^{TM1} included in the FX4 Off-Road Package, helps Super Duty® increase your off-road confidence by maintaining the truck's speed on steep declines, so you can concentrate on maneuvering. Transfer case and fuel tank skid plates, Rancho® shocks, and box-side decals are also included in the FX4 Off-Road Package. A durable coil-spring front suspension is part of the heavy-duty, independent Twin-I-Beam setup on 4x2s and a rugged twin-coil monobeam setup on 4x4s. XL and XLT 4x4s feature a solid front axle and manual locking hubs for excellent articulation and reliability. LARIAT, KING RANCH® and PLATINUM 4x4s include electronic shift-on-the-fly operation, giving you the ability to change your drive setting with the convenient turn of a dial on the instrument panel. To help maximize gripping power, our electronic-locking rear differential² uses a true mechanical dog-clutch mechanism to lock the rear axle shafts together so they turn at the same speed.



Tracks the action. You can monitor pitch angle, bank angle and wheel direction with our class-exclusive off-road display in the LCD productivity screen.²



Stops more confidently – new larger brakes. The 2013 Super Duty features a 16% increase in the rotor swept area up front and a 15% increase in the rear, helping to provide a more confident brake feel than on previous models.





PLATINUM CELEBRATES YOUR SUCCESS.

Inside and out, the new Super Duty® PLATINUM clearly conveys your hardworking ethics and platinum level of success. Premium leather-trimmed seats in your choice of Pecan or Charcoal Black feature a tuxedo stripe design and exclusive "PLATINUM" embroidery. Genuine walnut swirl wood accents the heated steering wheel. Voice-activated SYNC® with MyFord Touch®, an Audio System from Sony®, a Navigation System with HD Radio™ Technology, PowerScope® trailer tow mirrors and a rear view camera are all standard equipment. Outside, unique 20" cast-aluminum wheels¹ join the mesh-detailed grille, raised chrome box-side lettering and satin-chrome tailgate appliqué as PLATINUM marks of distinction.



PLATINUM Crew Cab 4x4. Pecan leather trim. Available equipment.

¹SRW models only.

2013 **SUPER DUTY**®
ford.com





LARIAT ADVANCES YOUR POSITION.

Super Duty® LARIAT gets technologically enhanced for 2013 with a new instrument panel featuring voice-activated SYNC® with MyFord Touch®. The system includes an 8" LCD touch screen, the LCD productivity screen in the gauge cluster, a 110-volt power outlet on the instrument panel, a closable media hub, and SYNC Services.¹ A rear view camera, which displays its view on the full-color 8" screen, is also standard on LARIAT this year. Dual-zone electronic automatic temperature control lets you maintain your climate-control independence from your front passenger. Premium leather-trimmed, 10-way power front bucket seats and power-adjustable pedals help drivers of all sizes feel right at home. With its proven underpinnings and up to a best-in-class 24,700-lb.² towing capacity, it's got all the toughness you expect in a Super Duty.



F-450 LARIAT Crew Cab DRW 4x4. Chrome Package. White Platinum Tri-coat/Pale Adobe two-tone. Available equipment.

¹SYNC Services varies by trim level and model year and may require a subscription. Traffic alerts and turn-by-turn directions available in select markets. Message and data rates may apply. ²When properly equipped.

2013 **SUPER DUTY**®
ford.com





XLT STANDS OUT ON THE JOB.

Super Duty® XLT definitely commands attention with its bold chrome grille and chrome bumpers. For even more shine, add the XLT Premium Package¹ (shown) with its numerous chrome accents including 6" angular cab steps and 18" chrome-clad aluminum wheels.² New for 2013, XLT standards now include the voice-activated Ford SYNC® in-vehicle connectivity system, and power windows with one-touch-up/-down for the driver and front passenger. Every XLT also gets manually telescoping trailer tow mirrors with integrated spotters and heated glass. Inside, you'll find a durable cloth-trimmed 40/20/40 split front seat with lockable under-seat storage in the center section for added versatility.



F-250 XLT SuperCab 4x4. XLT Premium Package. Tuxedo Black. Available equipment.

¹Available feature. ²SRW models only.

2013 **SUPER DUTY**®
ford.com





PROVEN WORKHORSES. LEGENDARY BLOODLINE.

It's an indisputable fact. There are more F-Series trucks on the road with 250,000+ miles than any other brand!¹ So you can rest assured every Super Duty[®] is built on a solid foundation – one engineered to get the job done, even under the most challenging conditions.

F-450

BEST MAXIMUM CAPABILITIES²

5th-Wheel Towing: 24,700 lbs.

Conventional Towing: 18,500 lbs.

Payload: 5,880 lbs.

GCWR: 33,000 lbs.

GVWR: 14,000 lbs.

Front GAWR: 6,000 lbs.

EQUIPMENT CONFIGURATIONS

Engine: 6.7L Power Stroke[®] V8 Only

Drivelines: 4x4 ■ Dual Rear Wheel Only

Body: Crew Cab ■ 8' Box Only

Trim Series: XL, XLT, LARIAT, KING RANCH[®] PLATINUM

F-350

BEST MAXIMUM CAPABILITIES²

5th-Wheel Towing: 23,200 lbs.

Conventional Towing: 18,500 lbs.

Payload: 7,260 lbs.

GCWR: 30,500 lbs.

GVWR: 14,000 lbs.

Front GAWR: 5,250 lbs. (4x2); 6,000 lbs. (4x4)

EQUIPMENT CONFIGURATIONS

Engines: 6.2L Gas V8, 6.7L Power Stroke V8

Drivelines: 4x2 or 4x4 ■ Single Rear Wheel or Dual Rear Wheel

Bodies: Regular Cab, SuperCab, Crew Cab ■ 6¾' or 8' Box

Trim Series: XL, XLT, LARIAT, KING RANCH, PLATINUM

F-250

BEST MAXIMUM CAPABILITIES²

5th-Wheel Towing: 16,800 lbs.

Conventional Towing: 14,000 lbs.

Payload: 4,240 lbs.

GCWR: 23,500 lbs.

GVWR: 10,000 lbs.

Front GAWR: 5,250 lbs. (4x2); 6,000 lbs. (4x4)

EQUIPMENT CONFIGURATIONS

Engines: 6.2L Gas V8, 6.7L Power Stroke V8

Drivelines: 4x2 or 4x4 ■ Single Rear Wheel Only

Bodies: Regular Cab, SuperCab, Crew Cab ■ 6¾' or 8' Box

Trim Series: XL, XLT, LARIAT, KING RANCH, PLATINUM

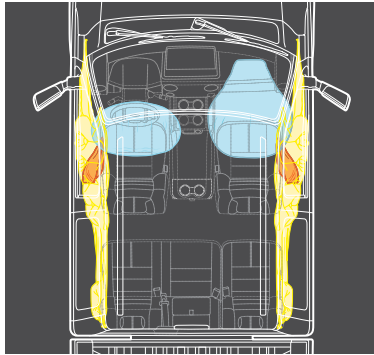
F-450 LARIAT Crew Cab 4x4. White Platinum Tri-coat/Pale Adobe two-tone. F-350 XLT SuperCab 4x4. Tuxedo Black. F-250 XL Regular Cab 4x2. Ingot Silver. Available or aftermarket equipment shown on each.

¹Based on vehicle registration data and latest odometer readings available to R. L. Polk & Co. for 1992 and newer model year full-size pickups still on the road in the U.S. as of 1/1/12. ²When properly equipped.

2013 **SUPER DUTY**[®]
ford.com



LOTS OF WAYS TO MAKE IT YOURS.



Take comfort in serious safety standards like the driver and right-front-passenger front airbags, front-seat side airbags, and our Safety Canopy[®] System with its rollover sensor and side-curtain airbags. Add options to help power your electronics, extend your cargo-carrying capabilities, stow your valuables securely out of sight and much more. Build the Super Duty[®] you want, just the way you want it.

6 airbags standard

Mini-console with front bucket seats¹

Flow-through center console¹ with 110-volt power outlet and two 12-volt powerpoints

Stowable bed extender¹

LARIAT Crew Cab with lockable rear under-seat storage¹ and flow-through center console¹

¹Available feature.



F-250 XL Crew Cab in Oxford White customized with 5" black step bars, fog lamps, smoked hood and side window deflectors, flat splash guards, commercial-grade tool/cargo box by Delta,^{®1} and Ford Commercial Graphics by Original Wraps,[™] Inc.¹

5th-wheel hitch kits (18K, 25K)

All-weather floor mats

Remote start systems

Wheel-well liners

Bed Products

Bed extender and tailgate liners

Bed mats and sport liners¹

Retractable stake pocket tie-downs¹

Tonneau covers¹

Cable lock¹

Exterior

Exhaust tip

Molded splash guards

Step bars

Sportz[®] tents¹

Trailer towing accessories

Wheel lock kit

Stainless steel wheel covers¹

Electronics

Keyless entry keypad

Remote start and vehicle security systems

Speed control

Warning sensor systems¹

DVD rear-seat entertainment systems¹

Interior

Cargo organizers and protectors

Ash cup/coin holder

Leather-trimmed interior seating¹

Protective seat covers¹

Carpeted floor mats

¹Ford Licensed Accessory.

SUPER DUTY® Standard Features

Mechanical

97,500-mile tune-up interval ¹ (gas engine)
Battery saver
Conventional spare tire/wheel/jack with underframe carrier (crank-down type)
Engine-only traction control (EOTC) (DRW only)
Fail-Safe Engine Cooling System (gas engine)
Fuel tank – 26-gallon capacity (F-250/F-350 137" and 142" WB with diesel engine)
Fuel tank – 35-gallon capacity (gas engine)
Fuel tank – 37.5-gallon capacity (F-250/F-350 158" and 172" WB with diesel engine, and F-450)
Power steering
Stabilizer bar – Front
Stabilizer bar – Rear (DRW only)
Stainless steel exhaust system (major components)
Stationary elevated idle control (SEIC) ²
Steering damper
Tire Pressure Monitoring System (SRW only; excludes spare)
Trailer hitch receiver – 12.5K (2") Built Ford Tough® (SRW with gas engine; SRW with diesel engine and 137" and 142" WB)
Trailer hitch receiver – 14K (2.5") Built Ford Tough (SRW with diesel engine and 156," 158" and 172" WB)
Trailer hitch receiver – 15K (2.5") Built Ford Tough (DRW with 156" and 158" WB; DRW with gas engine and 172" WB)
Trailer hitch receiver – 18.5K (2.5") Built Ford Tough (F-350 DRW with diesel engine and 172" WB; F-450)
Trailer hitch receiver – 2" sleeve reducer (vehicles with 2.5" receiver)

Interior

Assist and ride handles
Coat hooks – 1 (Regular Cab); 2 in rear of cab (SuperCab and Crew Cab)
Dome light (front and rear with Crew Cab)
Overhead console with garage door opener storage and sunglasses storage (SuperCab and Crew Cab)
Powerpoints – 12-volt, 2 on instrument panel
Windows – Flip-open rear quarter (SuperCab)

Exterior

7/4-pin trailer tow connector and trailer brake wiring kit (in-cab; no controller)
Bumpers – Front and rear step
Cargo box – Cargo tie-down hooks (4 in 6¾" box; 6 in 8' box)
Cargo box – Integrated lamp with center high-mounted stop lamp
Cargo box – Partitionable and stackable with stake pockets
Dual-beam jewel-effect headlamps
Intelligent 3-blink turn signal
Roof clearance lamps (DRW)
Underhood service lamp
Windshield wipers – Intermittent

Safety & Security

AdvanceTrac® with RSC® (Roll Stability Control™) (SRW only)
Airbags ³ – Driver and right-front-passenger front
Airbags ³ – Front-seat side
Airbags ³ – Safety Canopy® System with roll-fold side-curtain airbags
Belt-Minder® front safety belt reminder
Brake/shift interlock
Brakes – 4-wheel power disc with Anti-Lock Brake System (ABS)
Child-safety-seat top tether anchors (Regular Cab front passenger and all rear-seat positions)
Fuel pump inertia shutoff switch
Headlamps-on, key-in-ignition and door ajar alert chimes
Passenger airbag deactivation switch (Regular Cab, SuperCab)
Safety belts – Energy-management retractors at front-outboard positions
Safety belts – Height-adjustable at front-outboard positions
SecuriLock® Passive Anti-Theft System
Side-intrusion door beams
SOS Post-Crash Alert System™
Spare tire/wheel lock



XL

Includes all standard features, plus:

Mechanical

6.2L SOHC 2-valve Gas V8 Flex Fuel E85-capable engine (n/a on F-450)
6.7L Power Stroke® V8 Turbo Diesel B20-capable engine (standard on F-450)
TorqShift® heavy-duty 6-speed SelectShift Automatic® transmission
Alternator – 157-amp heavy-duty
Hill start assist
Integrated trailer brake controller (DRW)
Manual 4-Wheel-Drive System with manual locking hubs (4x4 models only)
Quick-release tailgate with tailgate assist and lock
Trailer sway control
17" argent-painted steel wheels (F-250/F-350)
17" polished forged-aluminum wheels (F-450)
LT245/75R17 all-season BSW tires

Seating

40/20/40 split front seat with armrest, cupholders and storage
60/40 split flip-up rear seat (SuperCab only)
60/40 split flip-up/fold-down rear bench seat with outboard and center head restraints (Crew Cab only)
HD vinyl seats
Lumbar support for driver's seat

Interior

AM/FM stereo with digital clock and 2 speakers
Air conditioning
Climate controls – Manual
Door locks – Manual
Flooring – Black vinyl
Message center – Multifunction plus trip computer includes odometer, trip odometer, engine oil monitor, engine-hour meter, engine-idle meter (gas engine only), distance to empty, average fuel economy, warning messages, system check, language selection and Ice Blue® Lighting
Mirror – Manual day/night rearview
MyKey®
Steering column – Manual tilt/telescoping
Steering wheel – Black urethane with 3-button message center controls
Visors with passenger mirror
Window – Rear, fixed-glass
Windows – Manual

Exterior

Bumpers – Black-painted with grained top cover
Cab steps – 6" angular black molded (DRW only)
Cargo box – Black box top and tailgate moldings
Door handles – Black
Glass – Solar-tinted
Grille – Black
Mirrors – Manually telescoping trailer tow with 2-way fold and manual glass
Tow hooks – Black, 2 in front



XLT

Includes all XL features, plus:

Mechanical

Integrated trailer brake controller (SRW)
17" 6-spoke cast-aluminum wheels (SRW)

Seating

4-way adjustable driver and right-front-passenger head restraints
40/20/40 split front seat with center under-seat lockable storage with 12-volt powerpoint and center armrest with cupholders and storage
60/40 split flip-up/fold-down rear bench seat with bag hooks, dual integrated cupholders and tray, outboard head restraints, center head restraint, and lockable under-seat partitioned storage with 12-volt powerpoint (Crew Cab only)
Cloth seats

Interior

AM/FM stereo/single-CD player with MP3 capability, digital clock, 4 speakers and auxiliary audio input jack
Ford SYNC® voice-activated, in-vehicle connectivity system with SYNC Applink™
Accessory delay for power features
Cruise control
Door locks – Power
Flooring – Color-coordinated carpet
Flooring – Color-coordinated carpeted floor mats
Steering wheel – Black urethane with secondary audio, cruise and 3-button message center controls
Visors with covered driver and passenger mirrors
Windows – Power with front one-touch-down feature

Exterior

Anti-theft perimeter alarm
Bumpers – Chrome with grained top cover
Glass – Privacy (rear doors and rear window)
Grille – Chrome
Mirrors – Manually telescoping trailer tow with 2-way fold, power/heated glass, heated manual spotter mirrors, and integrated clearance lamps and turn signal indicators
Remote Keyless Entry System with 2 integrated keyhead transmitter remotes

¹Under normal driving conditions with routine fluid and filter changes. ²Final-stage manufacturer must supply control switches. ³Always wear your safety belt and follow airbag warning label instructions.

Comparisons based on 2012/2013 competitive models (class is Full-Size Pickups over 8,500 lbs. GVWR), publicly available information and Ford certification data at time of release. Some features discussed may be optional. Vehicles throughout this PDF are shown with optional and aftermarket equipment. Features shown may be offered only in combination with other options or subject to additional ordering requirements or limitations. Dimensions and capacity ratings shown may vary due to optional features and/or production variability. Following release of the PDF, certain changes in standard equipment, options and the like, or product delays may have occurred which would not be included in these pages. Your Ford Dealer is the best source for up-to-date information. Ford Division reserves the right to change product specifications at any time without incurring obligations. Body manufacturers are responsible for compliance certification of the completed vehicle. The Ford New Vehicle Limited Warranty and any government certification made by Ford shall cover only the vehicle as manufactured by Ford and shall not extend to any addition, modification or change of or to the vehicle by the Ford Authorized Pool Account.

2013 SUPER DUTY®
ford.com



SUPER DUTY® Standard Features



LARIAT

Includes all XLT features, plus:

Mechanical

Alternator – 200-amp extra-heavy-duty
Electronic shift-on-the-fly (ESOF) 4-Wheel-Drive System with auto/manual locking hubs (4x4 models only)
17" polished forged-aluminum wheels (F-350 DRW)
18" bright-machined cast-aluminum wheels (SRW)
LT275/65R18 all-season BSW tires (SRW)

Seating

40/console/40 front bucket seats and flow-through center console with lockable storage, two 12-volt powerpoints and a 110-volt power outlet
10-way power driver and front-passenger seats
Leather-trimmed seats

Interior

Premium Sound System includes AM/FM stereo/single-CD player with MP3 capability, digital clock and 8 speakers with subwoofer (SuperCab only)
Premium Audio System from Sony® includes AM/FM stereo/single-CD player with MP3 capability, digital clock, and 8 speakers with subwoofer (Crew Cab only)
SYNC® with MyFord Touch® includes an 8" color LCD touch screen in center stack; dash-top closable storage with media hub (2 USB ports, SD card reader, audio/video input jacks, and 12-volt powerpoint); and SYNC Services
SiriusXM Satellite Radio with 6-month trial subscription
Dual-zone electronic automatic temperature control
Message center – Driver-configurable enhanced information center with LCD productivity screen includes gauge setup, compass, trip computer, fuel economy and towing/off-road applications, SelectShift controls, Ice Blue® Lighting, halo lighting and daytime illumination
Mirror – Auto-dimming rearview
Power-adjustable pedals
Power outlet – 110-volt on instrument panel
Rear view camera
Steering wheel – Color-coordinated leather-wrapped with secondary audio, cruise and 5-button message center controls
Visors with illuminated driver and passenger mirrors
Window – Rear, power-sliding with privacy glass and defroster
Woodgrain-style instrument panel accents

Exterior

Autolamp automatic on/off headlamps with rainlamp feature
Cab steps – 5" chrome tubular (DRW)
Door handles – Body-color
Fog lamps
Mirrors – PowerScope® power-telescoping/-folding trailer tow with power/heated glass, heated manual spotter mirrors, and integrated clearance lamps and turn signal indicators
Reverse Sensing System
SecuriCode™ keyless entry keypad



KING RANCH®

Includes all LARIAT features, plus:

Seating

Chaparral leather-trimmed seats with "KING RANCH" seat back logo
Easy entry/exit driver's seat memory feature
Heated/cooled driver and front-passenger seats

Interior

Navigation System with HD Radio™ Technology
Flooring – Color-coordinated carpeted floor mats with King Ranch logo
Memory Group includes memory feature for power trailer tow mirrors, 10-way power driver's seat, and adjustable pedals
Remote Start System
Steering wheel – Chaparral leather-wrapped with secondary audio and 5-button message center controls
Unique woodgrain-style instrument panel accents
Universal garage door opener

Exterior

Accent-color wheel-lip moldings (SRW)
Body-color bodyside moldings (SRW)
Bumpers – Accent-color monochromatic
Cab steps – Illuminated accent-color platform
Cargo box – Accent-color box top and tailgate moldings
Grille – Body-color surround with chrome insert
Mirrors – PowerScope power-telescoping/-folding trailer tow with memory, power/heated glass, heated manual spotter mirrors, integrated clearance lamps and turn signal indicators with body-color mirror caps
Two-tone lower-accent paint



PLATINUM

Includes all LARIAT features, plus:

Mechanical

20" 7-spoke cast-aluminum wheels with black-painted pockets (SRW)
LT275/65R20 all-terrain OWL tires (SRW)

Seating

Premium leather-trimmed seats with tuxedo stripe design and "PLATINUM" seat back embroidery
Easy entry/exit driver's seat memory feature
Heated/cooled driver and front-passenger seats

Interior

Navigation System with HD Radio Technology
Memory Group includes memory feature for power trailer tow mirrors, 10-way power driver's seat, and adjustable pedals
Remote Start System
Steering wheel – Heated, premium leather-wrapped with genuine walnut swirl wood accent, and secondary audio, cruise and 5-button message center controls
Unique woodgrain-style instrument panel accents
Universal garage door opener

Exterior

Body-color bodyside moldings (SRW)
Bumpers – Body-color
Cab steps – 6" chrome angular
Cargo box – Chrome cargo tie-down hooks
Chrome exhaust tip
Door handles – Chrome with body-color bezels
Grille – Satin-chrome surround with bright chrome bars
Mirrors – PowerScope power-telescoping/-folding trailer tow with memory, power/heated glass, heated manual spotter mirrors, integrated clearance lamps and turn signal indicators with chrome mirror caps
Raised chrome "PLATINUM" box-side lettering
Satin-chrome tailgate appliqué
Tailgate step
Tow hooks – Chrome, 2 in front

Master Lock is a registered trademark of Master Lock Company LLC. King Ranch is a registered trademark of King Ranch, Inc. Microsoft is a registered trademark of Microsoft Corporation. iPod is a registered trademark of Apple Inc. All rights reserved. PANDORA, the PANDORA logo, and the Pandora trade dress are trademarks or registered trademarks of Pandora Media, Inc. Used with permission. iHeartRadio is a registered trademark of Clear Channel Broadcasting, Inc. Stitcher Smart Radio is a registered trademark of Stitcher, Inc. Wi-Fi® is a registered trademark of the Wi-Fi Alliance®. SiriusXM Satellite Radio, Traffic and Travel Link subscriptions sold separately or as a package after trial expires. SiriusXM Traffic and Travel Link service available in select markets. See SiriusXM Customer Agreement for complete terms at www.siriusxm.com. Sirius satellite service available in the 48 contiguous United States, DC, and PR. Sirius, XM and all related marks and logos are trademarks of Sirius XM Radio Inc. Rancho is a registered trademark of Tenneco Automotive Operating Company Inc. Sony is a registered trademark of the Sony Corporation. HD Radio is a proprietary trademark of iBiquity Digital Corp.

2013 SUPER DUTY®
ford.com





XL

Mechanical

6.7L Power Stroke® V8 Turbo Diesel B20-capable engine (standard on F-450)

Electronic shift-on-the-fly (ESOF) 4-Wheel-Drive System with auto/manual locking hubs (4x4 models only)

5th-wheel hitch kit (requires 8' box; includes 18K hitch on SRW or 25K hitch on DRW)¹

Gooseneck hitch kit¹

Alternator – Single, 200-amp extra-heavy-duty

Alternators – Dual, 357-amp total (diesel engine only)

Engine block heater (standard in 15 cold-weather states)

Integrated trailer brake controller (standard on F-350 DRW/F-450)

Operator-commanded exhaust filter regeneration (diesel engine only)

Power take-off (PTO) provision allows transmission-mounted live-drive and stationary modes (diesel engine only)

Rear axle – Electronic-locking (F-250/F-350 SRW only)

Rear axle – Limited-slip (F-350 DRW only; standard on F-450)

17" 6-spoke cast-aluminum wheels – 4 (F-250/F-350 SRW)

17" polished forged-aluminum wheels – 4 (F-350 DRW)

18" argent-painted steel wheels – 4 (F-350 SRW)

Stainless steel wheel covers (requires 17" argent-painted steel DRW wheels)²

LT245/75R17 all-terrain BSW tires – 5

LT265/70R17 all-terrain OWL tires – 4 (F-250/F-350 SRW)

LT275/65R18 all-season BSW tires – 5 (F-350 SRW)

LT275/70R18 all-terrain BSW tires – 4 (F-350 SRW 4x4)

Seating

40/20/40 split cloth front seat with armrest, cupholders and storage

40/mini-console/40 front bucket seats (HD vinyl or cloth)

Interior

AM/FM stereo/single-CD player with MP3 capability, digital clock, 4 speakers and auxiliary audio input jack (F-450 only)

Ford SYNC® voice-activated, in-vehicle connectivity system with SYNC AppLink™ (requires XL Value Package and steering wheel-mounted audio controls)

Rapid-heat supplemental cab heater (requires diesel engine and alternator upgrade)

Remote Start System (requires Power Equipment Group)

Steering wheel-mounted audio controls (requires SYNC)

Upfitter switches located on instrument panel (4)

Exterior

Bed mat (restrictions apply)

Bedliner – Plastic drop-in

Bedliner – Tough Bed® spray-in includes tailgate guard and black bed bolts

Cab steps – 6" angular black molded (standard on DRW)

Cable Lock by Master Lock®²

Crew Chief™ powered by Telogis®² – Fleet tracking system (includes 1 year of Crew Chief service)

Exterior backup alarm²

Pickup box delete (F-250/F-350 only; requires 8' box; n/a with 20" wheels or FX4 Off-Road Package)

Roof clearance lamps (standard on DRW)

Skid plates – Transfer case and fuel tank (4x4 only)

Soft roll-up tonneau cover²

Splash guards (front and rear on SRW; rear only on DRW)

Tailgate step includes step, tailgate assist and grab bar

Wheel-well liners (SRW only)

Packages

XL Value Package includes AM/FM stereo/single-CD player with MP3 capability, digital clock, 4 speakers, cruise control, 17" argent-painted steel wheels with bright center caps (SRW only), and chrome bumpers

5th-Wheel/Gooseneck Trailer Tow Prep Package includes 1 under-bed-frame crossmember, 5 pickup bed 5th-wheel/gooseneck attachment points and close-out plugs, and an integrated 7-pin connector on the driver's side pickup bed wall

9,900-lb. GVWR Package (F-250)

10,000-lb. GVWR Package (F-350 SRW)

Camper Package includes front springs upgrade (unless maximum springs have been computer-selected as included equipment), rear stabilizer bar (SRW), slide-in-camper certification and auxiliary rear springs on F-250 (restrictions apply)

CNG/LPG Gaseous Engine Prep Package includes hardened engine intake valves and valve seats and bi-fuel manifold (F-250/F-350 with gas engine only)

FX4 Off-Road Package includes transfer case and fuel tank skid plates, Hill Descent Control™ (SRW only), Rancho® shocks and FX4 Off-Road box decals (restrictions apply)

Heavy-Service Front Suspension Package includes front springs upgrade (unless maximum springs have been computer-selected as included equipment; restrictions apply)

Power Equipment Group includes power door locks and front windows (plus rear on Crew Cab) with front one-touch-down feature; manually telescoping trailer tow mirrors with 2-way fold, power/heated glass, heated manual spotter mirrors, and integrated clearance lamps and turn signal indicators; accessory delay; Remote Keyless Entry System with 2 integrated keyhead transmitter remotes; and anti-theft perimeter alarm

Snow Plow Prep Package includes computer-selected springs for snow plow application and extra-heavy-duty alternator with diesel engine only (4x4 only; restrictions apply)

¹Requires 5th-Wheel/Gooseneck Trailer Tow Prep Package. See your dealer for details.
²Ford Licensed Accessory. See your dealer for limited warranty details.





XLT

Mechanical

- 6.7L Power Stroke® V8 Turbo Diesel B20-capable engine (standard on F-450)
- Electronic shift-on-the-fly (ESOF) 4-Wheel-Drive System with auto/manual locking hubs (4x4 models only)
- 5th-wheel hitch kit (requires 8' box; includes 18K hitch on SRW or 25K hitch on DRW)¹
- Gooseneck hitch kit¹
- Alternator – Single, 200-amp extra-heavy-duty
- Alternators – Dual, 357-amp total (diesel engine only)
- Engine block heater (standard in 15 cold-weather states)
- Operator-commanded exhaust filter regeneration (diesel engine only)
- Power take-off (PTO) provision allows transmission-mounted live-drive and stationary modes (diesel engine only)
- Rear axle – Electronic-locking (F-250/F-350 SRW only)
- Rear axle – Limited-slip (F-350 DRW; standard on F-450)
- 17" polished forged-aluminum wheels – 4 (F-350 DRW)
- 18" cast-aluminum wheels – 4 (F-250/F-350 SRW)
- Stainless steel wheel covers (requires 17" argent-painted steel DRW wheels)²
- LT245/75R17 all-terrain BSW tires – 5 (F-350 DRW/F-450)
- LT245/75R17 all-terrain OWL tires – 4 (F-350 DRW/F-450)
- LT265/70R17 all-terrain OWL tires – 4 (F-250/F-350 SRW)
- LT275/65R18 all-season BSW tires – 5 (F-250/F-350 SRW)
- LT275/70R18 all-terrain BSW tires – 4 (F-250/F-350 SRW 4x4)
- LT275/70R18 all-terrain OWL tires – 4 (F-250/F-350 SRW 4x4)

Seating

- 40/console/40 front bucket seats with 6-way power driver's seat and flow-through center console with lockable storage, two 12-volt powerpoints and a 110-volt power outlet (SuperCab and Crew Cab only)

Interior

- SiriusXM Satellite Radio with 6-month trial subscription
- Flooring – Black all-weather floor mats (deletes carpeted floor mats)
- Rapid-heat supplemental cab heater (requires diesel engine and alternator upgrade)
- Rear view camera (requires XLT Interior Package or XLT Premium Package)
- Remote Start System
- Upfitter switches located on instrument panel (4)
- Window – Rear, manual-sliding with privacy glass (Regular Cab only)
- Window – Rear, power-sliding with privacy glass and defrost (SuperCab and Crew Cab only)

Exterior

- Bed mat (restrictions apply)
- Bedliner – Plastic drop-in
- Bedliner – Tough Bed® spray-in includes tailgate guard and black bed bolts
- Body-color bodyside moldings (SRW SuperCab and Crew Cab only)
- Cab steps – 6" angular black molded (standard on DRW)
- Cab steps – 5" chrome tubular (SuperCab and Crew Cab only)
- Cable Lock by Master Lock^{®2}
- Crew Chief™ powered by Telogis^{®2} – Fleet tracking system (includes 1 year of Crew Chief service)
- Exterior backup alarm²
- Mirrors – PowerScope® power-telescoping/-folding trailer tow with power/heated glass, heated manual spotter mirrors, and integrated clearance lamps and turn signal indicators
- Pickup box delete (F-250/F-350 only; requires 8' box; n/a with 20" wheels or FX4 Off-Road Package)
- Reverse Sensing System (n/a with pickup box delete)
- Roof clearance lamps (standard on DRW)
- Skid plates – Transfer case and fuel tank (4x4 only)
- Soft roll-up tonneau cover²
- Splash guards (front and rear on SRW; rear only on DRW)
- Stowable bed extender (F-250/F-350 SRW only)
- Tailgate step includes step, tailgate assist and grab bar
- Wheel-well liners (SRW only)

Packages

- XLT Interior Package** includes 6-way power driver's seat, power-adjustable pedals, autolamp/rainlamp, autolock/unlock and SecuriCode™ keyless entry keypad
- XLT Value Package** includes 6-way power driver's seat, power-adjustable pedals, autolamp/rainlamp, autolock/unlock, SecuriCode keyless entry keypad, Reverse Sensing System and fog lamps
- XLT Premium Package**³ includes XLT Interior Package, chrome exhaust tip, chrome tow hooks, unique chrome mirror caps, chrome cargo tie-down hooks, 6" chrome angular cab steps, 18" chrome-clad aluminum wheels with LT275/65R18 all-season BSW tires (on SRW only), LCD productivity screen, auto-dimming rearview mirror, compass, fog lamps and steering wheel-mounted audio controls (requires PowerScope mirrors; SuperCab and Crew Cab only)
- 5th-Wheel/Gooseneck Trailer Tow Prep Package** includes 1 under-bed-frame crossmember, 5 pickup bed 5th-wheel/gooseneck attachment points and close-out plugs, and an integrated 7-pin connector on the driver's side pickup bed wall (n/a with stowable bed extender)
- 9,900-lb. GVWR Package** (F-250)
- 10,000-lb. GVWR Package** (F-350 SRW)
- Camper Package** includes front springs upgrade (unless maximum springs have been computer-selected as included equipment), rear stabilizer bar (SRW), slide-in-camper certification and auxiliary rear springs on F-250 (restrictions apply)
- CNG/LPG Gaseous Engine Prep Package** includes hardened engine intake valves and valve seats and bi-fuel manifold (F-250/F-350 with gas engine only)
- FX4 Off-Road Package** includes transfer case and fuel tank skid plates, Hill Descent Control™ (SRW only), Rancho® shocks and FX4 Off-Road box decals (restrictions apply)
- Heavy-Service Front Suspension Package** includes front springs upgrade (unless maximum springs have been computer-selected as included equipment; restrictions apply)
- Snow Plow Prep Package** includes computer-selected springs for snow plow application and extra-heavy-duty alternator with diesel engine only (4x4 only; restrictions apply)

¹Requires 5th-Wheel/Gooseneck Trailer Tow Prep Package. See your dealer for details.
²Ford Licensed Accessory. See your dealer for limited warranty details. ³Late availability.





LARIAT

Mechanical

- 6.7L Power Stroke® V8 Turbo Diesel B20-capable engine (standard on F-450)

- 5th-wheel hitch kit (requires 8' box; includes 18K hitch on SRW or 25K hitch on DRW)¹

- Gooseneck hitch kit¹

- Alternators – Dual, 357-amp total (diesel engine only)

- Engine block heater (standard in 15 cold-weather states)

- Power take-off (PTO) provision allows transmission-mounted live-drive and stationary modes (diesel engine only)

- Rear axle – Electronic-locking (F-250/F-350 SRW only)

- Rear axle – Limited-slip (F-350 DRW; standard on F-450)

- 20" premium cast-aluminum wheels – 4 (F-250/F-350 SRW 4x4 only)

- 20" chrome-clad aluminum wheels – 4 (requires Chrome Package; F-250/F-350 SRW 4x4 diesel engine only)

- LT245/75R17 all-terrain BSW tires – 5 (F-350 DRW/F-450)

- LT245/75R17 all-terrain OWL tires – 4 (F-350 DRW/F-450)

- LT275/70R18 all-terrain BSW tires – 4 (F-250/F-350 SRW 4x4)

- LT275/70R18 all-terrain OWL tires – 4 (F-250/F-350 SRW 4x4)

- LT275/65R20 all-terrain OWL tires – 4 (F-250/F-350 SRW 4x4)

Seating

- 40/20/40 leather-trimmed split front seats, center under-seat lockable storage with 12-volt powerpoint, and center armrest with cupholders and storage

- Heated rear outboard seats (requires LARIAT Interior or LARIAT Ultimate Package; Crew Cab only)

Interior

- Navigation System with Premium Sound System includes HD Radio™ Technology, AM/FM stereo/single-CD player with MP3 capability, USB port, in-dash touch screen, voice-activated controls, SiriusXM Traffic and Travel Link capability, digital clock and 8 speakers with subwoofer

- Flooring – Black all-weather floor mats (deletes carpeted floor mats)

- Rapid-heat supplemental cab heater (requires diesel engine)

- Remote Start System

- Universal garage door opener

- Upfitter switches located on instrument panel (4)

Exterior

- Bed mat (restrictions apply)

- Bedliner – Plastic drop-in

- Bedliner – Tough Bed® spray-in includes tailgate guard and black bed bolts

- Body-color bodyside moldings (SRW only)

- Cab steps – 5" chrome tubular (standard on DRW)

- Cable Lock by Master Lock®²

- Crew Chief™ powered by Telogis®² – Fleet tracking system (includes 1 year of Crew Chief service)

- Exterior backup alarm²

- Power-sliding moonroof (Crew Cab only)

- Roof clearance lamps (standard on DRW)

- Skid plates – Transfer case and fuel tank (4x4 only)

- Soft roll-up tonneau cover²

- Splash guards (front and rear on SRW; rear only on DRW)

- Stowable bed extender (F-250/F-350 SRW only)

- Tailgate step includes step, tailgate assist and grab bar

- Two-tone lower-accent paint (includes accent-color wheel-lip moldings on SRW)

- Wheel-well liners (SRW only)

Packages

- LARIAT Interior Package** includes easy entry/exit memory, power, heated/cooled driver's seat; power, heated/cooled front-passenger seat; memory, power trailer tow mirrors; memory, power-adjustable pedals; and Remote Start System

- LARIAT Ultimate Package** includes easy entry/exit memory, power, heated/cooled driver's seat; power, heated/cooled front-passenger seat; memory, power trailer tow mirrors; memory, power-adjustable pedals; power moonroof; Navigation System; tailgate step; and Remote Start System (Crew Cab only; restrictions apply)

- Chrome Package** includes chrome exhaust tip, chrome tow hooks, unique chrome mirror caps, chrome cargo tie-down hooks, 6" chrome angular cab steps and 18" chrome-clad aluminum wheels with LT275/65R18 all-season BSW tires (on SRW only)

- 5th-Wheel/Gooseneck Trailer Tow Prep Package** includes 1 under-bed-frame crossmember, 5 pickup bed 5th-wheel/gooseneck attachment points and close-out plugs, and an integrated 7-pin connector on the driver's side pickup bed wall (n/a with stowable bed extender)

- 9,900-lb. GVWR Package** (F-250)

- 10,000-lb. GVWR Package** (F-350 SRW)

- Camper Package** includes front springs upgrade (unless maximum springs have been computer-selected as included equipment), rear stabilizer bar (SRW), slide-in-camper certification and auxiliary rear springs on F-250 (restrictions apply)

- CNG/LPG Gaseous Engine Prep Package** includes hardened engine intake valves and valve seats and bi-fuel manifold (F-250/F-350 with gas engine only)

- FX4 Off-Road Package** includes transfer case and fuel tank skid plates, Hill Descent Control™ (SRW only), Rancho® shocks and FX4 Off-Road box decals (restrictions apply)

- Heavy-Service Front Suspension Package** includes front springs upgrade (unless maximum springs have been computer-selected as included equipment; restrictions apply)

- Snow Plow Prep Package** includes computer-selected springs for snow plow application and extra-heavy-duty alternator with diesel engine only (4x4 only; restrictions apply)

¹Requires 5th-Wheel/Gooseneck Trailer Tow Prep Package. See your dealer for details.
²Ford Licensed Accessory. See your dealer for limited warranty details.





KING RANCH®

Mechanical

- 6.7L Power Stroke® V8 Turbo Diesel B20-capable engine (standard on F-450)

- 5th-wheel hitch kit (requires 8' box; includes 18K hitch on SRW or 25K hitch on DRW)¹

- Gooseneck hitch kit¹

- Alternators – Dual, 357-amp total (diesel engine only)

- Engine block heater (standard in 15 cold-weather states)

- Power take-off (PTO) provision allows transmission-mounted live-drive and stationary modes (diesel engine only)

- Rear axle – Electronic-locking (F-250/F-350 SRW only)

- Rear axle – Limited-slip (F-350 DRW; standard on F-450)

- 20" premium painted cast-aluminum wheels – 4 (F-250/F-350 SRW 4x4 only)

- 20" chrome-clad aluminum wheels – 4 (requires Chrome Package; F-250/F-350 SRW 4x4 diesel engine only; SuperCab and Crew Cab only)

- LT275/70R18 all-terrain BSW tires – 4 (F-250/F-350 SRW 4x4)

- LT275/70R18 all-terrain OWL tires – 4 (F-250/F-350 SRW 4x4)

- LT275/65R20 all-terrain OWL tires – 4 (F-250/F-350 SRW 4x4)

- LT245/75R17 all-terrain BSW tires – 5 (DRW)

- LT245/75R17 all-terrain OWL tires – 4 (DRW)

Seating

- Heated rear outboard seats

Interior

- Rapid-heat supplemental cab heater (requires diesel engine)

- Upfitter switches located on instrument panel (4)

Exterior

- Bed mat (restrictions apply)

- Bedliner – Plastic drop-in

- Bedliner – Tough Bed® spray-in includes tailgate guard and black bed bolts

- Cable Lock by Master Lock®²

- Crew Chief™ powered by Telogis®² – Fleet tracking system (includes 1 year of Crew Chief service)

- Exterior backup alarm²

- Power-sliding moonroof

- Roof clearance lamps (standard on DRW)

- Skid plates – Transfer case and fuel tank (4x4 only)

- Soft roll-up tonneau cover²

- Splash guards (front and rear on SRW; rear only on DRW)

- Stowable bed extender (F-250/F-350 SRW only)

- Tailgate step includes step, tailgate assist and grab bar

- Wheel-well liners (SRW only)

Packages

- KING RANCH with Chrome Package** includes chrome exhaust tip, chrome tow hooks, unique chrome mirror caps, chrome cargo tie-down hooks, 6" chrome angular cab steps, and 18" chrome-clad aluminum wheels with LT275/65R18 all-season BSW tires (on SRW only)

- 5th-Wheel/Gooseneck Trailer Tow Prep Package** includes 1 under-bed-frame crossmember, 5 pickup bed 5th-wheel/gooseneck attachment points and close-out plugs, and an integrated 7-pin connector on the driver's side pickup bed wall (n/a with stowable bed extender)

- 9,900-lb. GVWR Package** (F-250)

- 10,000-lb. GVWR Package** (F-350 SRW)

- Camper Package** includes front springs upgrade (unless maximum springs have been computer-selected as included equipment), rear stabilizer bar (SRW), slide-in-camper certification and auxiliary rear springs on F-250 (restrictions apply)

- CNG/LPG Gaseous Engine Prep Package** includes hardened engine intake valves and valve seats and bi-fuel manifold (F-250/F-350 with gas engine only)

- FX4 Off-Road Package** includes transfer case and fuel tank skid plates, Hill Descent Control™ (SRW only), Rancho® shocks and FX4 Off-Road box decals (restrictions apply)

- Heavy-Service Front Suspension Package** includes front springs upgrade (unless maximum springs have been computer-selected as included equipment; restrictions apply)

- Snow Plow Prep Package** includes computer-selected springs for snow plow application and extra-heavy-duty alternator with diesel engine only (4x4 only; restrictions apply)

¹Requires 5th-Wheel/Gooseneck Trailer Tow Prep Package. See your dealer for details.
²Ford Licensed Accessory. See your dealer for limited warranty details.





PLATINUM

Mechanical

6.7L Power Stroke® V8 Turbo Diesel B20-capable engine (standard on F-450)

5th-wheel hitch kit (requires 8' box; includes 18K hitch on SRW or 25K hitch on DRW)¹

Gooseneck hitch kit¹

Alternators – Dual, 357-amp total (diesel engine only)

Engine block heater (standard in 15 cold-weather states)

Power take-off (PTO) provision allows transmission-mounted live-drive and stationary modes (diesel engine only)

Rear axle – Electronic-locking (F-250/F-350 SRW only)

Rear axle – Limited-slip (F-350 DRW; standard on F-450)

LT245/75R17 all-terrain BSW tires – 5 (DRW)

LT245/75R17 all-terrain OWL tires – 4 (DRW)

Seating

Heated rear outboard seats

Interior

Rapid-heat supplemental cab heater (requires diesel engine)

Upfitter switches located on instrument panel (4)

Exterior

Bed mat (restrictions apply)

Bedliner – Plastic drop-in

Bedliner – Tough Bed® spray-in includes tailgate guard and black bed bolts

Cable Lock by Master Lock^{®2}

Crew Chief™ powered by Telogis^{®2} – Fleet tracking system (includes 1 year of Crew Chief service)

Exterior backup alarm²

Power-sliding moonroof

Roof clearance lamps (standard on DRW)

Soft roll-up tonneau cover²

Splash guards (front and rear on SRW; rear only on DRW)

Stowable bed extender (F-250/F-350 SRW only)

Wheel-well liners (SRW only)

Packages

5th-Wheel/Gooseneck Trailer Tow Prep Package includes 1 under-bed-frame crossmember, 5 pickup bed 5th-wheel/gooseneck attachment points and close-out plugs, and an integrated 7-pin connector on the driver's side pickup bed wall (n/a with stowable bed extender)

9,900-lb. GVWR Package (F-250)

10,000-lb. GVWR Package (F-350 SRW)

Camper Package includes front springs upgrade (unless maximum springs have been computer-selected as included equipment), rear stabilizer bar (SRW), slide-in-camper certification and auxiliary rear springs on F-250 (DRW only on PLATINUM; restrictions apply)

CNG/LPG Gaseous Engine Prep Package includes hardened engine intake valves and valve seats and bi-fuel manifold (F-250/F-350 with gas engine only)

FX4 Off-Road Package includes transfer case and fuel tank skid plates, Hill Descent Control™ (SRW only), Rancho® shocks and FX4 Off-Road box decals (restrictions apply)

Heavy-Service Front Suspension Package includes front springs upgrade (unless maximum springs have been computer-selected as included equipment; restrictions apply)

Snow Plow Prep Package includes computer-selected springs for snow plow application and extra-heavy-duty alternator with diesel engine only (4x4 only; restrictions apply)

¹Requires 5th-Wheel/Gooseneck Trailer Tow Prep Package. See your dealer for details.
²Ford Licensed Accessory. See your dealer for limited warranty details.



XL/XLT



Argent-Painted Steel
17" Standard on F-250/F-350 SRW XL
18" Optional on F-350 SRW XL



17" 6-Spoke Cast-Aluminum
Optional on F-250/F-350 SRW XL
Standard on F-250/F-350 SRW XLT



17" Argent-Painted Steel
w/Bright Center Cap
Included on F-250/F-350 SRW XL
w/XL Value Package



18" Chrome-Clad Aluminum
Included on F-250/F-350 SRW XLT
w/XLT Premium Package



17" Argent-Painted Steel (DRW)
Standard on F-350 DRW XL & XLT



18" Cast-Aluminum
Optional on F-250/F-350 SRW XLT



17" Argent-Painted Steel
w/Stainless Steel Cover
Optional on F-350 DRW XL & XLT



17" Polished Forged-Aluminum (DRW)
Standard on F-450 DRW XL & XLT
Optional on F-350 DRW XL & XLT

LARIAT



17" Polished Forged-Aluminum (DRW)
Standard on F-350 DRW/F-450



18" Bright-Machined Cast-Aluminum
Standard on F-250/F-350 SRW



18" Chrome-Clad Aluminum
Included on F-250/F-350 SRW
w/Chrome Package



20" Premium Cast-Aluminum
Optional on F-250/F-350 SRW



20" Chrome-Clad Aluminum
Optional on F-250/F-350 SRW 4x4
w/Chrome Package

KING RANCH®



17" Polished Forged-Aluminum (DRW)
Standard on F-350 DRW/F-450



18" Bright-Machined Cast-Aluminum
Standard on F-250/F-350 SRW



18" Chrome-Clad Aluminum
Included on F-250/F-350 SRW
w/Chrome Package



20" Premium Painted Cast-Aluminum
Optional on F-250/F-350 SRW



20" Chrome-Clad Aluminum
Optional on F-250/F-350 SRW 4x4
w/Chrome Package

PLATINUM



17" Polished Forged-Aluminum (DRW)
Standard on F-350 DRW/F-450



20" 7-Spoke Cast-Aluminum
with Black-Painted Pockets
Standard on F-250/F-350 SRW



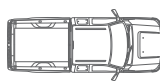
Regular Cab



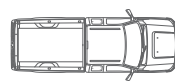
SuperCab



Crew Cab



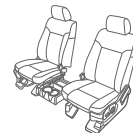
6 3/4' Box Size



8' Box Size



40/20/40 split front seat



40/mini-console/40 front bucket seats



40/console/40 front bucket seats

XL	<input type="radio"/>	<input type="radio"/>	<input type="radio"/>	<input type="radio"/>	<input type="radio"/>	<input checked="" type="radio"/>	<input type="radio"/>	<input type="radio"/>
XLT	<input type="radio"/>	<input type="radio"/>	<input type="radio"/>	<input type="radio"/>	<input type="radio"/>	<input checked="" type="radio"/>	<input type="radio"/>	<input type="radio"/>
LARIAT	<input type="radio"/>	<input type="radio"/>	<input type="radio"/>	<input type="radio"/>	<input type="radio"/>	<input type="radio"/>	<input type="radio"/>	<input checked="" type="radio"/>
KING RANCH	<input type="radio"/>	<input type="radio"/>	<input checked="" type="radio"/>	<input type="radio"/>	<input type="radio"/>	<input type="radio"/>	<input type="radio"/>	<input checked="" type="radio"/>
PLATINUM	<input type="radio"/>	<input type="radio"/>	<input checked="" type="radio"/>	<input type="radio"/>	<input type="radio"/>	<input type="radio"/>	<input type="radio"/>	<input checked="" type="radio"/>

● Standard ○ Optional



SUPER DUTY® Color and Trim

XL/XLT



Exteriors	Interiors	
	XL	XLT
A Oxford White	1, 2	2, 3
B Ingot Silver Metallic	1, 2	2
C Sterling Gray Metallic	1, 2	2
D Pale Adobe Metallic (XLT only)		2, 3
E Vermillion Red	1, 2	2, 3
F Ruby Red Metallic Tinted Clearcoat ^{1,2} (XLT only)		3
G Autumn Red Metallic ³ (XLT only)		3
H Kodiak Brown Metallic ² (XLT only)		3
I Blue Jeans Metallic ²	1, 2	2, 3
J Green Gem Metallic	1, 2	2, 3
K Tuxedo Black Metallic	1, 2	2, 3

¹Additional charge. Late availability. ²New for 2013. ³Limited availability. Colors are representative only. See your dealer for actual paint/trim options.

LARIAT/KING RANCH®/PLATINUM



Exteriors	Two-Tone	Interiors		
		LARIAT	KING RANCH	PLATINUM
A White Platinum Metallic Tri-coat ¹	■	1, 2	3, 4	5, 6
B Oxford White	■ ■	1, 2	3, 4	
C Ingot Silver Metallic	■	2		6
D Sterling Gray Metallic		2		
E Pale Adobe Metallic		1, 2		
F Vermillion Red		1, 2		
G Ruby Red Metallic Tinted Clearcoat ^{1,2,3}	■	1, 2	3, 4	6
H Autumn Red Metallic ⁴	■	1, 2	3, 4	
I Kodiak Brown Metallic ²	■	1, 2	3, 4	5, 6
J Blue Jeans Metallic ²	■ ■	1, 2	3, 4	
K Green Gem Metallic	■ ■	1, 2	3, 4	
L Tuxedo Black Metallic	■ ■	1, 2	3, 4	5, 6

■ Pale Adobe Two-Tone Accent exterior standard on KING RANCH, optional on LARIAT; not available on PLATINUM
 ■ Sterling Gray Two-Tone Accent exterior optional on LARIAT with Charcoal Black Leather interior only; not available on KING RANCH or PLATINUM

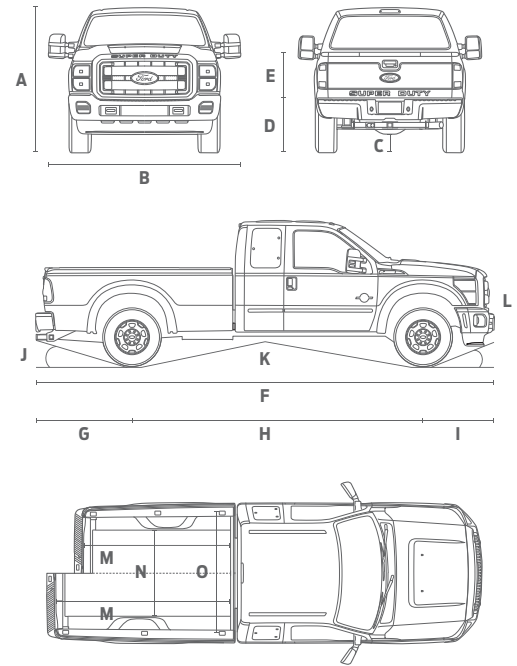
¹Additional charge. ²New for 2013. ³Late availability. ⁴Limited availability. Colors are representative only. See your dealer for actual paint/trim options.



TECHNICAL SPECIFICATIONS

DIMENSIONS

Exterior	Regular Cab	SuperCab	LWB	Crew Cab	LWB
	LWB	SWB		SWB	
	4x2/4x4	4x2/4x4	4x2/4x4	4x2/4x4	4x2/4x4
A. Height — F-250 SRW (w/o options)	76.6"/79.2"	77.0"/79.5"	76.9"/79.3"	77.4"/79.7"	77.3"/79.8"
A. Height — F-350 SRW (w/o options)	76.5"/80.0"	76.9"/80.4"	76.7"/80.2"	77.2"/80.8"	77.2"/80.8"
A. Height — F-350 DRW (w/o options)	76.7"/79.5"	—	76.9"/79.7"	—	77.3"/79.9"
A. Height — F-450 DRW (w/o options)	—	—	—	—	79.7"
B. Width — SRW (excl. mirrors)	79.9"	79.9"	79.9"	79.9"	79.9"
B. Width — DRW (excl. mirrors)	96.0"	—	96.0"	—	96.0"
B. Width — With mirrors	104.9"	104.9"	104.9"	104.9"	104.9"
B. Width — With mirrors extended	110.0"	110.0"	110.0"	110.0"	110.0"
C. Ground clearance — F-250 SRW	8.5"/8.2"	8.5"/8.2"	8.5"/8.1"	8.5"/8.1"	8.5"/8.1"
C. Ground clearance — F-350 SRW	8.5"/8.2"	8.5"/8.2"	8.5"/8.2"	8.5"/8.2"	8.5"/8.2"
C. Ground clearance — F-350 DRW	8.1"/8.0"	—	8.1"/8.0"	—	8.0"/8.0"
C. Ground clearance — F-450 DRW	—	—	—	—	8.0"
D. Load floor height — F-250 SRW	35.2"/36.3"	34.8"/35.6"	34.4"/35.4"	34.2"/35.1"	34.1"/35.0"
D. Load floor height — F-350 SRW	34.7"/38.5"	34.4"/37.9"	34.1"/38.0"	33.9"/37.8"	33.8"/37.7"
D. Load floor height — F-350 DRW	35.0"/36.4"	—	34.3"/35.7"	—	34.1"/35.6"
D. Load floor height — F-450 DRW	—	—	—	—	35.4"
E. Cargo box height	20.0"	20.0"	20.0"	20.0"	20.0"
F. Length	227.6"	232.4"	248.6"	246.8"	263.0"
G. Overhang — Rear	52.4"	52.4"	52.4"	52.4"	52.4"
H. Wheelbase	137.0"	141.8"	158.0"	156.2"	172.4"
I. Overhang — Front	38.1"	38.1"	38.1"	38.1"	38.1"
J. Angle of departure — F-250 SRW	17.8°/19.2°	17.4°/18.5°	17.0°/18.3°	16.7°/18.0°	16.7°/17.9°
J. Angle of departure — F-350 SRW	17.3°/21.5°	17.0°/20.9°	16.6°/21.1°	16.4°/20.8°	16.3°/20.8°
J. Angle of departure — F-350 DRW	17.6°/19.3°	—	16.9°/18.7°	—	16.7°/18.5°
J. Angle of departure — F-450 DRW	—	—	—	—	18.3°
K. Ramp breakover angle — F-250 SRW	17.5°/20.4°	16.9°/19.8°	15.8°/18.1°	15.7°/18.1°	15.0°/17.3°
K. Ramp breakover angle — F-350 SRW	17.2°/21.5°	16.7°/20.9°	15.6°/19.2°	15.5°/19.2°	14.8°/18.2°
K. Ramp breakover angle — F-350 DRW	17.5°/20.4°	—	15.9°/18.6°	—	15.0°/17.4°
K. Ramp breakover angle — F-450 DRW	—	—	—	—	17.0°
L. Angle of approach — F-250 SRW	18.0°/19.4°	18.1°/20.1°	18.7°/20.0°	18.7°/20.0°	18.9°/20.6°
L. Angle of approach — F-350 SRW	18.1°/18.8°	18.2°/19.5°	18.8°/19.3°	18.8°/19.3°	19.0°/20.0°
L. Angle of approach — F-350 DRW	18.2°/19.2°	—	19.0°/20.6°	—	19.1°/20.3°
L. Angle of approach — F-450 DRW	—	—	—	—	19.8°
Interior					
Front head room	40.7"	40.7"	40.7"	40.7"	40.7"
Front shoulder room	68.0"	68.0"	68.0"	68.0"	68.0"
Front hip room	67.6"	67.6"	67.6"	67.6"	67.6"
Front leg room	41.1"	41.1"	41.1"	41.1"	41.1"
Rear head room	—	38.1"	38.1"	40.8"	40.8"
Rear shoulder room	—	68.1"	68.1"	68.0"	68.0"
Rear hip room	—	67.3"	67.3"	67.6"	67.6"
Rear leg room	—	31.6"	31.6"	42.1"	42.1"
Cargo Box					
Volume (cu. ft.)	77.3	64.1	77.3	64.1	77.3
M. Length at floor	98.0"	81.8"	98.0"	81.8"	98.0"
N. Width at wheelhouse	50.9"	50.9"	50.9"	50.9"	50.9"
O. Width at floor (maximum)	69.3"	69.3"	69.3"	69.3"	69.3"



INTERIOR STORAGE (cu. ft.)

Front 40/20/40 split seat center under-seat lockable storage	0.36
Front flow-through center console main bin	1.23
Rear Crew Cab 60/40 split bench lockable under-seat storage	1.17

TRANSMISSION

Type	6-speed SelectShift Automatic®	
Case material	Aluminum	
PTO	Live-drive access on driver's side (diesel only)	
Gear ratios	1st	3.97:1
	2nd	2.31:1
	3rd	1.51:1
	4th	1.14:1
	5th	0.85:1
	6th	0.67:1
	Reverse	3.12:1

SRW = single rear wheel DRW = dual rear wheel SWB = short wheelbase (6¾' cargo box) LWB = long wheelbase (8' cargo box)

CONVENTIONAL TOWING — MAXIMUM LOADED TRAILER WEIGHT RATINGS (lbs.)

Engine	Automatic Transmission		Regular Cab					SuperCab					Crew Cab					
	Axle Ratio	GCWR	F-350 SRW 4x2	F-350 DRW 4x2	F-250 SRW 4x4	F-350 SRW 4x4	F-350 DRW 4x4	F-250 SRW 4x2	F-350 DRW 4x2	F-250 SRW 4x4	F-350 SRW 4x4	F-350 DRW 4x4	F-250 SRW 4x2	F-350 DRW 4x2	F-250 SRW 4x4	F-350 SRW 4x4	F-350 DRW 4x4	F-450 DRW 4x4
6.2L 2-valve FFV	3.73	19,000	12,500	—	12,500	12,500	—	12,500	—	12,400	12,300	—	12,500	—	12,200	12,100	—	—
	4.30	22,000	12,500	13,100	12,500	12,500	—	12,500	—	12,500	12,500	—	12,500	—	12,500	12,500	—	—
6.7L V8 Turbo Diesel	3.31	23,500	12,500	—	12,500	12,500	—	14,000	—	14,000	14,000	—	14,000	—	14,000	14,000	—	—
	3.55	23,500	12,500	—	12,500	12,500	—	14,000	—	14,000	14,000	—	14,000	—	14,000	14,000	—	—
	3.73	30,500	—	15,000	—	—	15,000	—	15,000	—	—	15,000	—	18,500	—	—	18,500	—
	4.30	33,000	—	—	—	—	—	—	—	—	—	—	—	—	—	—	—	18,500



TECHNICAL SPECIFICATIONS

POWERTRAINS

	6.2L 2-Valve V8 Gas ¹	6.7L V8 Turbo Diesel
Configuration	SOHC	OHV (32-valve)
Fuel injection	Sequential electronic	High-pressure common-rail
Engine control system	Electronic	Electronic
Induction system	Specially tuned	Single-sequential turbocharger; charged air cooler
Battery	12-volt; 650-CCA/72-amp-hr	Dual 12-volt; 750-CCA/78-amp-hr
Alternator	157-amp (single 200-amp, optional)	157-amp (single 200-amp or dual combined 357-amp, optional)
Cooling system	Pressurized series flow	Pressurized series flow
Oil-life monitor	Oil-minder system	Intelligent Oil-Life Monitor®
Cylinders	8	8
Cylinder heads	Aluminum	Aluminum
Block material	Cast iron	Compacted graphite iron
Valve operation	Roller-rocker shaft	Push rod/rocker arms
Camshaft drive	Silent chain	Gear
Bore/Stroke	4.02"/3.74"	3.90"/4.25"
Compression ratio	9.8:1	16.2:1
Horsepower/rpm	385 @ 5,500 ² /316 @ 4,179 ³	400 @ 2,800
Torque lb.-ft./rpm	405 @ 4,500 ² /397 @ 4,179 ³	800 @ 1,600
Recommended fuel	Regular unleaded or E85	Ultra-low-sulfur diesel or B20 (containing 20% or less biodiesel)

¹Certified to SAE J1349. ²10,000 lbs. GVWR and under. ³10,001 lbs. GVWR and over.

MECHANICAL

Front Suspension	
Type	Twin-I-Beam (F-250/F-350 4x2); solid Twin-Coil Monobeam axle (F-250/F-350 4x4, F-450 4x4)
Axle (rating @ ground)	5,250 lbs. (F-250/F-350 4x2); 6,000 lbs. (F-250/F-350/F-450 4x4)
Springs	Coil
Shock absorbers	1.38" gas type
Stabilizer bar	Standard
Rear Suspension	
Type	Solid axle
Axle (rating @ ground)	6,200 lbs. (F-250); 7,280 lbs. (F-350 SRW); 9,650 lbs. (F-350 DRW/F-450)
Springs	Leaf
Shock absorbers	1.38" gas type
Stabilizer bar	Standard on DRW pickup; optional in package on SRW pickup
Steering	
Assist	Power
Overall ratio	20.49:1 (F-250/F-350 4x2); 20.41:1 (F-250/F-350 4x4); 20.41:1 average (F-450)
Brakes	
Type	4-wheel vented-disc ABS (standard)
Front (rotor diameter)	14.29"
Rear (rotor diameter)	14.29"
Wheels	
Type	Steel or aluminum
Size	17", 18" or 20" (F-250/F-350); 17" (F-450)
Number of studs	8
Bolt-circle diameter	6.69" (170-mm) SRW; 7.87" (200-mm) F-350 DRW/F-450

MAXIMUM PAYLOAD WEIGHT RATINGS (lbs.)

	Max. GVWR	Regular Cab		SuperCab		Crew Cab	
		137.0" WB	141.8" WB	158.0" WB	156.2" WB	172.4" WB	
F-250 SRW 4x2	9,900	4,140	3,760	3,660	3,540	3,440	
	10,000	4,240	3,860	3,760	3,640	3,540	
F-250 SRW 4x4	9,900	3,640	3,360	3,250	3,150	3,040	
	10,000	3,780	3,460	3,350	3,250	3,140	
F-350 SRW 4x2	10,000	4,080	3,790	3,720	3,610	3,470	
	10,200	—	—	3,920	3,810	—	
	10,500	4,540	4,250	—	—	3,970	
	10,700	—	3,820	—	4,260	—	
	10,800	—	—	3,780	3,740	—	
	10,900	—	—	4,580	—	—	
	11,000	4,390	4,070	—	—	4,420	
	11,100	—	—	—	—	3,870	
	11,400	—	—	—	4,300	—	
	11,500	—	—	4,430	—	4,220	
	F-350 SRW 4x4	10,000	3,670	3,400	3,320	3,220	3,100
10,400		4,070	—	—	—	—	
10,500		4,110	3,900	—	—	—	
10,600		—	3,950	—	3,820	—	
10,700		—	—	4,020	—	—	
10,800		3,810	—	4,070	3,970	3,900	
11,000		3,970	—	4,230	—	4,050	
11,100		4,680	4,420	—	—	—	
11,200		—	3,910	3,780	3,750	4,220	
11,300		4,930	—	3,830	4,430	3,610	
11,500	4,430	4,170	3,990	3,970	3,780		
F-350 DRW 4x2	13,500	7,260	—	—	—	—	
	13,900	—	—	7,210	—	—	
	14,000	7,070	—	6,560	—	7,080	
F-350 DRW 4x4	13,800	7,090	—	—	—	—	
	14,000	6,650	—	6,900	—	6,680	
F-450 DRW 4x4	14,000	—	—	—	—	5,880	

WB = wheelbase

5TH-WHEEL TOWING — MAXIMUM LOADED TRAILER WEIGHT RATINGS (lbs.)

Automatic Transmission			Regular Cab						SuperCab						Crew Cab						
Engine	Axle Ratio	GCWR	F-250 SRW 4x2	F-350 SRW 4x2	F-350 DRW 4x2	F-250 SRW 4x4	F-350 SRW 4x4	F-350 DRW 4x4	F-250 SRW 4x2	F-350 SRW 4x2	F-350 DRW 4x2	F-250 SRW 4x4	F-350 SRW 4x4	F-350 DRW 4x4	F-250 SRW 4x2	F-350 SRW 4x2	F-350 DRW 4x2	F-250 SRW 4x4	F-350 SRW 4x4	F-350 DRW 4x4	F-450 DRW 4x4
6.2L 2-valve FFV	3.73	19,000	13,000	12,900	—	12,500	12,500	—	12,700	12,600	—	12,300	12,200	—	12,400	12,400	—	12,100	12,000	—	—
		19,500	—	—	13,000	—	—	—	—	—	—	—	—	—	—	—	—	—	—	—	—
	4.30	22,000	16,000	15,900	—	15,500	15,500	—	15,700	15,600	—	15,300	15,200	—	15,400	15,400	—	15,100	15,000	—	—
		22,500	—	—	16,000	—	—	15,600	—	—	—	—	—	—	—	—	—	—	—	—	—
6.7L V8 Turbo Diesel	3.31	23,500	16,800	16,700	—	16,400	16,300	—	16,500	16,400	—	16,100	16,100	—	16,300	16,300	—	15,900	15,900	—	—
	3.55	23,500	16,800	16,700	—	16,400	16,300	—	16,500	16,400	—	16,100	16,100	—	16,300	16,300	—	15,900	15,900	—	—
	3.73	30,500	—	—	23,200	—	—	—	—	—	—	—	—	—	—	—	—	—	—	—	—
	4.30	33,000	—	—	—	—	—	—	—	—	—	—	—	—	—	—	—	—	—	—	24,700





QUALITY, GREEN, SAFE AND SMART.

ford.com

New Vehicle Limited Warranty. We want your Ford F-Series Super Duty® ownership experience to be the best it can be. Under this warranty, your new vehicle comes with 3-year/36,000-mile bumper-to-bumper coverage, 5-year/60,000-mile Powertrain Warranty coverage, 5-year/60,000-mile safety restraint coverage, and 5-year/unlimited-mile corrosion (perforation) coverage – all with no deductible. The Ford 6.7L Power Stroke® diesel engine gets 5-year/100,000-mile warranty coverage. Please ask your Ford Dealer for a copy of this limited warranty. **Roadside Assistance.** Covers your vehicle for 5 years or 60,000 miles, so you have the security of knowing that help may be only a phone call away should you run out of fuel, lock yourself out of the vehicle or need towing. Your Ford Dealer can provide complete details on all of these advantages. **Ford Credit.** Get the ride you want. Whether you plan to lease or finance, you'll find the choices that are right for you at Ford Credit. Ask your Ford Dealer for details or check us out at fordcredit.com. **Ford Extended Service Plan.** For a purchase or lease, the Ford Extended Service Plan (ESP) gives you "Peace-of-Mind" protection designed to cover key vehicle components and protect you from the cost of unexpected repairs. Ask your dealer for a Ford ESP, the only service contract backed exclusively by Ford and honored at all Ford dealerships. **Insurance Services.** Get Ford Motor Company quality in your auto insurance. Our program offers industry-leading benefits and competitive rates. Call 1-877-367-3847, or visit us at fordvip.com for a no-obligation quote. Insurance offered by American Road Services Company (in CA, American Road Insurance Agency), a licensed agency and subsidiary of Ford Motor Company. **Genuine Ford Accessories** will be warranted for whichever provides you the greatest benefit: 12 months or 12,000 miles (whichever occurs first), or the remainder of your Bumper-to-Bumper 3-year/36,000-mile New Vehicle Limited Warranty. Ford Licensed Accessories (FLA) are warranted by the accessory manufacturer's warranty. FLA are fully designed and developed by the accessory manufacturer and have not been designed or tested to Ford Motor Company engineering requirements. Contact your Ford Dealer for details and/or a copy of all limited warranties.

Follow Ford:

