



STAY CONNECTED


VISIT US ONLINE TO CREATE YOUR IDEAL INFINITI

www.infiniti.com

JOIN OUR COMMUNITY, AND GET THE LATEST INFO

 [Facebook.com/infiniti](https://www.facebook.com/infiniti)

 [Instagram.com/infinitiusa](https://www.instagram.com/infinitiusa)

 [Twitter.com/infinitiusa](https://www.twitter.com/infinitiusa)

This brochure is intended for general descriptive and informational purposes only. It is subject to change and does not constitute an offer, representation or warranty (express or implied) by Nissan North America, Inc. Interested parties should confirm the accuracy of any information in this brochure as it relates to a vehicle directly with an INFINITI Retailer before relying on it to make a purchase decision. Nissan North America, Inc. reserves the right to make changes, at any time, without prior notice, in prices, colors, materials, equipment, specifications, and models and to discontinue models or equipment. Due to continuous product development and other pre- and post-production factors, actual vehicle, materials and specifications may vary from this brochure. Some vehicles shown with optional equipment. See the actual vehicle for complete accuracy. Availability and delivery times for particular models or equipment may vary. Specifications, options and accessories may differ in Hawaii, U.S. territories and other countries. For additional information on availability, options or accessories, see your INFINITI Retailer or visit INFINITI website.

Final production vehicle may vary. Always wear your seat belt, and please don't drink and drive. ©2019 INFINITI. IN-01579 Reorder #205061 (9/19, 15K, CC) ♻️ Reducing our environmental footprint is an important goal at INFINITI. That's why this brochure uses paper stock that is certified to contain a minimum of 10% post-consumer waste materials.

2020

Q60



INFINITI

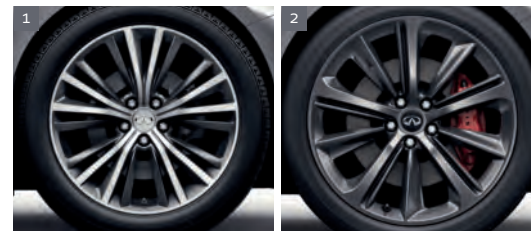
EMPOWER THE DRIVE®

FINALLY, LIFE AND LUXURY ARE ON THE SAME PAGE



Only something dynamic and daring could bring life and luxury together. Something like the 2020 INFINITI Q60, where next-generation performance technology and uncompromising design form a vibrant collaboration. This is performance that adapts and it's like nothing you've ever driven. Steering can be enhanced with an INFINITI world's first digital steering system¹ to make cornering feel smooth and instinctual, while available Dynamic Digital Suspension can adjust to the road and the driver in real time to give you the best response in the moment. When a sport coupe is as thrilling as it is forward-thinking, you're at your best. Because it's not about luxury, but what you do with it that counts.

LUXURY SHOULD BE LIVED IN



^ ROLL WITH DISTINCTION **1** 19 X 9.0-inch Aluminum-Alloy Wheels **2** 20 X 9.0-inch Front, 20 X 9.5-inch Rear Staggered Aluminum-Alloy Wheels***



^ EVERY LINE CAPTURES AN EMOTION

The sight of a Q60 stirs something deep inside. You sense it when gazing upon its dramatic creases and distinctive shapes. You anticipate it when looking over its athletic stance. With a sleek body that stands low and wide, the Q60 conveys exciting performance. Opt for the Q60 RED SPORT 400,¹ and the look turns extreme. Large 20-inch wheels, red brake calipers, sport exhaust tips and available Dynamic Sunstone Red exterior paint evoke a very different emotion in onlookers: envy.



^ 300-HP OR 400-HP. EXHILARATION FROM THE START

Press the Push Button Start and feel the power of a 3.0-liter twin-turbocharged V6 come to life. Inside the turbos, an advanced turbine-blade shape moves more air for quicker response. When combined with a speed sensor in the RED SPORT 400, the turbines can reach up to 240,000 rpm, boosting output from 300-hp to 400-hp. The water-cooled air travels a short path to the engine so it stays more dense for more power – and an infinite rush.¹

*INFINITI has taken care to ensure that the color swatches presented here are the closest possible representations of actual vehicle colors. Swatches may vary slightly due to the printing process and whether viewed in daylight, fluorescent or incandescent light. Please see the actual colors at your local INFINITI Retailer. **Additional cost applies for this option. ***Q60 RED SPORT 400 AWD receives 20 x 9.0-inch front and rear wheels with all-season performance tires. ****Available on Q60 RED SPORT 400 models only.

EXTERIOR COLORS*



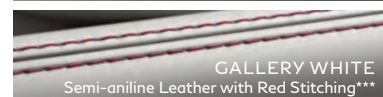
^ PAINT WITH PERSONALITY

From sophisticated to dynamic, color inspires your own personal style.

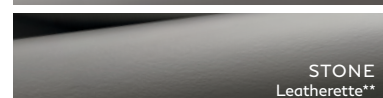
INTERIOR COLOR/MATERIAL*



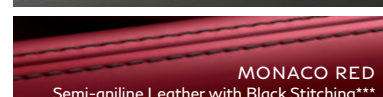
GALLERY WHITE
Semi-aniline Leather**



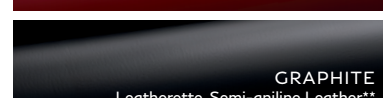
GALLERY WHITE
Semi-aniline Leather with Red Stitching***



STONE
Leatherette**



MONACO RED
Semi-aniline Leather with Black Stitching***



GRAPHITE
Leatherette, Semi-aniline Leather**

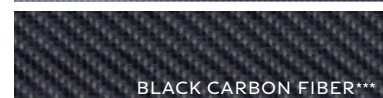


GRAPHITE
Semi-aniline Leather with Red Stitching***

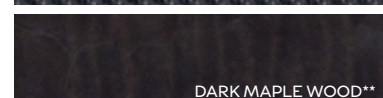
INTERIOR TRIM*



BRUSHED ALUMINUM



BLACK CARBON FIBER***



DARK MAPLE WOOD**

^ EVERY CHOICE IS BOLD A rich and modern palette is the foundation for a premium space. Engage the senses with a striking combination of sight and touch.

*INFINITI has taken care to ensure that the color swatches presented here are the closest possible representations of actual vehicle colors. Swatches may vary slightly due to the printing process and whether viewed in daylight, fluorescent or incandescent light. Please see the actual colors at your local INFINITI Retailer. **Additional cost applies for this option. ***Available on Q60 RED SPORT 400 only.



INSPIRED BY A DRIVER'S GLOVE

Performance drivers know the feeling – personal, fitted and above all, comfortable. This kind of tailored design and craftsmanship was the vision behind the cockpit. High-back bolstered seats offer greater thigh, lumbar and lateral support to enhance your in-control feel. Contrast stitching¹ found on the leather-wrapped steering wheel and shifter complement the contact points of your hand, while available semi-aniline leather appointments¹ provide durable and soft seating surfaces.

This is an exclusive space for drivers, capturing the spirit of a premium sport coupe.

▼ SYNC YOUR LIFE HERE INFINITI InTouch™ with smartphone connectivity^{2,3,4} extends your capabilities. Empower your drive with Apple CarPlay^{3,4} integration for your compatible iPhone.⁵ Or make your



INFINITI InTouch™ featuring Apple CarPlay® integration^{3,4}

Android Auto™^{3,4} compatible phone your preferred driving companion. Navigation^{1,4,5} provides real-time Premium Traffic information, turn-by-turn directions and more. Finally, enhanced Wi-Fi capability transforms your Q60 into a high-speed hotspot.⁴



Bose® Performance Series Audio with Bose® Centerpoint® surround technology

EVOLVE YOUR DRIVE As technology progresses, so does your relationship with your car. When activated, INFINITI drive assist technologies in the ProACTIVE Package¹ allow you to cruise with less stress, follow smarter and steer quicker. Blind Spot Intervention⁶ uses sensors to help detect cars in your blind spot area and can intervene to help avoid a collision. Intelligent Cruise Control (Full-Speed Range)⁷ automatically adjusts your speed to the flow of traffic. To ease the strain of parking, Around View⁸ Monitor with Moving Object Detection,⁸ on the ProASSIST Package, can assist you in parking and tight maneuvering with an overhead view of four sides.

HANDLING IS PERSONAL With two steering and two suspension systems, the path to agility is yours to customize. Select either Rack Electronic Power Steering with Sport mode for a lively response. Or go digital with Direct Adaptive Steering,⁹ on the ProACTIVE Package, and feel how easy it is to carve a perfect turn.¹ The choice of suspension is equally empowering. Independent front and rear suspension gives you a smooth level ride while Dynamic Digital Suspension, on Q60 RED SPORT 400,¹ recalibrates the balance between comfort and performance electronically as adjustable dampers react in real time to changing road demands and driver input.



TRIM LEVELS & PACKAGES

Q60 3.0t PURE

MECHANICAL AND PERFORMANCE

- 3.0-liter twin-turbocharged V6 engine (300-hp @ 6,400 rpm, 295 lb-ft @ 1,600-5,200 rpm)
- 7-speed automatic transmission
- Manual shift mode with Downshift Rev Matching
- Rack Electronic Power Steering
- Rear-Wheel Drive or INFINITI Intelligent All-Wheel Drive⁹

DESIGN

- LED automatic-on/off headlights
- LED signature Daytime Running Lights
- LED signature taillights
- LED front fog lights
- 19-inch aluminum-alloy wheels with 255/40R19 run-flat, all-season tires
- Zero-lift aerodynamics
- Front door handle courtesy lights
- 3.0t fender badge

CRAFTSMANSHIP

- Leatherette seating
- Brushed Aluminum interior trim
- Front door aluminum INFINITI kick plates
- 8-way power adjustable front seats

TECHNOLOGY

- INFINITI InTouch™ dual HD display system^{3,4}
- Apple CarPlay® integration for your compatible iPhone®^{3,4}
- Android integration for your Android Auto™ compatible phone^{3,4}
- SiriusXM® Radio with 3-month trial access⁴
- Bluetooth® Hands-free Phone System with audio streaming^{3,4}
- 1 USB Type-A and 1 USB Type-C port²
- Dual Zone Automatic Temperature Control System
- INFINITI Intelligent Key with Push Button Start
- INFINITI Voice Recognition^{3,4}
- Enhanced Intelligent Key memory stores audio, climate control, and driving preferences
- INFINITI Drive Mode Selector

SAFETY

- RearView Monitor¹⁰
- Anti-lock Braking System
- Brake Assist¹¹
- Electronic Brake force Distribution
- Vehicle Dynamic Control¹² with Traction Control System
- Tire Pressure Monitoring System¹³
- Vehicle Security System

Q60 3.0t LUXE

Includes all Q60 3.0t PURE standard features, plus:

MECHANICAL AND PERFORMANCE

- Rear-Wheel Drive or INFINITI Intelligent All-Wheel Drive⁹

DESIGN

- Power sliding/tinted glass moonroof and sliding sunshade

TECHNOLOGY

- Bose® Performance Series Audio 13-speaker stereo with Bose® Centerpoint® simulated surround
- HomeLink® Universal Transceiver
- Auto-dimming rearview mirror with compass

SAFETY

- Forward Emergency Braking with Pedestrian Detection¹⁴
- Predictive Forward Collision Warning¹⁵

Optional Packages: **1 2 3 5**

Q60 RED SPORT 400

Includes all Q60 3.0t LUXE standard features, plus:

MECHANICAL AND PERFORMANCE

- 3.0-liter twin-turbocharged V6 engine (400-hp @ 6,400 rpm, 350 lb-ft @ 1,600-5,200 rpm)
- Dynamic Digital Suspension
- Sport brakes with red finish calipers
- Rear-Wheel Drive or INFINITI Intelligent All-Wheel Drive⁹

DESIGN

- 20-inch staggered aluminum-alloy sport wheels¹
- Red "S" exterior badging
- Unique dual exhaust tips with brushed satin finish
- Steering wheel-mounted paddle shifters
- Black-painted side mirrors

CRAFTSMANSHIP

- Semi-aniline leather-appointed seats
- Genuine Black Carbon Fiber interior trim
- Exclusive Matte Black Chrome interior accents
- Driver's seat power lumbar and side bolsters
- Dashboard with red contrast stitching
- Shifter with red contrast stitching
- Heated front seats and steering wheel
- Steering wheel-mounted paddle shifters
- Aluminum accented sport pedals

TECHNOLOGY

- Navigation with 3D building graphics, 5-year complimentary access to Premium Traffic and MapCare^{3,4,5}
- INFINITI Voice Recognition for navigation functions^{3,4,5}
- SiriusXM® Travel Link with 3-month trial access to weather, fuel prices, stock prices, sport scores, movie listings and parking^{3,4}
- SiriusXM® Traffic™ with 3-month trial to real-time traffic information^{3,4}
- Automatic Collision Notification and Emergency Call^{3,4}
- INFINITI InTouch™ with Wi-Fi Hotspot^{3,4}
- Front and Rear Sonar System¹⁹
- Dual-occupant memory system for driver's seat, steering column and outside mirrors
- Power tilt and telescoping steering column
- Remote Engine Start¹⁶
- Rain-sensing wipers

SAFETY

- Blind Spot Warning¹⁷
- Around View® Monitor with Moving Object Detection⁸
- Backup Collision Intervention¹⁸

Optional Package: **4**



PACKAGES

1 ESSENTIAL PACKAGE

Requires **2** and **3**

- Navigation with 3D building graphics, 5-year complimentary access to Premium Traffic and MapCare^{3,4,5}
- Automatic Collision Notification and Emergency Call^{3,4}
- INFINITI Voice Recognition for navigation functions^{3,4,5}
- INFINITI InTouch™ with Wi-Fi Hotspot^{3,4}
- SiriusXM® Traffic™ with 3-month trial to real-time traffic information^{3,4}
- SiriusXM® Travel Link with 3-month trial access to weather, fuel prices, stock prices, sport scores, movie listings and parking^{3,4}
- Power tilt and telescoping steering wheel column
- Dual-occupant memory system for driver's seat, steering column and outside mirrors
- Driver's seat power lumbar and side bolsters
- Heated front seats and steering wheel
- Auto-dimming outside mirrors with reverse tilt-down feature
- Remote Engine Start¹⁶

2 PROASSIST PACKAGE

Requires **1** and **3**

- Around View® Monitor with Moving Object Detection⁸
- Blind Spot Warning¹⁷
- Backup Collision Intervention¹⁸
- Front and Rear Sonar System¹⁹
- Rain-sensing wipers

3 LEATHER-APPOINTED SEATING PACKAGE

Requires **1** and **2**

- Semi-aniline leather-appointed seating

4 PROACTIVE PACKAGE

Cannot be combined with **2 3 4 5**

- Direct Adaptive Steering®
- Blind Spot Intervention⁸⁶
- Intelligent Cruise Control (Full-Speed Range)⁷
- Distance Control Assist²⁰
- Lane Departure Warning and Lane Departure Prevention²¹
- Active Lane Control²²
- Adaptive Front lighting System

- High Beam Assist
- Advanced Climate Control System with auto-recirculation, Plasmacluster® air purifier and Grape Polyphenol Filter²³
- Front-seat Pre-Crash Seat Belts
- Eco Pedal²⁴

5 EDITION 30 PACKAGE²⁵

Cannot be combined with **1 2 3 4**

- "EDITION 30" badge
- "EDITION 30" illuminated stainless steel kick plates
- Dark chrome exterior accents – grille surround, fog lamp finishers, and front fender accent
- 19-inch dark finish aluminum-alloy wheels
- Black grille mesh
- Black mirror caps
- Graphite headliner, sun visors, and pillars
- Dark Maple Wood interior trim
- Power tilt and telescoping steering column
- Dual-occupant memory system for driver's seat, steering column, and outside mirrors
- Driver's seat power lumbar and side bolsters
- Heated front seats and steering wheel

- Auto-dimming outside mirrors with reverse tilt-down feature
- Navigation with 3D building graphics, 5-year complimentary access to Premium Traffic and MapCare^{3,4,5}
- INFINITI Voice Recognition for navigation functions^{3,4,5}
- INFINITI InTouch™ with Wi-Fi Hotspot⁴
- SiriusXM® Travel Link with 3-month trial access^{3,4}
- SiriusXM® Traffic™ with 3-month trial access^{3,4}
- Rain-sensing wipers
- Remote Engine Start¹⁶
- Automatic Collision Notification and Emergency Call⁴
- Blind Spot Warning¹⁷
- Around View® Monitor with Moving Object Detection⁸
- Front and Rear Sonar System¹⁹
- Backup Collision Intervention¹⁸
- Intelligent Cruise Control (Full Speed Range)⁷
- Distance Control Assist²⁰





1 CARBON FIBER REAR DECK LID SPOILER AND CARBON FIBER LOOK REAR BUMPER PROTECTOR 2 20-INCH CHARCOAL METALLIC PERFORMANCE WHEELS

^ EXTERIOR Style without pretense. Carbon Fiber elevates the aggressive character and gives the Q60 a more dynamic look. Select a custom-designed Carbon Fiber Rear Deck Lid Spoiler and you're adding a distinctive design element that also gives the rear a streamlined appearance. Large 20-inch wheels enhance another important aspect of your vehicle – its athletic stance. Every accessory amplifies the true nature of your INFINITI.

v INTERIOR Take life with you. A Console Net keeps a tablet close by, while Sport Floor Mats embrace your performance nature with a specially placed rubber section to save on heels. Sometimes, life is full of imperfect moments. Keep your Q60 protected and aesthetically pleasing with a Carbon Fiber Look Rear Bumper Protector that guards against scrapes when loading and unloading cargo.²⁶



3 CONSOLE NET
4 SPORT FLOOR MATS



GENUINE INFINITI ACCESSORIES FOR EVERY BEAUTIFUL DETAIL

A sport coupe can be more than a sleek, aerodynamic shape. If it's an INFINITI Q60, it can be a work of performance art. Genuine INFINITI Accessories add your unique signature to every vehicle.²⁷ Each accessory is made with exacting standards, the same ones we utilize when building your INFINITI Q60. This approach ensures each item is designed and manufactured to integrate seamlessly with your vehicle and provide a custom fit and finish. For more information and to shop online for Genuine INFINITI Accessories, go to parts.infiniti.com.

ACCESSORY SHOWN: CARBON FIBER FENDER VENTS KIT

v CARGO Hold virtually anything, including memories. A Trunk Protector lets you carry items without causing a mess. It also prevents the things you brought along – the stuff of memories – from sliding around.²⁶



1 TRUNK AREA PROTECTOR
2 INFINITI RADIANT ILLUMINATED KICK PLATES AND INFINITI RADIANT WELCOME LIGHTING

^ LIGHTING Illuminate elegance with signature lighting accessories. The effect lends an upscale ambience and offers a modern appeal that is unmistakable. From the soft glow of the INFINITI logo along the front door sills to the drama of INFINITI Radiant Welcome Lighting, brilliance is all around. Turn it on.

ADDITIONAL ACCESSORIES TO CONSIDER:

- Door Edge Protectors
- Carbon Fiber Front Fog Light Surround Kit
- INFINITI Radiant Interior Ambient Lighting
- 19-inch Charcoal Metallic Performance Wheel
- All-Season Floor Mats



A JOURNEY DRIVEN BY INNOVATION

INFINITI started with a radical philosophy: Build machines that put humans first. For 30 years we've made this vision a reality by combining daring design with world's first technologies that redefine the drive. As we move towards an electrified future, we celebrate our history of world's first innovations and launch a memorable 30th anniversary edition of our vehicles.

1990 FULL-ACTIVE SUSPENSION

Our first car already featured a world's first technology. The Q45 offered a more controlled ride by counteracting body motion in bumps, curves, acceleration and braking.

2001 REARVIEW MONITOR

When in reverse, an in-dash monitor displays a live picture of what's directly behind the vehicle. This feature set a new benchmark in the industry, as it's now standard on all new INFINITI vehicles sold in the U.S.¹⁰

2004 LANE DEPARTURE WARNING

Warns you if you begin to stray from your lane, helping address NHTSA findings that showed a significant number of all traffic fatalities were due to lane departure.²¹

2007 AROUND VIEW® MONITOR

Provides a 360° virtual composite view of what surrounds the vehicle and displays it in the dash.^{8,28}

2010 HYDRAULIC BODY MOTION CONTROL

Monitors force and distributes variable pressure to either the outer or inner suspension, which minimizes body lean and provides a smoother ride at all speeds.

2012 BACKUP COLLISION INTERVENTION

Can detect cross-traffic and stationary objects behind the car and, if necessary, engages the brakes to help avoid a collision.¹⁸

2013 DIRECT ADAPTIVE STEERING®

Transmits steering inputs electronically instead of mechanically, providing a quicker and more precise response.

2013 ACTIVE LANE CONTROL

Can make steering corrections to help you stay straight in your lane in crosswinds and on uneven roads.²²

2013 PREDICTIVE FORWARD COLLISION WARNING

Can warn of risks that lie beyond the driver's field of view by monitoring up to two vehicles directly ahead.¹⁵

2018 VC-TURBO™ ENGINE

Provides power when you need it, efficiency when you don't. Moves seamlessly between compression ratios, transforming from 8:1 for high performance to 14:1 for high efficiency.²⁹

2019 EDITION 30

To celebrate our 30th anniversary, the EDITION 30 equips your Q60 with many world's first innovations.* In addition to revolutionary technologies such as Blind Spot Warning,¹⁷ each EDITION 30 vehicle will feature exclusive style enhancements, including dark finish wheels, dark chrome exterior accents, graphite headliner, and distinct badging.²⁵

*World's first features available on Q60 include RearView Monitor,¹⁰ Lane Departure Warning,²¹ Backup Collision Intervention,¹⁸ Direct Adaptive Steering,⁸ Around View[®] Monitor with Moving Object Detection,⁹ Predictive Forward Collision Warning,¹⁵ and Active Lane Control.²²

TECHNICAL SPECS

PERFORMANCE

| | |
|--|--|
| 3.0t PURE, 3.0t LUXE horsepower / torque | 300-hp / 295 lb.-ft. |
| RED SPORT 400 horsepower / torque | 400-hp / 350 lb.-ft. |
| Suspension – front / rear | Double-wishbone / Independent multi-link |
| Available Sport Suspension | Dynamic Digital Suspension |
| Available Sport Brakes rotor size | 14-inch |

INTERIOR DIMENSIONS

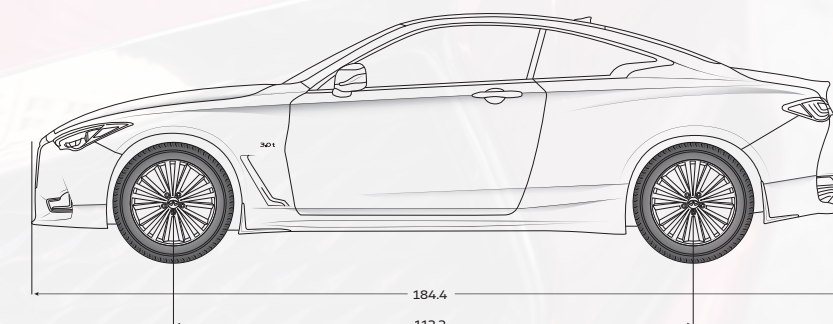
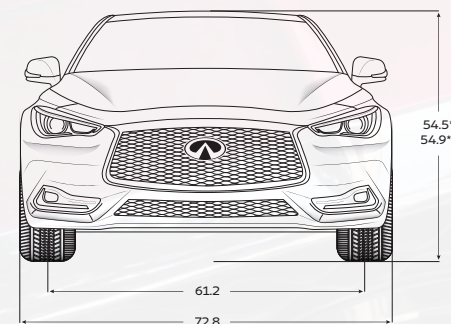
| | |
|--|-------------|
| Trunk volume ²⁶ (cubic feet) | 8.7 |
| Front head room – with / without moonroof (inches) | 37.4 / 37.9 |

FUEL ECONOMY

| | |
|---|-----------------------------|
| Estimated Fuel Economy PURE, ³⁰ LUXE ³⁰ RED SPORT 400 ³³ RWD (city / highway / combined) | 19 / 28 / 22 20 / 27 / 22 |
| Estimated Fuel Economy PURE, ³² LUXE ³² RED SPORT 400 ³³ AWD (city / highway / combined) | 19 / 27 / 22 19 / 26 / 21 |

See infinitusa.com for complete list of specifications.

*Q60 3.0t PURE, Q60 3.0t LUXE, Q60 RED SPORT 400. **Q60 3.0t PURE AWD, Q60 3.0t LUXE AWD, Q60 RED SPORT 400 AWD.



All dimensions are measured in inches.

1 Available on select models. 2 Driving is serious business and requires your full attention. If you have to use the connected device while driving, exercise extreme caution at all times so full attention may be given to vehicle operation. 3 Available services/features may be shown. Compatible connected device may be required. Only use services/features and device when safe and legal to do so. Subject to GPS and wireless network availability and connection, and system/technology limitations. Text rates/data usage/subscription may apply. Some services/features provided by companies not within INFINITI or its partners' or agents' control and may be discontinued at any time. For more information, see retailer, Owner's Manual, or www.InfinitiUSA.com/intouch/important-information. 4 If equipped, your vehicle may include INFINITI InTouch connected features and services such as Emergency Call and Automatic Collision Notification for one year, Wi-Fi, Navigation, Bluetooth and other connected features that can be viewed by model on the INFINITI InTouch website here: https://www.infinitusa.com/intouch/system-details For complete information about your INFINITI InTouch features and services, please consult your vehicle's INFINITI InTouch Owner's Manual at https://owners.infinitusa.com/owners/navigation/manualsAndGuides. For more information, please visit: https://www.infinitusa.com/intouch/important-information. Compatible connected device may be required. Subject to GPS and wireless network availability and connection, and system/technology limitations. INFINITI InTouch with Wi-Fi terms and conditions of subscriber agreement apply. 5 Never program while driving. GPS mapping may not be detailed in all areas or reflect current road status. 6 Blind Spot Intervention[®] cannot prevent all collisions and may not detect every object or warn in all situations. Driver should always turn and look before changing lanes. See Owner's Manual for safety information. 7 Intelligent Cruise Control uses limited braking and is not a collision avoidance or warning system. Driver should monitor traffic conditions and brake as needed to prevent collisions. See Owner's Manual for safety information. 8 Around View[®] Monitor with Moving Object Detection cannot eliminate blind spots and may not detect every object. Driver should always turn and check surroundings before driving. See Owner's Manual for safety information. 9 Intelligent All-Wheel Drive cannot prevent collisions or provide enhanced traction in all conditions. Always monitor traffic and weather conditions. 10 RearView Monitor may not detect every object and does not eliminate blind spots or warn of moving objects. See Owner's Manual for safety information. 11 Brake Assist cannot prevent all collisions and may not provide warning or braking in all conditions. Driver should monitor traffic conditions and brake as needed to prevent collisions. See Owner's Manual for safety information. 12 Vehicle Dynamic Control cannot prevent collisions due to abrupt steering, carelessness, or dangerous driving technique. It should remain on when driving, except when freeing the vehicle from mud or snow. See Owner's Manual for safety information. 13 Tire Pressure Monitoring System is not a substitute for regular tire pressure checks. See Owner's Manual for safety information. 14 Forward Emergency Braking with Pedestrian Detection cannot prevent all collisions and may not provide warning or braking in all conditions. Driver should monitor traffic conditions and brake as needed to prevent collisions. See Owner's Manual for safety information. 15 Predictive Forward Collision Warning cannot prevent collisions. See Owner's Manual for safety information. 16 State laws may apply. Review before using. 17 Blind Spot Warning is not a substitute for proper lane change procedures. The system will not prevent contact with other vehicles or accidents. It may not detect every vehicle or object around you. 18 Backup Collision Intervention may not detect every object. Driver should always turn and check surroundings before driving. See Owner's Manual for safety information. 19 Sonar System may not detect every object. Driver should always check surroundings before driving. See Owner's Manual for safety information. 20 Distance Control Assist uses limited braking and is not a collision avoidance or warning system. Driver should monitor traffic conditions and brake as needed to prevent collisions. See Owner's Manual for safety information. 21 Lane Departure Prevention and Lane Departure Warning only operate when lane markings are detectable. See Owner's Manual for safety information. 22 Active Lane Control cannot prevent collisions or loss of control. Driver should remain in control of vehicle at all times. See Owner's Manual for safety information. 23 The Advanced Climate Control System with Plasmacluster air purifier helps scrub the air in the vehicle's interior. The system can sense exterior odors, can suppress unpleasant interior odors, can stop the inflow of external odors and helps keep the cabin smelling fresh, but does not always eliminate odors. 24 Monitor traffic conditions and use conventional brake as needed to prevent collisions. See Owner's Manual for safety information. 25 Edition 30 Package available late 2019. 26 Cargo and load capacity limited by weight and distribution. Always secure all cargo. Heavy loading of the vehicle with cargo, especially on the roof, will affect the handling and stability of the vehicle. 27 INFINITI Genuine Accessories are covered by INFINITI's Limited Warranty for the longer of either 12 months/12,000 miles (whichever is earlier), or the remaining period under the 4-year/60,000-mile INFINITI New Vehicle Limited Warranty. Terms and conditions apply. See Warranty Information Booklet for details. 28 Virtual composite 360° view. 29 VC-Turbo™ launched by INFINITI in model year 2019. 30 2020 Q60 3.0t RWD EPA Fuel Economy Estimates 19 mpg City, 28 mpg Highway. Actual mileage may vary with driving conditions – use for comparison only. 31 2020 Q60 RED SPORT 400 RWD EPA Fuel Economy Estimates 20 mpg City, 27 mpg Highway. Actual mileage may vary with driving conditions – use for comparison only. 32 2020 Q60 3.0t AWD EPA Fuel Economy Estimates 19 mpg City, 26 mpg Highway. Actual mileage may vary with driving conditions – use for comparison only. 33 2020 Q60 RED SPORT 400 AWD EPA Fuel Economy Estimates XX mpg City, XX mpg Highway. Actual mileage may vary with driving conditions – use for comparison only. Android[™] and Android Auto[™] are trademarks of Google LLC. Bluetooth[®] is a registered trademark of Bluetooth SIG, Inc. Bose[®] and Centerpoint[®] are registered trademarks of The Bose Corporation. Apple CarPlay[®] is a registered trademark of Apple Inc. HomeLink[®] is a registered trademark of Genx Corporation. iPhone[®] is a registered trademark of Apple Inc. All rights reserved. iPhone[®] or other external device not included. The Sirius[®] XM[®] and SiriusXM[®] names and all related marks and logos are trademarks of Sirius XM Radio Inc. All other trademarks are the property of their respective owners.