

VISIT US ONLINE TO CREATE YOUR IDEAL INFINITI

www.infiniti.com

JOIN OUR COMMUNITY, AND GET THE LATEST INFO

 [Facebook.com/infiniti](https://www.facebook.com/infiniti)  [Twitter.com/infinitiusa](https://www.twitter.com/infinitiusa)

2018
QX30



INFINITI

EMPOWER THE DRIVE™

This brochure is intended for general descriptive and informational purposes only. It is subject to change and does not constitute an offer, representation or warranty (express or implied) by Nissan North America, Inc. Interested parties should confirm the accuracy of any information in this brochure as it relates to a vehicle directly with an INFINITI Retailer before relying on it to make a purchase decision. Nissan North America, Inc., reserves the right to make changes, at any time, without prior notice, in prices, colors, materials, equipment, specifications, and models and to discontinue models or equipment. Due to continuous product development and other pre- and post-production factors, actual vehicle, materials and specifications may vary from this brochure. Some vehicles shown with optional equipment. See the actual vehicle for complete accuracy. Availability and delivery times for particular models or equipment may vary. Specifications, options and accessories may differ in Hawaii, U.S. territories and other countries. For additional information on availability, options or accessories, see your INFINITI Retailer or visit INFINITI website.

Final production vehicle may vary. Always wear your seat belt, and please don't drink and drive. ©2017 INFINITI. IN-20428 Reorder #18504i (4/17, 23K, CG) ♻️ Reducing our environmental footprint is an important goal at INFINITI. That's why this brochure uses paper stock that is certified to contain a minimum of 10% post-consumer waste materials.

INFINITE POTENTIAL

We believe every driver is empowered with untold possibilities. To excel. To go as far as their drive will take them. See this take shape on the INFINITI QX30, where disruptive design and innovation elevate your style and abilities. Begin by crafting your QX30 for your individual journey. Every selection will transform vision into reality: Yours.



GO BEYOND THE CITY When the road gets slick, QX30 AWD adapts. On dry pavement, Intelligent All-Wheel Drive sends 100% of the power to the front wheels for fuel efficiency. But if road conditions change, the system automatically transfers up to 50% of the power to the rear wheels. The more in control you feel, the more confident you become—no matter how far out you go.

DRIVE DESIGN FORWARD While the QX30 Premium is shaped with gloss black wheel arches and side sills, the INFINITI QX30 Sport is styled with a flair all its own. Aggressive. Lower. With an attitude and stance reimagined to make you look twice.

WHEEL CHOICES



18 X 7.0-INCH ALUMINUM-ALLOY WHEELS



18 X 7.0-INCH MACHINE-FINISHED ALUMINUM-ALLOY WHEELS WITH RED ACCENTS*

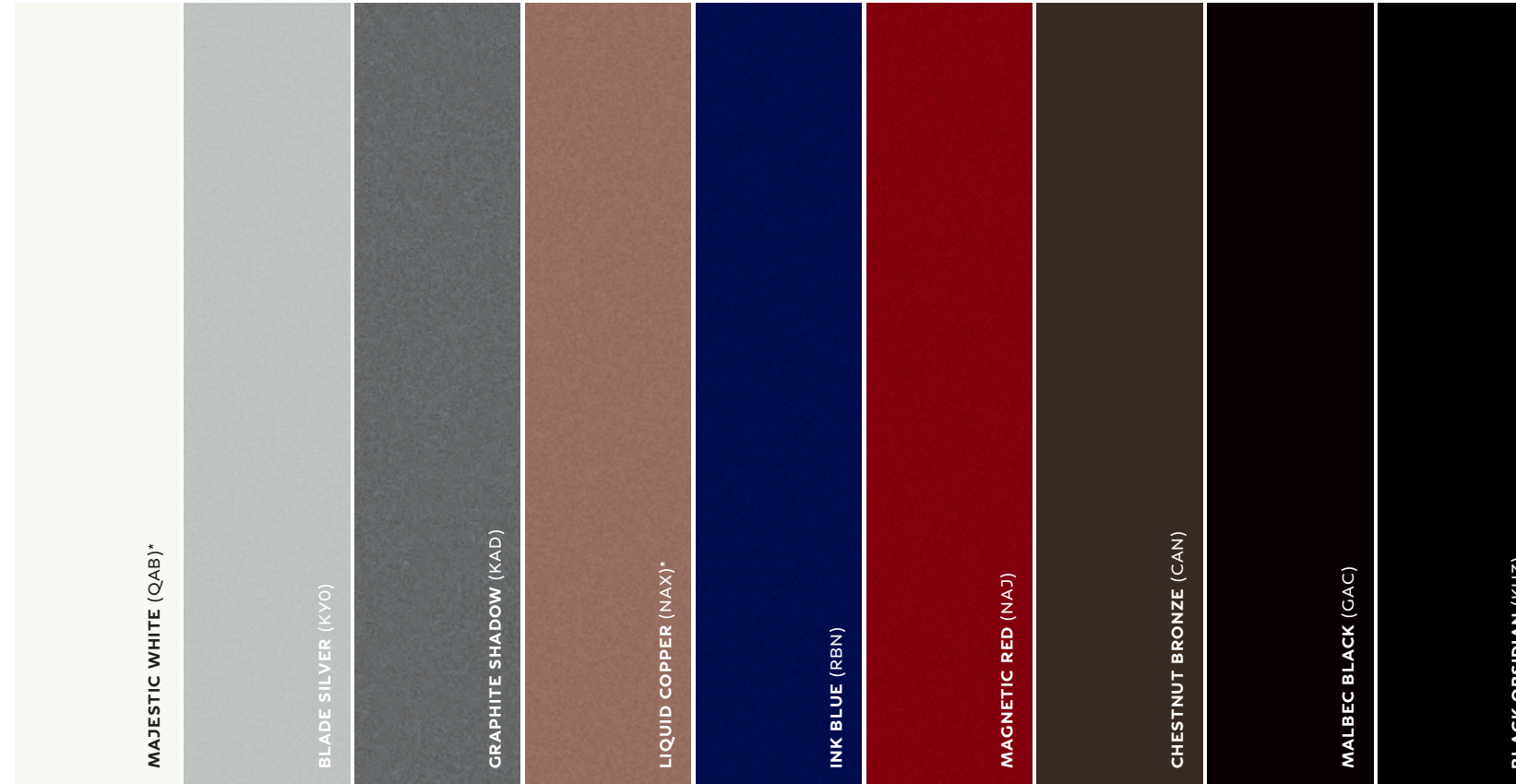


18 X 7.0-INCH ALUMINUM-ALLOY WHEELS



19 X 8.0-INCH GUN METALLIC DOUBLE 5-SPOKE ALUMINUM-ALLOY WHEELS*

EXTERIOR COLORS



MAJESTIC WHITE (QAB)*

BLADE SILVER (KYO)

GRAPHITE SHADOW (KAD)

LIQUID COPPER (MAX)*

INK BLUE (RBN)

MAGNETIC RED (NAJ)

CHESTNUT BRONZE (CAN)

MALBEC BLACK (CAC)

BLACK OBSIDIAN (KH3)

INFINITI has taken care to ensure that the color swatches presented here are the closest possible representations of actual vehicle colors. Swatches may vary slightly due to the printing process and whether viewed in daylight, fluorescent or incandescent light. Please see the actual colors at your local INFINITI Retailer. *Additional cost applies for this option.

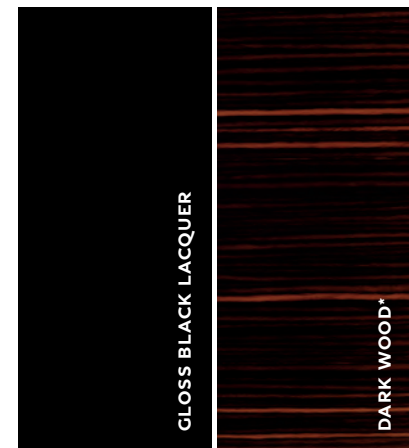
ADD DISTINCTION



INTERIOR COLORS



INTERIOR TRIM



INFINITI has taken care to ensure that the color swatches presented here are the closest possible representations of actual vehicle colors. Swatches may vary slightly due to the printing process and whether viewed in daylight, fluorescent or incandescent light. Please see the actual colors at your local INFINITI Retailer. *Additional cost applies for this option. ** Graphite leatherette and suede-like material available only on QX30 Sport.

UPGRADE YOUR CAPABILITIES

How will your QX30 come to life? Born to challenge, it offers bold ideas for the driven. Create an interior as daring as you. Push the latest technology, and change your perception: About what an active crossover can achieve. And what you are truly capable of, both in and out of the city.

CONFIGURE FOR ADVENTURE Designed for your easy nature, every QX30 offers a wide square opening that makes loading and unloading incredibly easy. Pop open the rear liftgate and you'll have direct access to the cargo area, clear from any obstruction.³ The 60/40 folding rear seats open up more space to carry more of your things while a middle pass-through holds your skis.² Opt for the Premium trim and a panoramic moonroof with power sunshade invites streaming natural light to add a spacious quality to the cabin.



EXPRESS YOUR INDIVIDUALITY Inside QX30, a choice of specialty color themes reflects a new mindset. Choose between the premium look and feel of Nappa leather-appointed seats in either graphite or wheat. The contemporary attitude of white Nappa leather-appointed seats revealed in the Gallery White Theme Package. Or the modern interpretation of a classic two-tone brown interior with Nappa leather-appointed seats found on the Café Teak Theme Package.²

SEE EVERY SIDE Gain a new perspective on what's around you when you select the Technology Package. With the Around View[®] Monitor with Moving Object Detection and Front and Rear Sonar System,^{2,3,4} it's easier to see and maneuver in even the tightest spaces. Four cameras and one virtual 360° view from above elevate your parking expertise, alerting you when a moving object is detected close by.⁵

PARK WITH EASE Make parking look easy with the Technology Package. A first from INFINITI, Intelligent Park Assist uses a combination of 12 sensors to identify a parking area large enough for QX30. Simply engage the gearshift, press a button to confirm, and operate the accelerator and brake pedal. Your vehicle will steer itself smoothly—reversing in or parallel parking into your favorite spot at the café.^{2,6}



TRIM LEVELS & PACKAGES

QX30	QX30 LUXURY	QX30 LUXURY AWD	QX30 PREMIUM	QX30 PREMIUM AWD	QX30 SPORT
<ul style="list-style-type: none"> • 2.0L Turbocharged I4 Engine with Idle Stop/Start • 7-speed double clutch automatic transmission • LED signature daytime running lights • Halogen automatic on/off headlights • 18" Aluminum-alloy wheels • 235/50R18 all-season, run-flat tires • Power folding and heated outside mirrors with puddle lights • Auto-dimming driver outside mirror • Body-color outside mirrors • Hill start assist • RearView Monitor⁷ • INFINITI InTouch™ 7" single screen with apps⁸ • Intelligent Key with Push Button Start • Leatherette-appointed stitched dash insert and console • Leather-wrapped steering wheel with paddle shifters • 8-way manually adjustable Fibretec front seats and 4-way driver side power lumbar with 4-way manually adjustable headrests • Dual Zone Automatic A/C with rear seat vents on console • 6-speaker audio system with AM/FM/CD/HD/SAT with 2 USB connection ports⁹ • Bluetooth® Hands-free Phone System and audio streaming¹⁰ • Voice recognition for audio, Bluetooth® and vehicle information¹⁰ • SiriusXM® Satellite Radio with 3-month complimentary trial¹¹ • SiriusXM® Travel Link with complimentary trial access to weather, fuel prices, stock prices, sports and movie times¹¹ 	<p>Includes all QX30 standard features, plus:</p> <ul style="list-style-type: none"> • Nappa leather-appointed seats • 8-way power front seats and 4-way passenger side power lumbar • Leatherette-appointed and stitched dash inserts • Heated front seats • Memory seats and mirrors • Rear armrest and ski hatch 	<p>Includes all QX30 Luxury standard features, plus:</p> <ul style="list-style-type: none"> • Intelligent All-Wheel Drive (AWD) • Raised AWD suspension • Unique front and rear AWD styling • Roof rails • Unique 18" machine-finished aluminum-alloy wheels • 235/50R18 all-season, run-flat tires • Extended overfenders • Unique sills (black mold-in color) 	<p>Includes all QX30 Luxury standard features, plus:</p> <ul style="list-style-type: none"> • Bose® 10-speaker premium audio • Panoramic moonroof with power sunshade • Roof rails • Rain-sensing front windshield wipers • Heated windshield washers • LED front fog lights • Cargo area finisher¹ • Aluminum kick plates • Active sound enhancement • Universal Garage Door Opener (UGDO) <p>Optional Packages: 1 2 3 4 5 6</p> 	<p>Includes all QX30 Luxury AWD standard features, plus:</p> <ul style="list-style-type: none"> • Bose® 10-speaker premium audio • Panoramic moonroof with power sunshade • Rain-sensing front windshield wipers • Heated windshield washers • LED front fog lights • Cargo area finisher¹ • Aluminum kick plates • Active sound enhancement • Universal Garage Door Opener (UGDO) <p>Optional Packages: 1 2 4 5 7</p>	<p>Includes all QX30 standard features, plus:</p> <ul style="list-style-type: none"> • Sport front and rear lower fascias with LED front fog lights • Lowered sport-tuned suspension • 19" Gun Metallic aluminum-alloy wheels • 235/45R19 summer tires • Cross-drilled front brake rotors with INFINITI-branded calipers • Body-color side sill panel • Gloss black grille paint, black outside mirrors • Dark chrome exhaust finishers (dual) • Rain-sensing front windshield wipers with heated washers • Around View® Monitor (AVM) with Moving Object Detection (MOD) with front and rear parking sensors^{3,4} • Intelligent Park Assist⁵ • Panoramic moonroof with power sunshade • Flat bottom leather-wrapped steering wheel • Sport seats with suede-like material • 8-way power front seats with 4-way power lumbar • 4-way power passenger lumbar • Leatherette-appointed door/center console/IP trim with stitching • Memory seats and mirrors • Aluminum pedal finishers • Rear armrest and ski hatch • Aluminum kick plates • Active sound enhancement • Bose® 10-speaker premium audio • Universal Garage Door Opener (UGDO) <p>Optional Packages: 8 9 10 11</p>

PACKAGES

1 Navigation Package

- INFINITI InTouch™ Navigation¹²
- INFINITI InTouch™ Services with complimentary trial access to safety, security and convenience services¹³
- SiriusXM® Traffic and Travel Link with complimentary trial access to traffic, weather, fuel prices, stock prices, sports and movie times¹¹
- Front and rear parking sensors⁴
- Color center meter display

2 Dark Wood Package

- Requires Navigation, Technology and LED Packages on QX30 Premium FWD. Requires Navigation Package on QX30 Premium AWD. Cannot be combined with 19" Wheel or Gallery White Theme Package.
- Genuine wood center stack and door handle trim
 - Graphite suede-like headliner and A-pillars

3 19" Wheel Package

- Requires Navigation Package. Cannot be combined with Dark Wood or Gallery White Theme Package.
- 19" Gun Metallic aluminum-alloy wheels
 - 235/45R19 summer tires

4 Technology Package

- Requires Navigation, Dark Wood or Gallery White Theme, and LED Packages on QX30 Premium FWD. Requires Navigation and LED Packages on QX30 Premium AWD.
- Around View® Monitor (AVM) with Moving Object Detection (MOD)³
 - Blind Spot Warning (BSW)¹⁴
 - Lane Departure Warning (LDW)¹⁵
 - Forward Emergency Braking (FEB)¹⁶
 - Intelligent Cruise Control (ICC) (Full-Speed Range)¹⁷
 - High Beam Assist
 - Intelligent Park Assist⁵

5 LED Package

- Requires Navigation, Dark Wood or Gallery White Theme, and Technology Packages on QX30 Premium FWD. Requires Navigation and Technology Packages on QX30 Premium AWD.
- LED headlights
 - Adaptive Front lighting System (AFS)
 - Enhanced LED interior ambient lighting

6 Gallery White Theme Package

- Requires Navigation, LED and Technology Packages. Cannot be combined with 19" Wheel or Dark Wood Package. (Available on QX30 Premium FWD only)
- White Nappa leather-appointed seats and dash insert
 - White leatherette-appointed console and door trim
 - Red contrast stitching on white leather/leatherette-appointed areas
 - Unique aluminum-alloy wheels with red accents
 - 235/50R18 all-season, run-flat tires

- Red-accented key fob and floor mats
- Enhanced LED interior ambient lighting
- Graphite suede-like headliner and A-pillars
- Satin-colored outside mirrors

7 Café Teak Theme Package

- Requires Navigation Package. Cannot be combined with Dark Wood Package. (Available on QX30 Premium AWD only)
- Brown Nappa leather-appointed seats
 - Brown leatherette-appointed console, dash insert and door trim
 - Graphite contrast stitching on brown leather/leatherette-appointed areas
 - Genuine wood center stack and door handle trim
 - Enhanced LED interior ambient lighting

- Graphite suede-like headliner and A-pillars
- Satin-colored outside mirrors

8 Sport Navigation Package

- (Available on QX30 Sport only)
- Includes all Navigation Package contents (Front and rear parking sensors standard on QX30 Sport)

9 Sport Leather Package

- Requires Sport Navigation Package. (Available on QX30 Sport only)
- Nappa leather-appointed sport seats
 - Heated front seats
 - Leatherette-appointed and stitched dash insert
 - Graphite suede-like headliner and A-pillars

10 Sport LED Package

- Requires Sport Navigation, Sport Leather and Sport Technology Packages. (Available on QX30 Sport only)
- Includes all LED Package contents, plus Headrest opening LED illumination

11 Sport Technology Package

- Requires Sport Navigation, Sport Leather and Sport LED Packages. (Available on QX30 Sport only)
- Includes all Technology Package contents

GENUINE INFINITI ACCESSORIES

The same exacting standards applied to the creation of an INFINITI vehicle go into designing and manufacturing Genuine INFINITI Accessories. With a wide array of quality products designed to integrate seamlessly, you can be assured of a custom fit and finish.¹⁸ For more information and to shop online for Genuine INFINITI Accessories, go to parts.infinitiusa.com.



ACCESSORIES SHOWN Red Lip Spoiler and 18-inch Aluminum-alloy Wheels.



19-INCH ALUMINUM-ALLOY WHEELS Inspired by a sense of continual motion, these eye-catching wheels express your sense of style and bold design. The contrasting finishes on the spokes are designed to set your INFINITI apart. Made of lightweight aluminum-alloy with original logo center caps.

ALL-SEASON FLOOR MATS Custom-made of durable and long-wearing material—they are designed to protect the interior footwells and capture dirt, sand and other debris while staying securely in place.

REVERSIBLE CARGO AREA PROTECTOR One side rubber, the other side fabric, this durable and flexible protector guards against scratches and damage in the cargo area.¹

INFINITI RADIANT ILLUMINATED KICK PLATES The INFINITI logo glows softly along the bottom of the front door sills—a signature flourish you and your passenger will appreciate every time you get in.²

INFINITI 4G WI-FI Enables you to seamlessly and securely conduct internet activities in stationary or moving vehicle. Your vehicle becomes a roving Wi-Fi hotspot, connecting up to five Wi-Fi-enabled devices to the internet in and around the car.¹⁹

STAINLESS STEEL REAR BUMPER PROTECTOR While you load, unload and handle all your cargo, scuffs and scrapes can happen. This protector not only adds a sophisticated look, but it's durable enough to resist the wear and tear of everyday life.

IT'S YOUR STATEMENT. BE BOLD WITH GALLERY WHITE

As unique as the interior of the INFINITI QX30 may be, you can also refine it to express your modern style. Designed to be the purest white leather available, the Gallery White Theme Package features leather-appointed seats that have been accented with red stitching for a fearless look. Red accent stitching complements the red accent color found on the key fob and the QX30 wheels. An exclusive process uses lasers to sculpt the accent color to match the red stitching for Gallery White. This system can precisely hold the painted lines to a tolerance of 0.3 mm.²

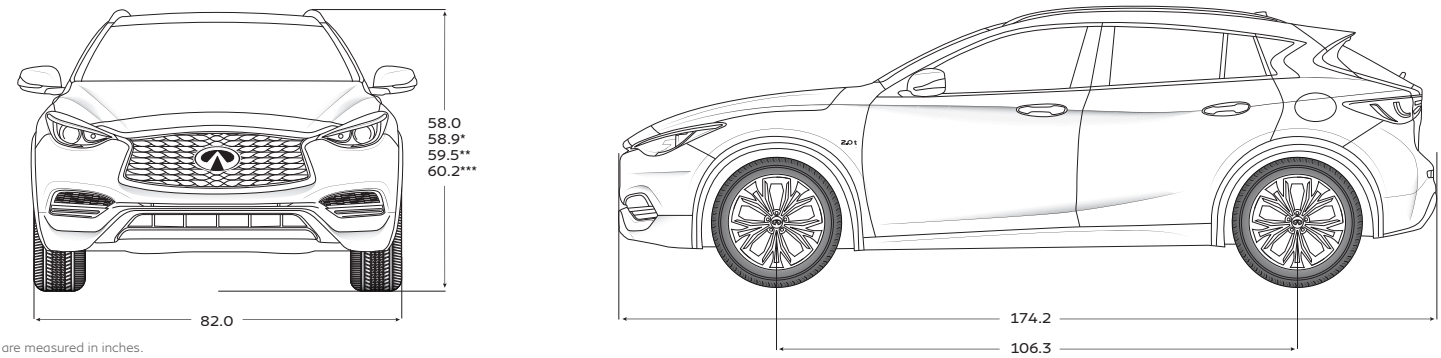


TECHNICAL SPECS

HANDLING DIMENSIONS	
FWD / AWD Turning diameter (feet)	37.3 / 36.6
INTERIOR DIMENSIONS	
Cargo volume (cubic feet)—Rear seats upright / Rear seats down	19.2 / 34.0
Headroom with moonroof (inches)—Front / Rear	38.4 / 37.5
Legroom (inches)—Front / Rear	41.3 / 33.5
Passenger volume (cubic feet)	108
WEIGHT AND CAPACITY	
QX30 / QX30 Luxury / QX30 Premium / QX30 Sport (lbs)	3,280 / 3,320 / 3,346 / 3,364
QX30 Luxury AWD / QX30 Premium AWD (lbs)	3,409 / 3,475
FWD / AWD Fuel capacity (gallons)	13.2 / 14.8

See infinitusa.com for complete list of specifications.

*QX30 and QX30 Luxury without roof rails **QX30 Premium ***QX30 Luxury AWD and QX30 Premium AWD



All dimensions are measured in inches.

1 Cargo and load capacity limited by weight and distribution. Always secure all cargo. Heavy loading of the vehicle with cargo, especially on the roof, will affect handling and stability of the vehicle. 2 Available on select models. 3 AVM with MOD cannot completely eliminate blind spots and may not detect every object. MOD operates at vehicle speeds below 5 mph. Always check surroundings and turn to look behind you before moving vehicle. 4 The Sonar System is a convenience, not a substitute for proper parking and/or backing procedures. Always check that it is safe to do so before moving vehicle. May not detect every object. 5 MOD cannot completely eliminate blind spots and may not detect every object. MOD operates at vehicle speeds below 5 mph. Always check surroundings and turn to look behind you before moving vehicle. 6 Intelligent Park Assist is only an aid. It is not a substitute for your attention to the immediate surroundings. The responsibility for safe maneuvering and parking the vehicle remains with the driver. 7 Parking aid/convenience feature. Cannot completely eliminate blind spots. May not detect every object and does not warn of moving objects. Always check surroundings and turn to look behind you before moving vehicle. 8 Driving is serious business. Only use features when safe to do so. App availability is dependent upon vehicle model, trim level, packaging, and/or options. See www.infinitusa.com/intouch/system-details for complete app availability details. Some apps require the INFINITI InTouch companion app installed and logged in with an active account to function. Never program while driving. GPS mapping may not be detailed in all areas or reflect current road status. Compatible smartphone required. Cellular network and GPS signals not available in all areas and/or at all times. Processing speed may vary. May require retailer service visit or software upgrade to activate. Technology is evolving, and changes by independent companies are not within INFINITI's control. INFINITI, a division of Nissan North America, Inc. (INFINITI) is not responsible for associated costs that may be required for continued operation due to cellular network termination (including equipment upgrades, if available, or roaming charges on alternative networks) or other third party changes. Should a third party provider terminate/restrict service, service may be terminated (and apps unavailable) without notice at any time and with no liability to INFINITI and its agents or affiliates. Subscription Agreement required and terms and conditions of Subscription Agreement apply. See www.infinitusa.com/intouch for details. Text rates and/or data usage may apply. 9 Driving is serious business and requires your full attention. If you have to use the connected device while driving, exercise extreme caution at all times so full attention may be given to vehicle operation. iPod is a registered trademark of Apple Inc. All rights reserved. iPod not included. 10 Availability of specific features is dependent upon the phone's Bluetooth® support. Please refer to your phone Owner's Manual for details. Bluetooth word mark and logos are owned by Bluetooth SIG, Inc., and any use of such marks by INFINITI is under license. See <http://www.infinitusa.com/bluetooth> for details. 11 Required monthly subscriptions sold separately for each available SiriusXM feature after trial period, and are continuous until you call SiriusXM to cancel. Installation costs, one-time activation fee, other fees and taxes will apply. Each SiriusXM feature availability is dependent upon vehicle model, trim level, packaging, and/or options, and may only be available in select markets. Satellite Radio U.S. service, NavWeather service, and SiriusXM TravelLink services (if any of the foregoing features are equipped on vehicle) available only to those 18 or older in the 48 contiguous states and D.C. Fees and programming subject to change. Subscriptions governed by Customer Agreement available at siriusxm.com. ©2017 Sirius XM Radio Inc. Sirius XM and all related marks and logos are trademarks of Sirius XM Radio Inc. 12 Never program while driving. GPS mapping may not be detailed in all areas or reflect current road status. 13 Driving is serious business. Only use INFINITI InTouch Services and INFINITI InTouch Services Premier when safe to do so. Never program while driving. GPS mapping may not be detailed in all areas or reflect current road status. Services, including Automatic Crash Notification and Emergency Call, require an active subscription, and are dependent upon the telematics device being in an operative condition, its ability to connect to a wireless network, compatible wireless network availability, navigation map data, and GPS satellite signal reception, the absence of which can limit or prevent the ability to reach INFINITI InTouch Services Customer Care or receive support. Services require compatible 3G GSM/GPRS cellular network provided by AT&T. 3G cellular network not available in all areas and/or available at all times. Cellular network not available in Guam, Puerto Rico, U.S. Virgin Islands, Saipan or American Samoa. Cellular technology is evolving, and changes to cellular networks provided by independent companies are not within INFINITI's or Sirius XM Connected Vehicle Service's Inc.'s control. Certain vehicle services, including Google™ compatible services, provided by independent companies are not within INFINITI's or SiriusXM's control and are subject to change without notice or liability to INFINITI, its affiliates and agents or SiriusXM. Like other devices that rely on network coverage, once the network service is discontinued, INFINITI InTouch Services will not function without equipment replacements, upgrades, or alternative network coverage, which neither INFINITI nor Sirius XM can guarantee. INFINITI and Sirius XM are not responsible for associated costs that may be required for continued operation due to cellular network termination (including equipment upgrades, if available, or roaming charges on alternative networks). 6 month trial subscription begins on your date of purchase or lease of your new INFINITI. Subsequently, your credit card (if on file) will be charged at the then current subscription rate and your service will renew automatically under the terms of your subscription. Standard text rates and/or data usage may apply. Terms and Conditions of Subscription Agreement apply. See www.infinitusa.com/intouch for more information. 14 Blind Spot Warning is not a substitute for proper lane change procedures. The system will not prevent contact with other vehicles or accidents. It may not detect every vehicle or object around you. 15 Lane Departure Warning System operates only when the lane markings are clearly visible. Speed limitations apply. See Owner's Manual for details. 16 FEB cannot prevent accidents due to carelessness or dangerous driving techniques. It may not provide warning or braking in certain conditions. Speed limitations apply. 17 Intelligent Cruise Control is not a collision avoidance system or warning device. Designed to use limited braking. Failure to apply the brakes could result in an accident. 18 Covered by INFINITI's Limited Warranty on Genuine INFINITI Accessories for the longer of 12 months/12,000 miles (whichever is earlier) or the remaining period under the 4-year/60,000-mile INFINITI New Vehicle Limited Warranty. Terms and conditions apply. See Warranty Information Booklet for details. 19 Driving is serious business and requires your full attention. Only use INFINITI WiFi powered by Autonet Mobile when safe to do so. Only available on select models. See <http://infinitwifi.us> for complete availability details. INFINITI WiFi requires compatible cellular network provided by Autonet, the absence of which can limit or prevent the ability of INFINITI WiFi. Cellular network not available in all areas and/or at all times. Technology is evolving, and changes to cellular networks provided by independent companies or other third party changes that impact INFINITI WiFi are not within INFINITI's control. Should a third party or Autonet Mobile terminate or make changes that impact the service, service may be terminated without notice and INFINITI shall have no liability. Enrollment and Subscription Agreement is required to receive INFINITI WiFi through Autonet Mobile. Terms and conditions of Subscription Agreement apply.

Bose is a registered trademark of Bose Corporation. Bluetooth is a registered trademark of Bluetooth SIG, Inc.