

LOTUS ENGINES

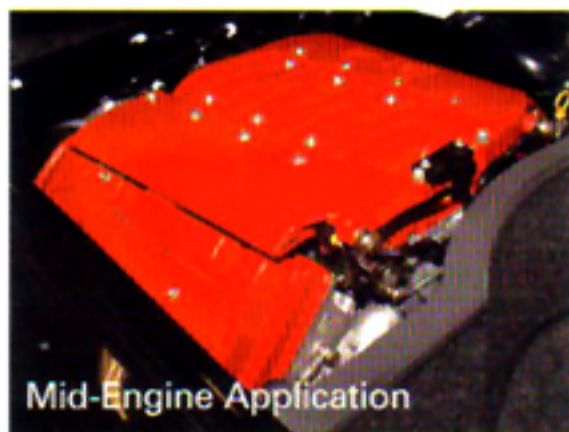
1/8

LOTUS





# Lotus - engineering excellence



Mid-Engine Application

The Lotus V8 engine is designed for installation in the 175 mph Lotus Esprit. The optimised light weight and compact size of the Lotus V8 engine provides a

versatile power unit. Lotus in England carried out the complete engineering program using advanced design analysis techniques and supplier enrolment at the concept stage. This creates a specification built on a broad base of knowledge and experience. Lotus has 50 years history in high performance engine and vehicle design for both Lotus Cars and many major automotive manufacturers.

The Type 918 engine is a 32 valve, 3.5 litre, all Aluminium, 90° V8 and features:

- Front and Mid-engine application
- Designed for low hood lines
- Lotus designed Engine Control Unit (ECU)
- EGR
- Secondary Air Injection
- On Board Diagnostic (OBD II)

Designed as a twin-turbocharged unit, it has Intercooling, Naturally Aspirated and Motorsport options. Its impressive torque curve guarantees maximum overtaking ability and, in the Esprit, a 0 to 60 mph time of under 5 seconds, while achieving all European and Federal emission and diagnostic requirements.

The turbocharged engine is designed to achieve a minimum weight (less than 214 kg (dry), including all ancillaries and wiring loom) and to fit within a package size of 580 mm (l) x 710 mm (b) x 610mm (h).

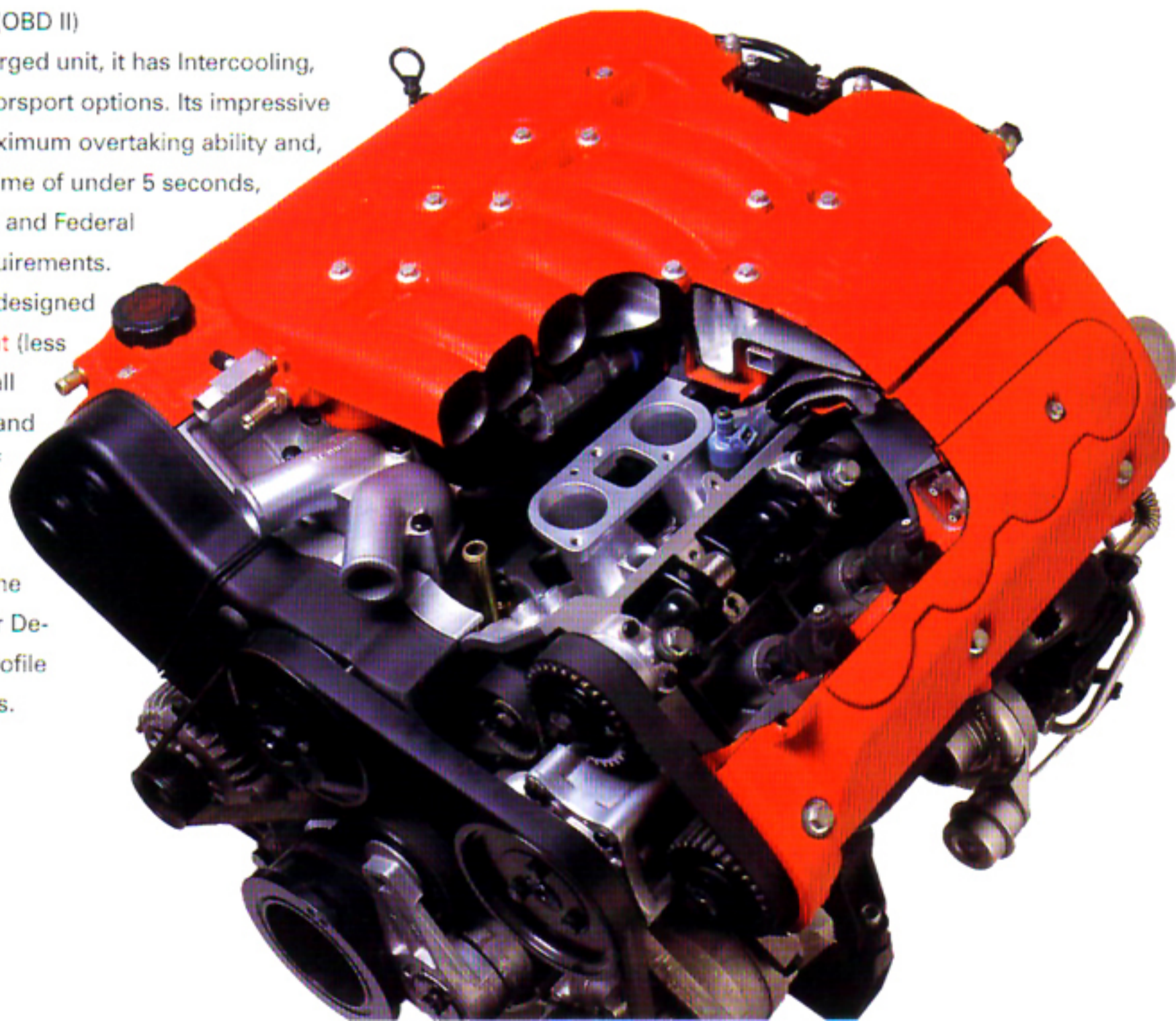
The design is protected for the application of Lotus' Cylinder De-Activation (CDA) and Cam Profile Switching (CPS) technologies.

Other potential variants of the engine include 280 bhp naturally aspirated, and 420 bhp intercooled versions. By turbocharging and intercooling for motorsport applications, the engine in the Esprit GT1 car produces (with restrictors) over 530 bhp. In unrestricted form, the engine has been developed to produce in excess of 600 bhp.

After 3 years production exclusively in the Lotus Esprit V8, this engine is now available for other applications to your requirements. We offer:

- Full service support
- Adaptation
- Installation
- Homologation
- Development support
- Warranty
- Spares and Service

including, if required, Technology Transfer and Training.



## Lotus Type 918 Engine – Specifications



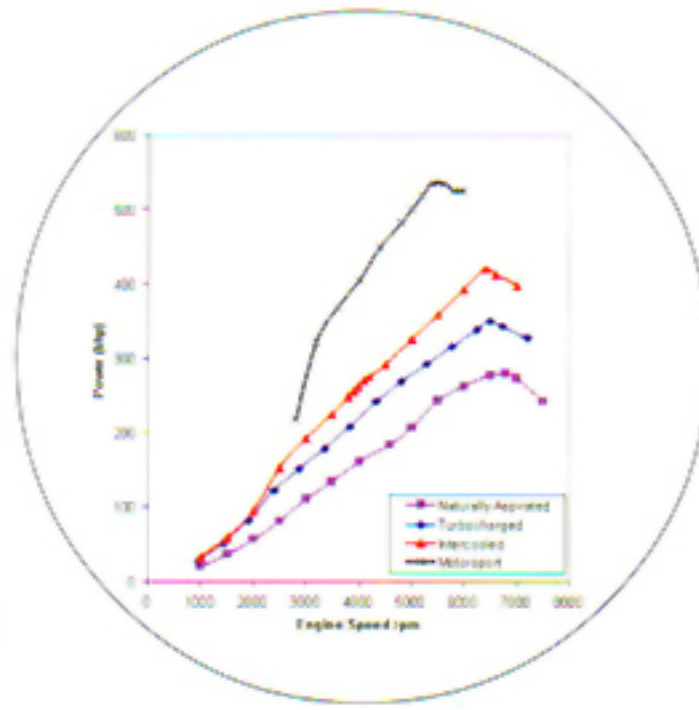
- ✦ Bore: 83 mm
- ✦ Stroke: 81 mm
- ✦ Capacity: 3506 cc
- ✦ Weight: (turbocharged) 214 kg (dry), 227 kg (wet) – including all ancillaries, wiring loom and clutch

### Maximum Power:

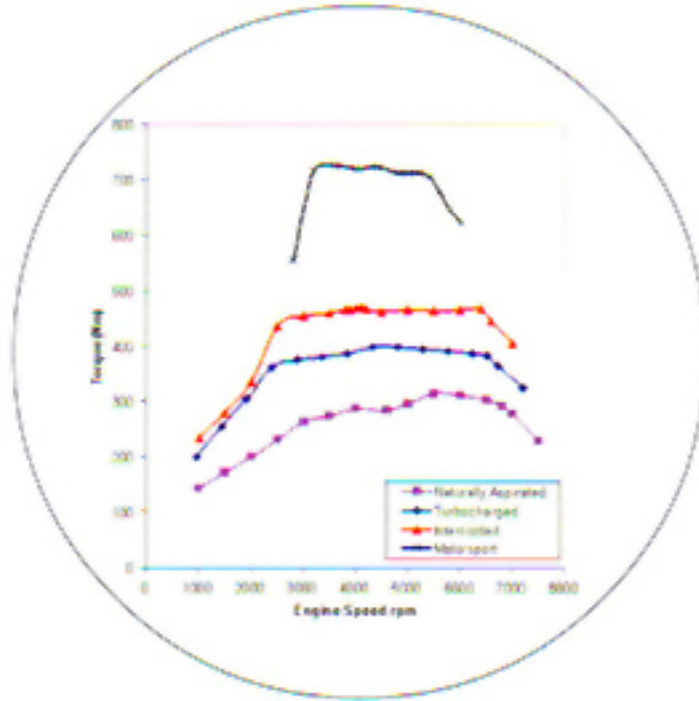
- ✦ Naturally Aspirated 280 bhp (209 kW) @ 6800 rpm
- ✦ Turbocharged 350 bhp (260 kW) @ 6500 rpm
- ✦ Intercooled 420 bhp (313 kW) @ 6400 rpm
- ✦ Motorsport (restricted) 536 bhp (400 kW) @ 5400 rpm

### Maximum Torque:

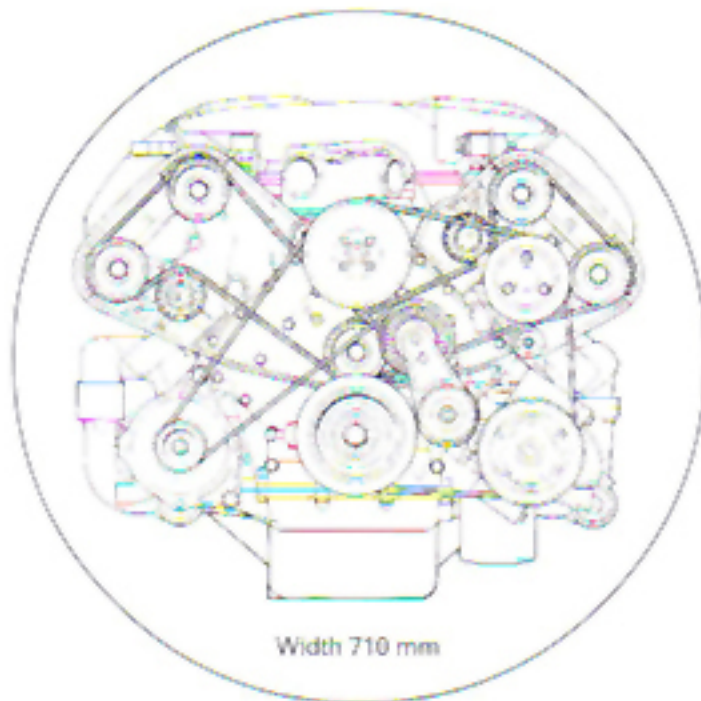
- ✦ Naturally Aspirated 232 lb.ft (315 Nm) @ 5500 rpm
- ✦ Turbocharged 295 lb.ft (400 Nm) @ 4320 rpm
- ✦ Intercooled 347 lb.ft (470 Nm) @ 4100 rpm
- ✦ Motorsport (restricted) 536 lb.ft (727 Nm) @ 3600 rpm



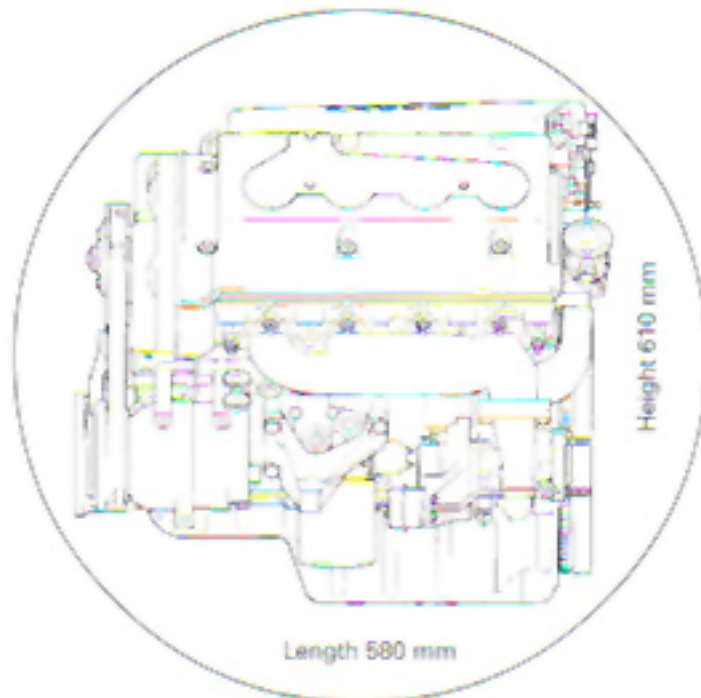
POWER



TORQUE



FRONT VIEW



SIDE VIEW



For further information  
please contact:

David Whitehead

**LOTUS ENGINEERING**

Hethel, Norwich

Norfolk NR14 8EZ

England

Tel: +44 (0)1953 608000

Fax: +44 (0)1953 608300

Website: [www.lotuseng.com](http://www.lotuseng.com)

Business Development e-mail:

[engsales@lotuscars.co.uk](mailto:engsales@lotuscars.co.uk)



A6574  
ISO 9001  
QS 9000