

A tribute to a legend

7.22 a.m., May 1, 1955

Start of the Mille Miglia in Brescia, Italy

The Mercedes-Benz 300 SLR racing sports car is ready for the off. The number on its bonnet is the same as the start time. At the wheel is Stirling Moss, an Englishman with motor racing in his blood. Sitting next to him, his navigator, motorsport journalist Denis Jenkinson, will for once be lost for words as he uses hand signals to guide him over the gruelling 1000-mile route. After flying along the dusty Italian roads at an average speed of 157.6 km/h, they are back in Brescia to take the chequered flag just 10 hours, 7 minutes and 48 seconds later – a record which has never been beaten.

51 years later: September 28, 2006

The Paris International Motor Show

The 722 is back. This time, the number adorns the Silver Arrow of the 21st century, which is now more avant-garde, more distinctive and sportier than ever. The Mercedes-Benz SLR McLaren 722 Edition – a fitting tribute to the Mercedes-Benz 300 SLR racing sports car and its drivers.



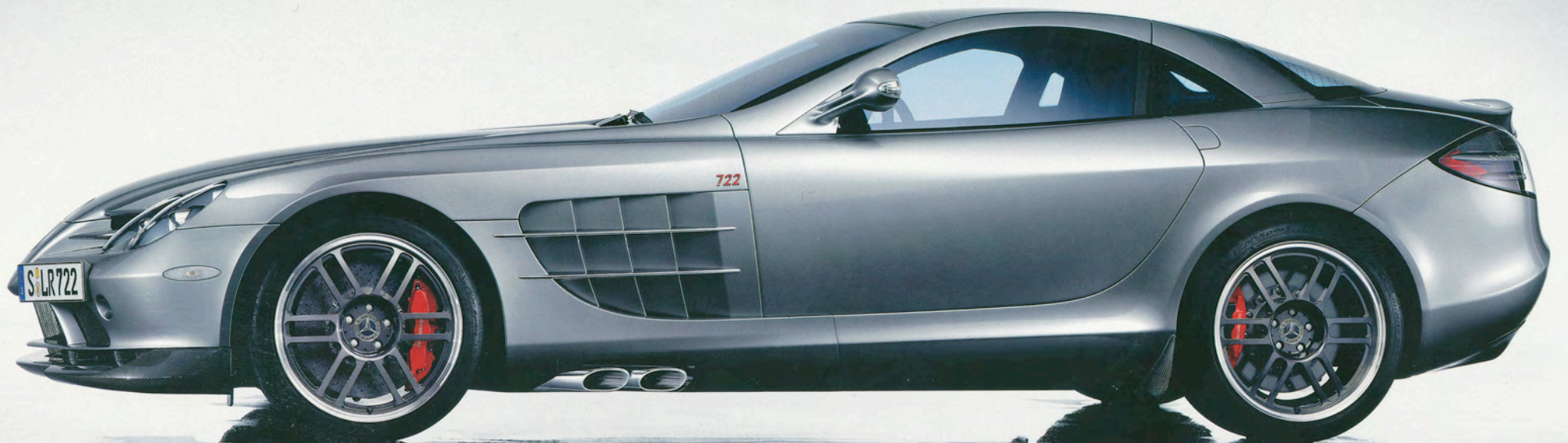
722. The number which embodies the spirit of the Mille Miglia



With its characteristic design and prodigious performance, the Mercedes-Benz SLR 722 Edition follows faithfully in the great tradition established by its legendary predecessor. At the same time, it draws on the power and capabilities of 21st century technology to offer a contemporary interpretation of its proud heritage.

The SLR 722 Edition is a vehicle with a powerful heart – and a soul to match: its high-performance powerplant testifies to its athletic, sporty character. And with its engine output now increased to 650 hp/478 kW, it can carry you into a new dimension of driving pleasure faster than ever.

The body of the SLR 722 Edition has been lowered by 10 mm to give further emphasis to the vehicle's dynamic character: this is part of a series of measures – the others being the new airsplitter at the front and the airbrake angle which has been optimised to provide greater downforce – which act in concert to enhance cornering, increase lateral acceleration and so deliver even better handling. In keeping with the character of the vehicle, the suspension set-up has been made firmer deliberately.



722

S-LR722

153

You can look at performance from many angles. This is a particularly attractive one



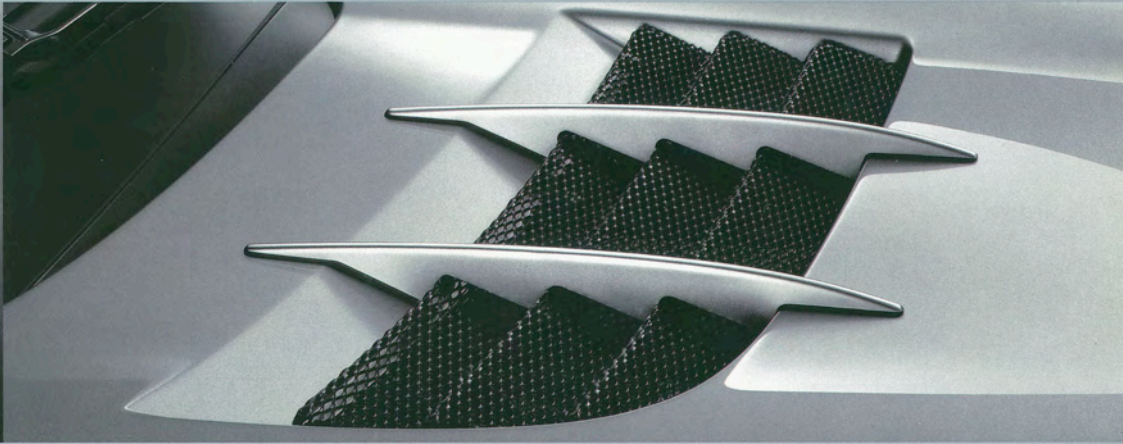
The unique character of the SLR 722 Edition is also very much in evidence when the vehicle is viewed from the side. There are sound technical reasons for the uncompromisingly functional appearance of the distinctive forged aluminium 19-inch wheels: their low weight reduces the unsprung masses, thereby improving the vehicle's damping characteristics. Similarly, the increased diameter of the wheels allows larger front brake discs to be fitted (their diameter is now 390 mm). As a result, the SLR 722 Edition delivers stopping power which is every bit as impressive as its acceleration.

The high performance of the wheel and brake components is not something which only the driver can appreciate – it is visible, too: the fiery red paint finish of the brake callipers signals the vehicle's spirited character, agility and dynamism. No-one who sees the pure, clean styling of the rim spider in palladium grey and the silver-painted rim flange will be left in any doubt as to the capabilities of the SLR 722 Edition. As befits a vehicle which embodies the best in contemporary lifestyle values, the engineering details are implemented with a breathtakingly attractive design treatment.

The "722" numbering on each side of this super sports car sends an unmistakable message: performance counts.



The eyes have it

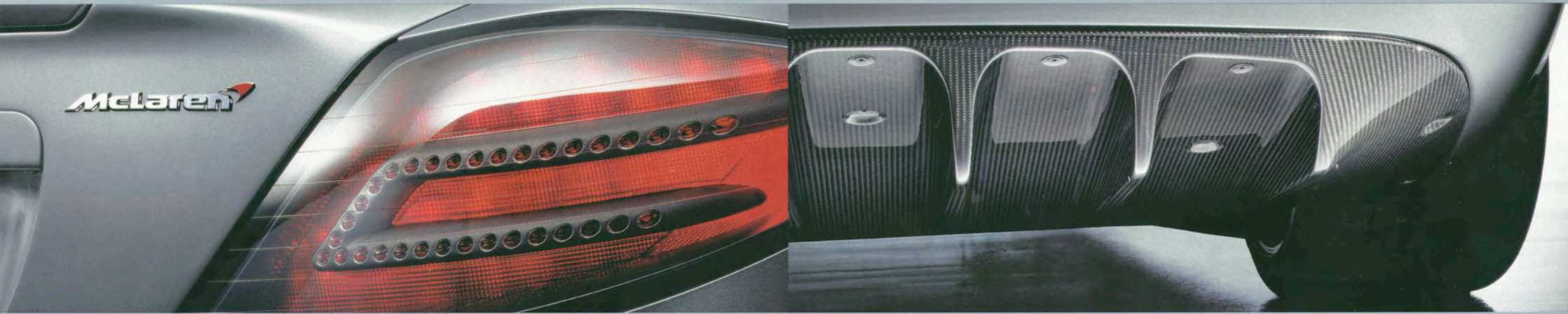


Distinctive and distinguished, the face of the SLR 722 Edition incorporates carefully designed technical details which emphasise the car's forceful character succinctly and give it an incisive expression. The striking form of the airsplitter, with its lacquered, visible carbon fibre surface, increases the downforce on the vehicle at the front and thus makes for even more precise handling at high speeds.

The styling cue provided by the visible carbon fibre of the airsplitter is picked up by the exclusive colour scheme of the SLR 722 Edition. Mesh-type black-painted air outlets on the engine bonnet and palladium grey headlamp surrounds pick up the nuances of colour which are such a feature of carbon fibre. The crystal antimony grey paint finish enhances this play of colours with a real sense of three-dimensional depth and a particularly intense surface structure. The overall effect of these characteristics is to create an irresistibly compelling aura of sportiness, strength and self-assurance.



A perfect conclusion



The rear section features the same eloquent design vocabulary which characterises the rest of the vehicle. Carefully chosen materials, the rigorous subordination of form to function and the superbly assured lines give the SLR 722 Edition its distinctive appearance.

Optimum aerodynamics and traction are provided by a perfectly coordinated team comprising the diffuser, which is made from visible carbon fibre, and the airbrake, whose effect has been upgraded to accommodate the sportier performance of the SLR 722 Edition. A modified deployment angle generates more downforce and so offers even greater directional stability and road

adhesion as well as even better braking performance – factors which also help to enhance the SLR's already exemplary handling safety. Further refinements to the vehicle's aerodynamics have been made in the area of the rear wheel arches, where wheel spoilers in visible carbon fibre reduce eddying.

A masterful variation on the carbon-fibre theme adds the perfect finishing touch to the rear of the SLR 722 Edition: darkened rear lights with palladium grey indicator modules and modified reversing lights with smoked glass lenses, like that of the third brake light, harmonise perfectly with the look of the diffuser.



722

SRS

SLR

Sportswear that is tailored to perfection



With its contemporary elegance and refined choice of materials, the SLR 722 Edition sets new standards for interior design in the super sports car segment. The seats, for example, are upholstered in black semi-aniline leather with a central panel of Alcantara, whose special characteristics offer excellent thermal comfort and a high degree of lateral support. Deliberately conspicuous stitching in 300 SL red, the embossed “722” on the head restraints and the red seat belts provide striking and stylish highlights.

Featuring also on the roof lining and the door panels, the attractive combination of semi-aniline leather and Alcantara defines the look and feel of the interior. By contrast, another variety of high-quality leather is

used to trim other elements – especially those associated with controls which are used particularly actively: the shift lever and gaiter, the handbrake lever and gaiter and the interior door handles are covered in suede which is noted for its good grip and moisture-absorbing properties.

It is only logical that the sporty philosophy which characterises the vehicle’s appointments should extend to the use of carbon fibre in the interior. This high-tech material gives the centre console of the SLR 722 Edition an appropriately clean-cut and sporty look. A “722 Edition” badge to the rear of the shift lever sets the seal on the exclusive identity of the vehicle.



SLR

T22 EDITION

SRS AIRBAG

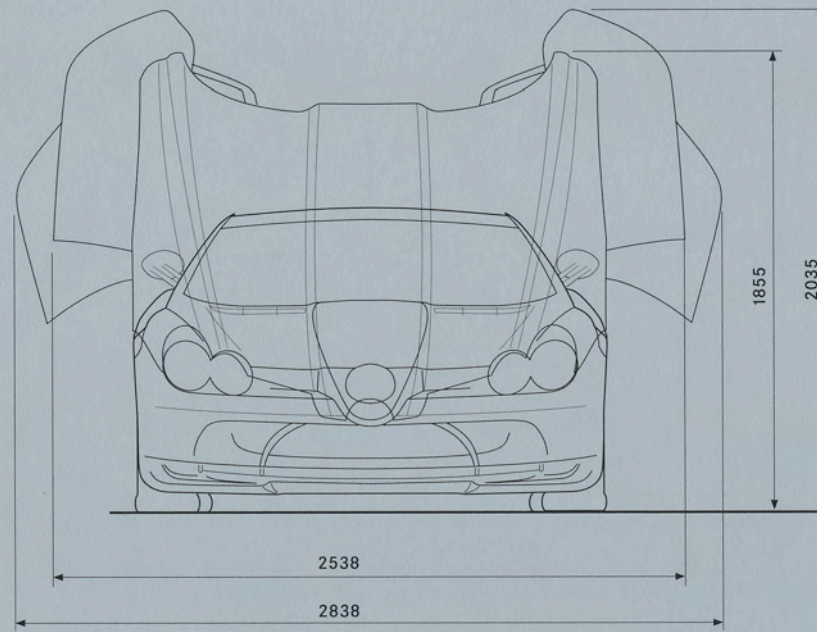
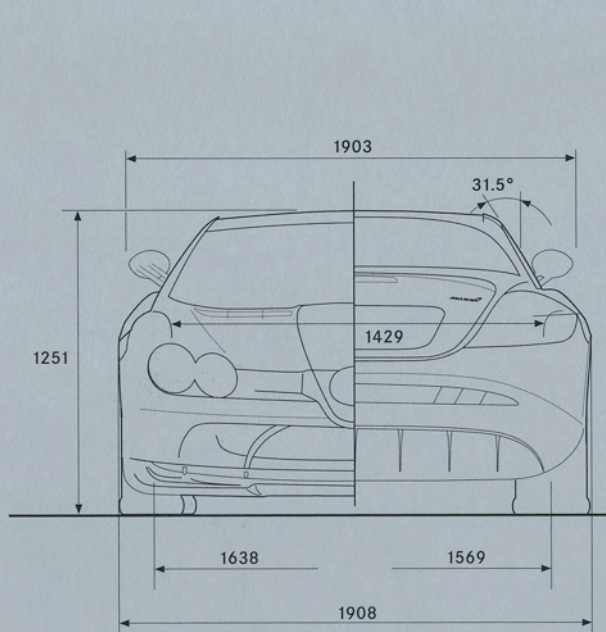
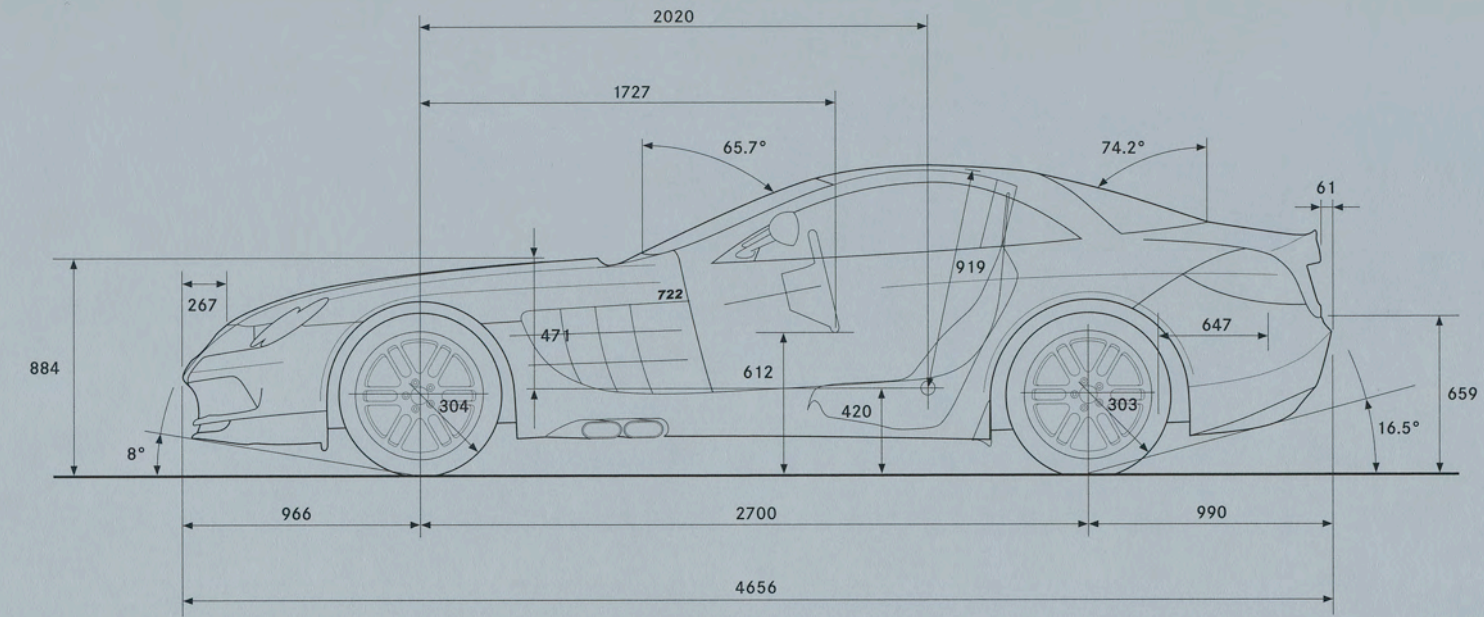
Supreme performance is all about focusing on the essentials



Lean, assured and agile – the SLR 722 Edition has been stripped of excess weight wherever possible: for example, the boot lining and the insulation in the stowage compartment have been reduced to the minimum. Visible carbon fibre in the footwells and in the area of the rear wheel arches conveys a sense of uncompromising sportiness. The restyled instrument block helps the driver focus on the essentials: the dials of the classic chronometer-style instruments have a signal red background and an AMG RACETIMER brings an additional dimension of dynamic involvement to the driving experience.

The design and features of the steering wheel reflect the importance of its role as a key interface between driver and vehicle: the combination of leather and suede on the rim offers particularly good grip – an important factor in ensuring perfect control at high speeds. Wheel-mounted shift paddles, which always fall to hand perfectly, reconcile the world of motorsport with contemporary design principles.

Designed to make an uncompromisingly distinctive statement, the SLR 722 Edition uses contemporary design and technology to perpetuate the aura of the legendary 300 SLR driven by Stirling Moss. Above all, it is resolutely authentic.



All figures in mm. The dimensions shown are mean values and apply to standard-specification, unladen vehicles

Figures. Data. Performance

No. and arrangement of cylinders	8/V
Bore/stroke (mm)	97.0/92.0
Total displacement (cc)	5439
Rated output (kW at rpm) ¹	478/6500
Rated torque (Nm at rpm) ¹	820/3250-5000
Compression ratio	8.8:1
Acceleration 0 - 100 km/h (s)	3.6
Acceleration 0 - 200 km/h (s)	10.2
Acceleration 0 - 300 km/h (s)	28.0
Top speed, approx. (km/h)	337
Tyre size front	255/35 ZR 19
rear	295/30 ZR 19
Fuel	Super Plus unleaded as per DIN EN 228 ³

Fuel consumption (l/100 km) ⁴	
urban	20.9 ²
extra-urban	10.8 ²
combined	14.5 ²
CO ₂ emissions (g/km) ⁴	348 ²
Tank capacity (l)	97
incl. reserve	10
Turning circle diameter (m)	12.2
Luggage capacity (l)	272
Rear stowage box, approx. capacity (l)	40
Kerb weight (kg) ⁵	1724
Permissible GVW (kg)	1940

¹ Figures according to Directive 80/1269/EEC, amended by 1999/99/EC

² Provisional figures

³ Premium unleaded may also be used but will not permit the vehicle to attain its maximum performance

⁴ The figures shown were obtained in accordance with the prescribed measuring process (Directive 80/1268/EEC in the currently applicable version). The figures are not based on an individual model and do not constitute part of the product offer; they are provided solely for purposes of comparison between different vehicle models

⁵ Figures according to Directive 92/21/EC, amended by 95/48/EC (kerb weight with fuel tank 90% full, driver, 68 kg, and luggage, 7 kg) for standard-specification vehicles. Optional extras and accessories will generally increase this figure and reduce the payload accordingly

Mercedes-Benz SLR McLaren 722 Edition

Prices valid from July 11, 2006

		List price without VAT ex factory EUR	Sales price incl. 16 % VAT ex factory EUR
Standard equipment	Code		
Mercedes-Benz SLR McLaren 722 Edition	952	400,000	464,000

Over and above the equipment of the Mercedes-Benz SLR McLaren, the standard version of the 722 Edition sports package comprises the following items:

Exterior

19-inch wheels in forged aluminium
(rim spider painted in palladium grey, rim flange painted in silver)
Brake system, 19 inches, with red brake callipers
Crystal antimony grey paint finish
Darkened rear lights with indicator modules painted in palladium grey
Headlamp surrounds painted in palladium grey
Increased engine output (650 hp/478 kW)
Mesh-type bonnet air outlets (black)
Modified airbrake deployment angle
Modified airsplitter (visible carbon fibre, lacquered)
Modified design of reversing lights
Rear wheel spoilers (visible carbon fibre, lacquered)
Sporty damper set-up (incl. 10 mm reduction in body height)
"722" numbering on the side of both front wings;
"McLaren" lettering on boot lid
Visible carbon fibre diffuser

Interior

"722" embossed on head restraints
Black carbon-fibre interior
Footwells and rear wheel arches in boot (visible carbon fibre, lacquered)
Interior badge with lettering "722 Edition"
Modified design of instrument block with AMG RACETIMER
Red seat belts
Sports steering wheel (steering wheel rim featuring combination of leather and suede) with shift paddles fitted on steering wheel
Stitching in contrasting 300 SL red, modified scope
Suede trim (on shift lever, handbrake lever, shift and handbrake gaiters, interior door handles)
Upholstery in semi-aniline leather in combination with Alcantara, black (incl. Alcantara on centre of seat cushions, roof liner and upper section of door trim panels)

SLR. UNLIMITED. Dimensions

The SLR. UNLIMITED. Dimensions individualisation range enables the standard equipment of the Mercedes-Benz SLR McLaren 722 Edition to be enhanced with the following optional extras:

	Code	List price without VAT ex factory EUR	Sales price incl. 16 % VAT ex factory EUR
Exterior			
Numberplate holder fitted at front	602	-	-
Interior			
Omission of footwells in visible carbon fibre	U85	-	-
CD changer (6 disc)	819	-	-
Mercedes-Benz telephone (Standard) with hands-free function and aerial ¹	853	-	-
Pre-installation for mobile phone with universal interface ²	386	-	-

¹Not in combination with pre-installation for mobile phone

²The relevant cradles (for different makes of phone) are available from Mercedes-Benz Accessories.
Further details are available from your Personal Liaison Manager

All sales prices quoted are ex factory prices for vehicles with standard specification. If delivery is made to another location, delivery charges will be made.

The sales prices for SLR. UNLIMITED. Dimensions apply only to factory-fitted items. The manufacturer reserves the right to make changes to design and specification. No responsibility can be accepted by the manufacturer for factual errors or printing errors in this publication.

DaimlerChrysler AG, Stuttgart VP/VG 0260 · 0706/83 · Edition 1 Printed in Federal Republic of Germany

www.mercedes-benz.com/slr-unlimited



Mercedes-Benz

At the end of its long life, you can return your Mercedes-Benz SLR McLaren 722 Edition to us for environment-friendly disposal in accordance with the EC End-Of-Life Vehicle Directive¹.
But that day lies a long way off.

¹Applies in accordance with national regulations to vehicles up to 3.5t permissible gross weight. Mercedes-Benz passenger cars have met the statutory regulations governing the suitability of their design for reuse and recycling for a number of years now. A network of vehicle take-back depots and dismantlers has been established which will process your vehicle in an environment-friendly manner. The ways in which both vehicles and parts can be recovered are subject to ongoing development and improvement. Consequently, the Mercedes-Benz SLR McLaren 722 Edition will be able to comply with any future increases in the recycling quota within the stipulated time limits. Further information is available by calling 00800 1 777 7777.

Please note: changes may have been made to the product since this brochure went to press (19.04.2006). The manufacturer reserves the right to make changes to the design, form, colour and specification during the delivery period, provided these changes, while taking into account the interests of the vendor, can be deemed reasonable with respect to the purchaser. Where the vendor or the manufacturer uses symbols or numbers to describe an order or the subject of an order, no rights may be derived solely from these. The illustrations may show accessories and items of optional equipment which are not part of standard specification. Colours may differ slightly from those shown in the brochure, owing to the limitations of the printing process. This brochure may also contain information about models and services which are not available in certain countries. Information given regarding statutory regulations, legal requirements and taxation applies only to the Federal Republic of Germany. Please consult your Personal Liaison Manager for latest details of local provisions.

DaimlerChrysler AG, Stuttgart MKP/K 1730 · 7030 · 02-00/0706 Printed in Federal Republic of Germany/Imprimé en République fédérale d'Allemagne
www.mercedes-benz.com



Mercedes-Benz