



SATURN

VUE



2007

LIKE ALWAYS.

There is a way to do things differently. To replace hassle and haggle with learn and listen. To make the process of buying a car less of a process. To pour everything we have into everything we do.



THE SATURN VUE: LIKE NEVER BEFORE.

There is a way to drive an SUV that champions your point of view. To afford the practicality of a hybrid. To hear your MP3s through a six-speaker sound system. There is a way to get an e-mail from your SUV telling you it's due for an oil change. And there is a way to get all of this, all in one SUV. The 2007 VUE.

LIKE NEVER BEFORE.

There is a way to stay the same in one way, and evolve in another. To marry horsepower with efficiency, and beauty with affordability. To make it both thoughtful and surprising. There is a way to kick compromise to the curb.



THE VUE GREEN LINE: GOING GREEN SHOULDN'T MEAN GOING BROKE.



The VUE Green Line in Cypress Green, displaying the back half of its front and rear chrome skid plates. See the front at saturn.com/vuegreen.

4

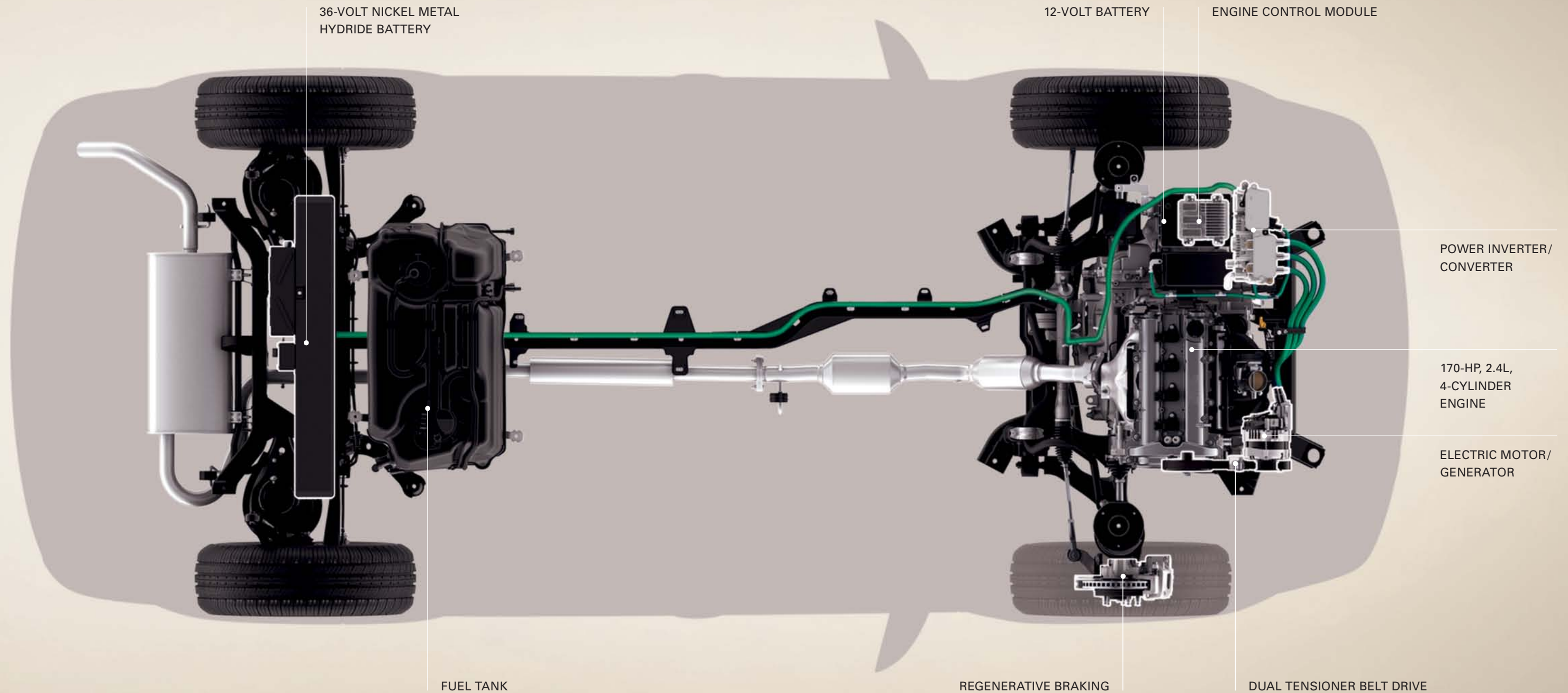


To make it easier for everyone to own a hybrid, Saturn engineers developed a system that's both elegantly simple and remarkably affordable. The result is a VUE that gets an estimated 32 miles per gallon*—the best highway mileage of any SUV—and still delivers a seamless driving experience. The engine pauses when you brake, the hybrid battery boosts power when you accelerate and charges when you decelerate or drive at cruising speeds. The Charge/Assist gauge shows whether the system is charging the hybrid battery or providing a power boost. To improve aerodynamics and reduce rolling resistance, we lowered the body and added a rear spoiler and tires designed for efficiency. Of course, one of its best features is its affordable price. It's a simple solution for those of us who want to drive—and drive in the right direction. Take it for a spin at saturn.com/vuegreen.



*Based on EPA estimates.

NEW UNDER THE HOOD, FAMILIAR BEHIND THE WHEEL.



AT A COMPLETE STOP, the VUE Green Line's 36-volt battery powers the vehicle accessories, allowing the gas engine to shut off and save fuel.*

TAKE YOUR FOOT OFF THE BRAKE, and with assistance from the belt drive, the electric motor starts the gas engine automatically and gets you moving immediately.

STEP ON THE ACCELERATOR and the fuel turns on instantly, allowing electric motor power to combine with gas engine power as needed, bringing you up to speed.

FOR EXTRA POWER to merge or pass, the electric motor once again combines with the gas engine to reach peak power quickly.

INTELLIGENT CHARGING means the system automatically recognizes the most efficient time for the power inverter/ converter to recharge the 36-volt and 12-volt batteries, which is often while cruising and when the gas engine is powering the vehicle.

DURING BRAKING and vehicle deceleration, fuel is turned off and the 36-volt battery powers vehicle accessories.

TORQUE AND POWER are managed by the engine control module software for smooth, seamless driving.

REGENERATIVE BRAKING converts the VUE's kinetic energy into electrical energy and stores it in the 36-volt battery.

See the online demonstration at saturn.com/vuegreen to get a more animated sense of the VUE Green Line driving experience.

*EPA estimated MPG 27 city/32 highway.

FITS IN SMALL SPACES, THRIVES IN
WIDE-OPEN PLACES.



8 The VUE AWD V6 shown in Chili Pepper Red with retailer-installed roof rack cross bars, side step bars and available Chrome Package featuring foglamps and front and rear chrome skid plates.



The VUE AWD V6 with Gray Leather Appointments and other available features. Take a look around the VUE's interior with a 360-degree close-up tour at saturn.com/vue. Don't forget to look in the glove compartment.



The VUE AWD V6 with CD player and standard steering wheel audio controls.
12 Turn on the radio at saturn.com/vue.



GETTING THERE
CAN BE AS GOOD
AS BEING THERE.

The destination may be miles away, but in the VUE the good times are within inches. At your fingertips you'll find steering wheel audio controls for the standard CD stereo. Choose the available Saturn Advanced Audio System,¹ and every note is powered by a 180-watt external amplifier pumping six premium speakers. Or plug an MP3 player² into the built-in auxiliary jack to enjoy your own playlists. You can recharge that player or other accessories with three included 12-volt outlets, front and rear. Because the VUE is about expanding possibilities, XM Satellite Radio³ is also available. It brings you more than 170 channels, including news, sports, talk, comedy, traffic, weather and commercial-free music—all broadcasting coast-to-coast. And to keep your back seat passengers from becoming back seat drivers, the available DVD player is just the thing to keep their eyes off the road. Visit saturn.com/vue to see how easily the screen appears.



¹Not available on the VUE Green Line. ²MP3 player and accessories not included. ³Available in the 48 contiguous United States. Service fees apply. Visit gm.xradio.com for details.

LOOK FOR AN SUV THAT LOOKS OUT FOR YOU.

PRIVACY GLASS makes it difficult to spot valuable gear stored in the cargo area.

ONSTAR® uses remote diagnostics to check key operating systems about once a month, then e-mails the results to you.*

THEFT DETERRENT immobilizes the car by cutting off fuel unless the proper key is used.

DUST AND POLLEN FILTER keeps the air inside fresher than the air outside.

BATTERY RUN-DOWN PROTECTION prevents power drain by turning off any interior lights left on inadvertently.

DAYTIME RUNNING LAMPS are designed to help make you more visible to other drivers from farther away.

FLAT-TOWABLE to bring along behind your larger vehicle on road trips.

LOW LIFT-OVER HEIGHT and liftgate lights make it easier to load cargo day or night.

POLYMER PANELS are dent- and corrosion-resistant to stand up to door dings.

PRETENSIONERS reduce safety belt slack to help keep front seat occupants against their seats during a collision.

ANTI-LOCKOUT POWER LOCKS thoughtfully lock yourself out with the keys in the ignition.

SIDE IMPACT CROSSBARS provide additional reinforcement for extra protection during lateral collisions.

The VUE AWD V6 shown with available roof rails.

*Call 1-888-4ONSTAR (1-888-466-7827), visit onstar.com and see inside back cover for system limitations and details. Diagnostic services vary for the VUE.



YOU'RE FREE TO WANDER, BUT YOUR GEAR KNOWS ITS PLACE.

If you feel like you've earned an SUV that earns its keep, consider the VUE's utilitarian talents. When equipped with the robust 248-horsepower V-6, the VUE can tow up to 3,500 pounds.¹ For lighter loads, Saturn retailers can outfit you with roof rack cross bars to make the most of the space inside—and there's a lot of it. The 70/30-split rear seats make room for items up to eight feet long once you've folded down the front passenger seat.² Smaller stuff is no less important, so there's hidden console storage, handy cargo bins and a rear cargo organizer that keeps bags and their contents in place, instead of all over the place. See the cargo capabilities in action at saturn.com/vue.



The VUE AWD V6 shown in Chili Pepper Red with retailer-installed roof rack cross bars and side step bars, plus available Chrome Package. 17

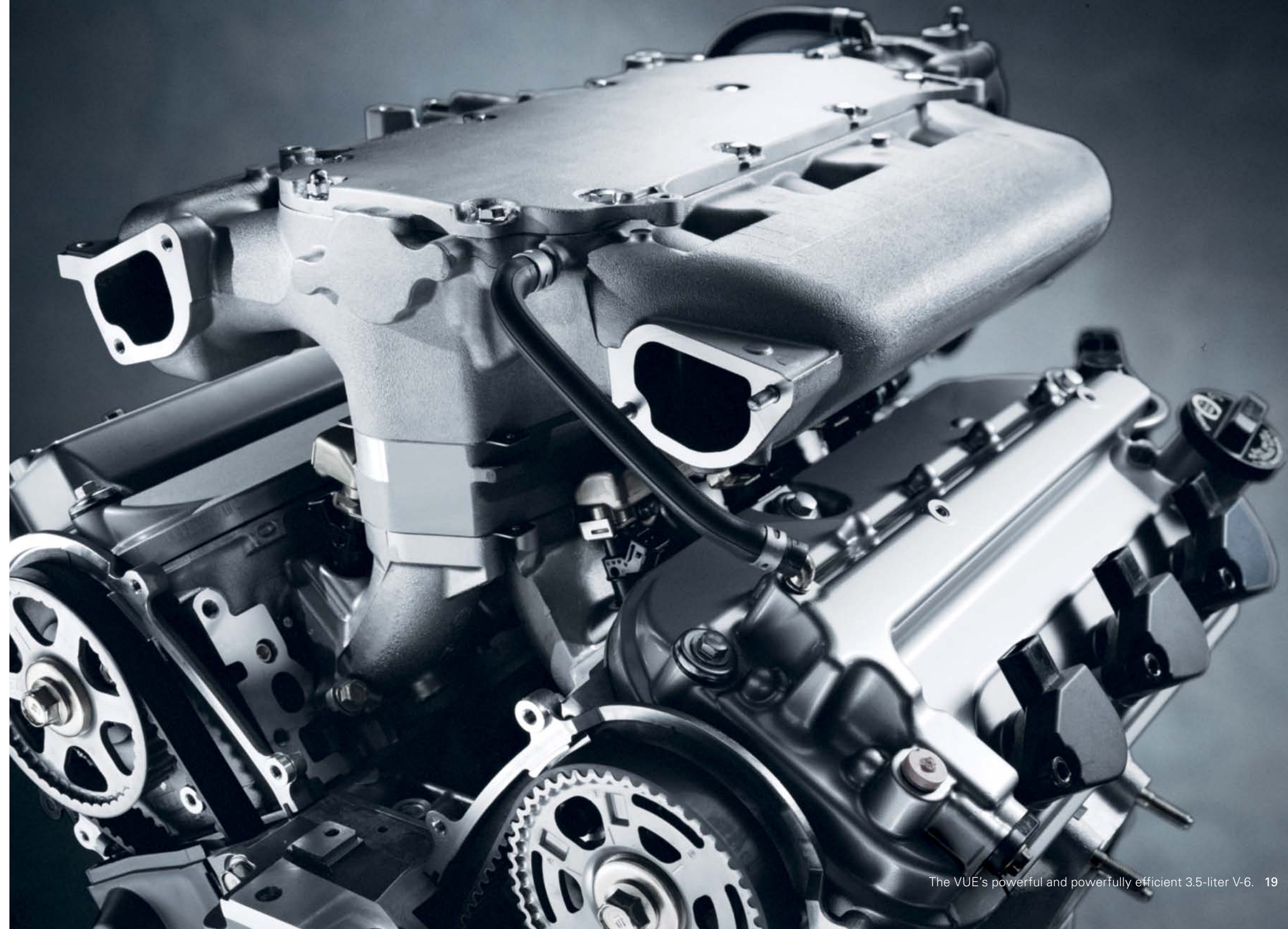
¹Maximum trailer ratings are calculated assuming a properly equipped base vehicle plus driver. Towing capacity is not applicable to VUE Red Line models. See specifications page for details.
²Cargo and load capacity limited by weight and distribution.



BUILD YOUR VUE at saturn.com/vue, where you can choose a hybrid or standard powertrain, transmission and front- or all-wheel drive.

This is brwn with brains. The VUE's 248-horsepower 3.5-liter V-6 benefits from the accuracy of electronic throttle control combined with lightweight aluminum construction to give you extra confidence in the passing lane. If you're focused on efficiency alone, the 144-horsepower, 2.2-liter, DOHC engine is specially tuned for the stop-and-start driving you experience around town. It features aluminum construction and twin balance shafts for smoother operation. And of course, there's more than one way to get power to your wheels: the standard 5-speed manual transmission with self-adjusting clutch, the 4-speed automatic or the available 5-speed electronic automatic transmission with Grade Logic to reduce gear hunting. For more details on the VUE powertrain, visit saturn.com/vue, where you can even pop the hood for a closer look.

THE POWER TO PASS SLOWER TRAFFIC,
THE INNOVATION TO PASS SERVICE STATIONS.





THE VUE RED LINE: WHEN THE S IN SUV STANDS FOR STREET.

Some SUVs are designed to get out on the trail, but the VUE Red Line is designed to stand out on the street. Big 18-inch alloy wheels on wide, low-profile tires, and dropped sport-tuned suspension keep you in touch with the pavement. The 360-degree ground effects level the VUE's look and streamline its aerodynamics. And with 248 horsepower, the engine delivers the go to match its show. Inside, the gauge cluster's spun-metal effect has a technical look typical of the Red Line. Keep looking and you'll see that the contact points of the driving experience have earned long overdue respect: The floor pedals feature gleaming chrome accents, which reflect footwell lighting that changes from warm amber to cool blue at the flip of a switch. The seats get special treatment, too. They're wrapped in sueded fabric trimmed in black leather, with front sport seat bolsters that help your body corner right along with the VUE Red Line. For a more detailed look inside and out, visit saturn.com/vueredline.



The VUE Red Line in Black Onyx with standard 18-inch wheels, a modified front grille and a command of the boulevard. 21



At Saturn, safety is more than any one thing at any one moment. It means planning how to prevent collisions, how to minimize their effects and how to maximize emergency response. For instance, every VUE is equipped with automatic halogen headlamps, which clearly illuminate the road the moment they sense low lighting conditions. Daytime running lamps are also standard, and projector-beam foglamps are available on most models. If you do need to react, your VUE's available anti-lock braking system can be matched to all-wheel drive or Traction Control to help maintain grip on slippery or uneven road surfaces. In the event of a collision, protection is provided by the impact-absorbing steel spaceframe, dual-stage front air bags¹ and available Head Curtain Side Air Bags,¹ which incorporate a rollover sensing system designed to provide greater protection in case of a rollover. And we know that when a crash is over, the emergency isn't, so we made sure that OnStar comes standard with the one-year Safe & Sound Service Plan.² OnStar can help save lives by automatically contacting local emergency services if your air bags deploy. Of course, we're not the only ones expressing confidence in the VUE—it's received the National Highway Traffic Safety Administration's³ top rating of five stars in frontal impact and side impact tests. For a complete list of the VUE's safety features, including the Passenger Sensing System, visit saturn.com/vue.



¹Air bag inflation can cause severe injury or death to anyone too close to the bag when it deploys. Be sure every occupant is properly restrained. See inside back cover for important information about air bags, including a note about child safety. ²Call 1-888-4ONSTAR (1-888-466-7827), visit onstar.com and see inside back cover for system limitations and details. ³Government star ratings are part of the National Highway Traffic Safety Administration's (NHTSA) New Car Assessment Program (NCAP). Five-star rating is for both the driver and front passenger in the frontal crash test. Visit safercar.gov for details.



THE THREE STAGES OF SAFETY:
BEFORE, DURING AND AFTER.

VUE DIMENSIONS



WEIGHTS AND CAPACITIES	FWD 4	FWD V6	AWD V6	GREEN LINE
Curb weight (lbs.), manual / automatic	3,279 / 3,345	— / 3,544	— / 3,691	— / 3,474
Passenger volume (cu. ft.)	100.3	100.3	100.3	100.3
Cargo-area volume with seatbacks up / down (cu. ft.) ¹	30.8 / 63.4	30.8 / 63.4	30.8 / 63.4	30.8 / 63.4
Fuel capacity (approx. gal.)	16.0	16.0	16.0	16.0
Towing capacity (max. lbs.) ²	1,500	3,500	3,500	1,500
Passenger seating	5	5	5	5

INTERIOR DIMENSIONS (FRONT / REAR IN.)	
Headroom	40.6 / 40.4
Legroom	41.3 / 36.5
Hip room	51.8 / 52.6
Shoulder room	54.7 / 54.7

VUE WHEELS



¹ Cargo and load capacity limited by weight and distribution. ² With a properly equipped vehicle and appropriate trailer hitch. Maximum trailer ratings are calculated assuming a properly equipped base vehicle, except for any options necessary to achieve the rating, plus driver. The weight of other optional equipment, passengers and cargo will reduce the maximum trailer weight your vehicle can tow. Towing not available with Red Line. See your Saturn retailer for details. ³ Based on EPA estimates. ⁴ Retailer-installed running boards not standard on Green Line. ⁵ Not available on Green Line or with Red Line package. ⁶ Foglamps not available on Green Line. ⁷ Not available with Red Line package. ⁸ Chrome skid plates available as separate option on FWD 4. ⁹ See inside back cover for important information about air bags, including a note about child safety. ¹⁰ Call 1-888-4ONSTAR (1-888-466-7827), visit onstar.com and see inside back cover for system limitations and details. ¹¹ Available in the 48 contiguous United States. Service fees apply. Visit gm.xradio.com for system details.

VUE SPECIFICATIONS

ENGINE AND TRANSMISSION	FWD 4	FWD V6	AWD V6	GREEN LINE
Engine	2.2-liter, DOHC, 16-valve, inline-4	3.5-liter, SOHC, 24-valve, V-6	3.5-liter, SOHC, 24-valve, V-6	2.4-liter, 16-valve, Dual VVT, inline-4
Horsepower	144 @ 5,400 rpm	248 @ 5,800 rpm	248 @ 5,800 rpm	170 @ 6,300 rpm
Torque (ft. lbs.)	152 @ 4,000 rpm	242 @ 4,500 rpm	242 @ 4,500 rpm	160 @ 4,500 rpm
Transmission (standard)	5-speed manual	5-speed automatic	5-speed automatic	4-speed automatic
Transmission (available)	4-speed automatic	—	—	—
CHASSIS				
Drivetrain	Front-engine / front-wheel drive (FWD 4 / FWD V6 / Green Line); Front-engine / all-wheel drive (AWD V6)			
Body construction	Steel spaceframe with front and rear crumple zones, side-impact protection and front and rear vibration-isolating subframes			
Suspension	Four-wheel independent with front and rear stabilizer bars			
Steering	Electric power with variable assist			
Brakes	Power-assisted ventilated front disc / rear drum			
FUEL ECONOMY ESTIMATES (CITY / HWY MPG) ³				
Manual transmission	23 / 29	—	—	—
Automatic transmission	22 / 27	20 / 28	19 / 25	27 / 32

COMFORT AND CONVENIENCE	FWD 4	FWD V6	AWD V6	GREEN LINE
70 / 30-split folding rear seatbacks and two-position reclining rear seats	•	•	•	•
Air conditioning with dust and pollen filter	•	•	•	•
Appearance Package: 16-inch alloy wheels, rear spoiler and body-color running boards ⁴	◦	—	—	•
Chrome Accessories Package: front brush guard and side step bars ⁵	◦	◦	◦	—
Chrome Package: projector-beam foglamps ⁶ and chrome skid plates, front and rear ^{7,8}	—	◦	◦	•
Comfort Package: six-way power driver's seat with adjustable lumbar support and heated front seats ⁷	◦	◦	◦	◦
Dent / corrosion-resistant bodyside panels	•	•	•	•
Flat-towable behind recreational vehicle	•	•	•	•
Fold-flat front passenger seatback with scuff-resistant back	•	•	•	•
Hybrid instrument cluster with hybrid Charge / Assist gauge and ECO light	—	—	—	•
Leather Appointments: leather-trimmed seats and leather-wrapped steering wheel	◦	◦	◦	◦
Power sunroof (not available with DVD entertainment system)	◦	◦	◦	◦
Preferred Package: power windows, door locks and sideview mirrors; remote keyless entry; automatic headlamps; auto-dimming interior rearview mirror with temperature and compass display; driver and passenger map lights; cruise control; Saturn Security System	•	•	•	•
Rear cargo organizer	•	•	•	•
Rear window washer / wiper and defogger with timer	•	•	•	•
Reclining front bucket seats with height-adjustable driver's seat and inboard fold-down armrests	•	•	•	•
Steering wheel audio controls	•	•	•	•
Three 12-volt power outlets in front and rear	•	•	•	•
SAFETY AND SECURITY				
Anti-lock brakes	—	—	•	—
Anti-lock brakes with Traction Control	◦	•	—	•
Daytime running lamps	•	•	•	•
Dual-stage driver and front passenger air bags with Passenger Sensing System ⁹	•	•	•	•
Engine-immobilizing theft-deterrent feature	•	•	•	•
Head Curtain Side Air Bags with rollover sensing system ⁹	◦	◦	◦	◦
Height-adjustable front safety belts with pretensioners and energy-absorbing retractors	•	•	•	•
OnStar [®] with one-year Safe & Sound Service Plan ¹⁰	•	•	•	•
Projector-beam foglamps	—	◦	◦	—
ENTERTAINMENT SYSTEMS				
CD player with AM / FM stereo, auxiliary input jack, six coaxial speakers and steering wheel audio controls	•	•	•	•
CD / MP3 player with AM / FM stereo, auxiliary input jack, six coaxial speakers and steering wheel audio controls	◦	◦	◦	◦
DVD entertainment system with seven-inch diagonal, flip-down LCD screen, remote control and dual wireless headphones (not available with power sunroof)	◦	◦	◦	◦
Saturn Advanced Audio System: 180-watt external amplifier, eight-inch subwoofer, six premium speakers	◦	◦	◦	—
Six-disc, in-dash CD / MP3 player with AM / FM stereo, auxiliary input jack, six coaxial speakers and steering wheel audio controls	◦	◦	◦	◦
XM Satellite Radio ¹¹	◦	◦	◦	◦
RED LINE PACKAGE				
Lowered sport-tuned suspension with performance springs and struts, 18-inch alloy wheels, fascia and side-rocker ground effects, chrome exhaust tip, black leather-trimmed sport seats with sueded fabric insert, ambient footwell lighting and chrome-accented pedals	—	◦	◦	—

• = standard ◦ = available — = not available

VUE EXTERIOR COLORS

To see the whole VUE in every color, visit saturn.com/vue.



VUE INTERIOR COLORS



VUE COLOR COMBINATIONS

For a closer look at your interior choices, see your Saturn retailer.

EXTERIOR PAINT	CLOTH	AVAILABLE LEATHER APPOINTMENTS	LEATHER TRIM / CLOTH (Red Line)
Polar White	GRAY / TAN	GRAY / TAN	—
Black Onyx	GRAY / TAN	GRAY / TAN	BLACK / BLACK
Silver Nickel	GRAY	GRAY	BLACK / BLACK
Chili Pepper Red	GRAY / TAN	GRAY / TAN	BLACK / BLACK
Storm Gray	GRAY	GRAY	—
Deep Blue	GRAY / TAN	GRAY / TAN	—
Cypress Green	GRAY / TAN	GRAY / TAN	—

¹Accessories that add weight or wind resistance to the VUE can affect its fuel economy. ²Not available on Red Line. ³Cargo and load capacity limited by weight and distribution. ⁴Not available on Green Line. ⁵Not available with DVD player. ⁶Not available on FWD 4 or Green Line.

AVAILABLE EQUIPMENT AND ACCESSORIES¹

To see the latest in VUE accessories, visit saturn.com/vue or your Saturn retailer.



AVAILABLE EQUIPMENT 1) Heated seats with two settings, for cold or ice-cold days. Part of the Comfort Package,² which also features a six-way power driver's seat with adjustable lumbar support. 2) Roof rails: Strong, so they support up to 100 pounds^{3,4}; chrome, so they support the need for style. 3) Power sunroof⁵ for sunny days, starry nights or fresh air anytime. 4) Six-disc in-dash CD/MP3 player takes up to six CDs for hours of uninterrupted music sent through six coaxial speakers. For more audio options, visit saturn.com/vue. 5) Projector-beam foglamps⁶ help you see and be seen when visibility is low. Available alone or as part of the Chrome Package.

RETAILER-INSTALLED ACCESSORIES 6) A brush guard² to acknowledge the more rugged nature of the path less traveled, on road or off. 7) Painted running boards² add a more finished look and a little extra reach when washing the car or grabbing equipment off the roof rack. 8) An interior bike rack keeps bikes safe, secure and protected from the indignities of road-blown debris. 9) A five-spoke 17-inch wheel in gleaming cast chrome reflects extra style. 10) A roof rack with attachments keeps wet, muddy gear out of your interior cargo areas. Attachments are available for most outdoor equipment.³ Visit saturn.com/vue for details. 11) The rear spoiler is matched to the body color to keep the visual flow as smooth as the wind. Standard on the VUE Green Line.



RELAY

VUE

OUTLOOK

ION quad coupe

ION sedan

SKY

AURA

START EXPECTING THE UNEXPECTED.

Never before have we offered so many different ways to drive. The newest generation of Saturn is represented by the stunning SKY[®] roadster (limited availability in 2006), also available as the SKY Red Line Turbo in autumn 2006; the distinctive 252-hp AURA[™] mid-size sedan, available autumn 2006; the roomy eight-passenger OUTLOOK[™] SUV, available winter 2006/2007; and the VUE compact SUV, available as the affordable VUE Green Line hybrid in autumn 2006. For a car that's small in size but big in features, test-drive the ION[®] sedan or ION quad coupe. And for a gratifying home away from home, look into the seven-passenger RELAY[®] van. To see more of the next generation of Saturn, visit saturn.com.



WHEN YOU GET A SATURN, YOU GET SATURN.

From the engineers who created your VUE to the Saturn team member who hands you the keys, all Saturn people consider customers the most important part of what they do. You'll feel that on your first visit to a Saturn retailer, a place that's home to people who give you much more than a car. You'll get straightforward answers. You'll get a no-hassle experience and no-haggle prices. You'll get our Vehicle Exchange Program,* giving you 30 days to make sure you feel great about your car. And most reassuring of all, you'll get as much attention after you're a Saturn owner as you did when you first walked into the showroom.

*See inside back cover for details about Saturn's 30-day Vehicle Exchange Program.

IMPORTANT WORDS ABOUT THIS CATALOG

We have tried to make this catalog comprehensive and factual. We reserve the right, however, to make changes at any time, without notice, in prices, colors, materials, equipment, specifications, models and availability. Specifications, dimensions, measurements, ratings and other numbers in this catalog and other printed materials provided at the retailer or affixed to vehicles are approximates based upon design and engineering drawings and prototypes and laboratory tests. Your vehicle may differ due to variations in manufacture and equipment. Because some information may have been updated since the time of printing, please check with your Saturn retailer for complete details. Saturn reserves the right to lengthen or shorten the model year for any product for any reason, or to start and end model years at different times.

A NOTE ABOUT AIR BAGS AND CHILD SAFETY

Always use safety belts and the correct child restraint for your child's age and size. Even in vehicles equipped with air bags and the Passenger Sensing System, children are safer when properly secured in a rear seat. Never place a rear-facing infant restraint in the front seat of any vehicle equipped with an active frontal air bag. Air bag inflation can cause severe injury or death to anyone too close to the bag when it deploys. Be sure every occupant is properly restrained. See your vehicle Owner's Handbook and child-safety seat instructions for more information.

ONSTAR INFORMATION

OnStar services require vehicle electrical system (including battery), wireless service and GPS satellite signals to be available and operating for features to function properly. OnStar acts as a link to existing emergency service providers. Subscription Service Agreement required. Call 1-888-4ONSTAR (1-888-466-7827) or visit onstar.com for OnStar's Terms and Conditions, Privacy Policy, and system limitations and details.

IMPORTANT INFORMATION ABOUT THE VUE'S SAFETY RATING

Tests based on 2006 Saturn VUE. Five-star rating is for the driver and passenger in the frontal crash test and for the front and rear occupants in the side impact crash test. Government star ratings are part of the National Highway Traffic Safety Administration's (NHTSA) New Car Assessment Program (www.safercar.gov).

SATURN'S VEHICLE EXCHANGE PROGRAM

Within the first 30 days or 1,500 miles of delivery, whichever comes first, the original purchaser may exchange his or her Saturn vehicle if not completely satisfied. In the event that an owner returns his or her vehicle, he or she will exchange it for another 2007 Saturn vehicle. See retailer for limitations and restrictions. All the same factory-supported initiatives will be included on the exchange vehicle that were on the original vehicle. The vehicle must be returned in the condition in which it was delivered, without damage or excessive wear and tear. If non-warranty repairs equal to or greater than \$300 have been performed or are necessary, the vehicle is not eligible to be returned; if less than \$300, the damage must be repaired or the estimate deducted from the credit toward the exchange vehicle.

NEW VEHICLE LIMITED WARRANTY

This warranty is for GM vehicles registered in the U.S. See your Saturn retailer for terms and conditions. Covered for 3 years/36,000 miles (whichever comes first): the complete vehicle, tires, towing to your nearest Saturn retailer, cosmetic corrosion resulting from defects, repairs made to correct any vehicle defect, with no charge for most warranty repairs. Covered for 6 years/100,000 miles (whichever comes first): rust-through corrosion.

POWERTRAIN LIMITED WARRANTY

This fully transferable warranty is for GM vehicles registered in the U.S. See your Saturn retailer for terms and conditions. Covered for 5 years/100,000 miles (whichever comes first): most engine, transmission, transfer case and axle assemblies.

ROADSIDE ASSISTANCE

For 5 years/100,000 miles (whichever comes first): 24-Hour Roadside Assistance that includes fuel delivery, lockout, flat tire repair, jump start and certain emergency towing services. This fully transferable service is for GM vehicles registered in the U.S. See your Saturn retailer for terms and conditions.

COURTESY TRANSPORTATION

For 5 years/100,000 miles (whichever comes first): ask your Saturn retailer for Courtesy Transportation if you leave your vehicle for warranty repairs. You may qualify for expense reimbursement and/or transportation options. Services vary by retailer.

CORROSION PROTECTION

Saturn vehicles are designed and built to resist corrosion. All body and sheet metal components are warranted against rust-through corrosion for 6 years/100,000 miles, whichever comes first. Application of additional rust-inhibiting materials is not required under the corrosion coverage and none is recommended. See your Saturn retailer for terms of this limited warranty.

AN IMPORTANT NOTE ABOUT ALTERATIONS AND WARRANTIES

Installations or alterations to the original equipment vehicle (or chassis) as distributed by GM are not covered by the GM New Vehicle Limited Warranty. The special body company, assembler, equipment installer or upfitter is solely responsible for warranties on the body or equipment and any alterations (or any effect of the alterations) to any of the parts, components, systems or assemblies installed by GM. GM is not responsible for the safety or quality of design features, materials or workmanship of any alterations by such suppliers.

ASSEMBLY

Saturn vehicles and their components are assembled or produced by different operating units of GM, its subsidiaries or suppliers to GM worldwide. We sometimes find it necessary to produce Saturn vehicles with different or differently sourced components than originally scheduled. Because some options may be unavailable when your vehicle is assembled, we suggest you verify that your vehicle includes the equipment you ordered or, if there are changes, that they are acceptable to you.

ENGINES

Saturn products are equipped with engines produced by GM Powertrain or other suppliers to GM worldwide. The engines in Saturn products may also be used in other GM makes and models.

UPDATED SERVICE INFORMATION

Saturn retailers receive useful service bulletins about Saturn products. See your retailer for more information.

GM MOBILITY

GM Mobility assists people with unique transportation needs by offering a variety of resources, including aftermarket adaptive equipment. Speak to a knowledgeable Assistance Center representative at 1-800-323-9935 (TTY users: 1-800-833-9935) or visit gmmobility.com for more information.

©2006 Saturn Corporation. Saturn and its logo are registered trademarks of Saturn Corporation. VUE is a registered trademark of Saturn Corporation. VUE07MY



Like always. Like never before.™

There is a way to recapture the world's imagination. To make pulses rise and heads turn. To make innovation as basic as breathing, and design more thoughtful. There is a way to stay the same in one way, and evolve in another. To build a car company that doesn't act like a car company. There is a way to treat people like always. There is a way to make cars like never before. Saturn. Like always. Like never before.

